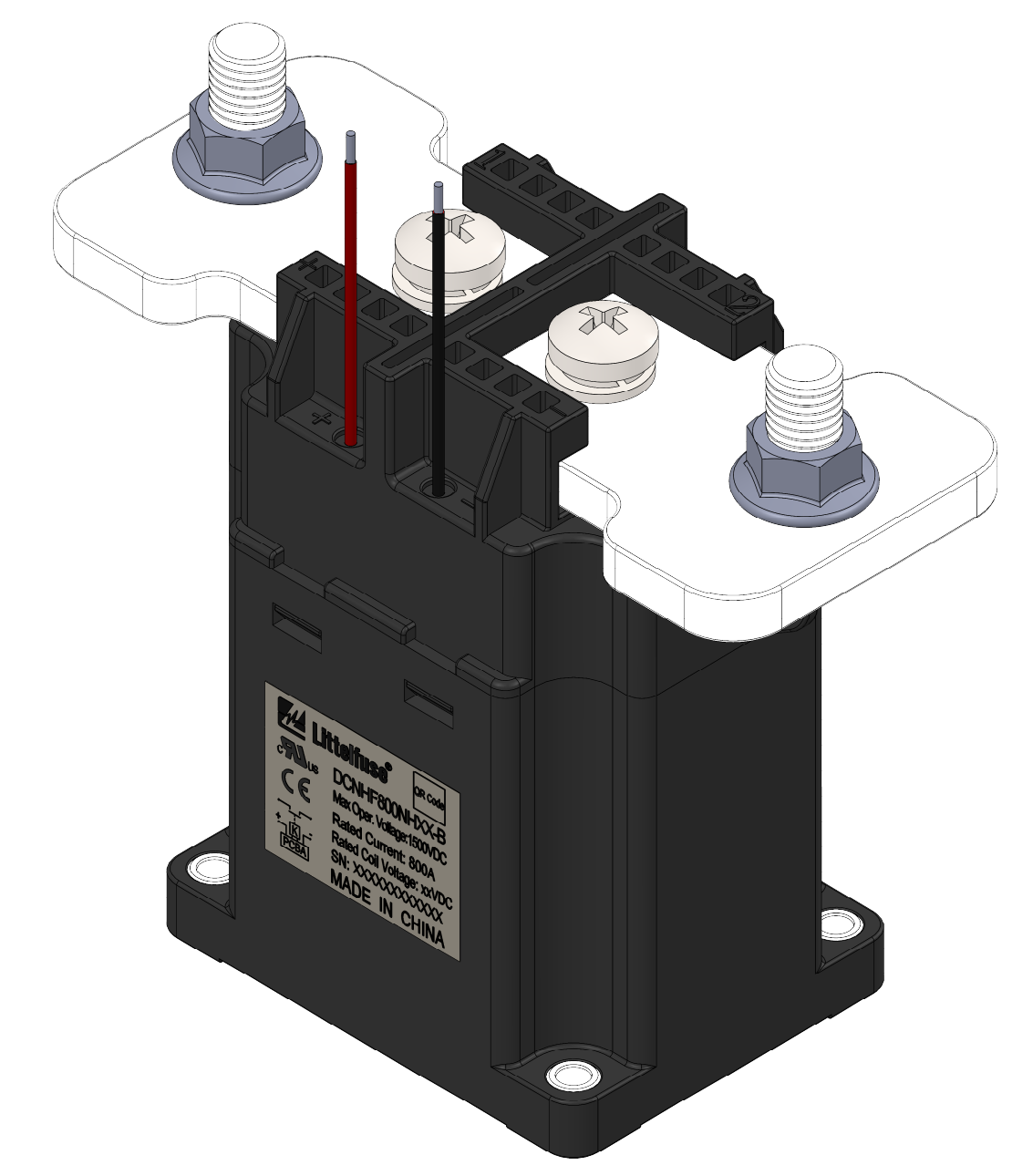
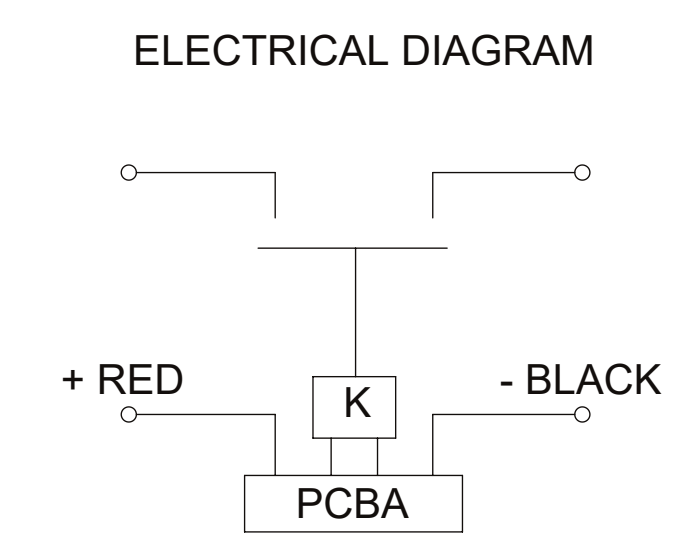
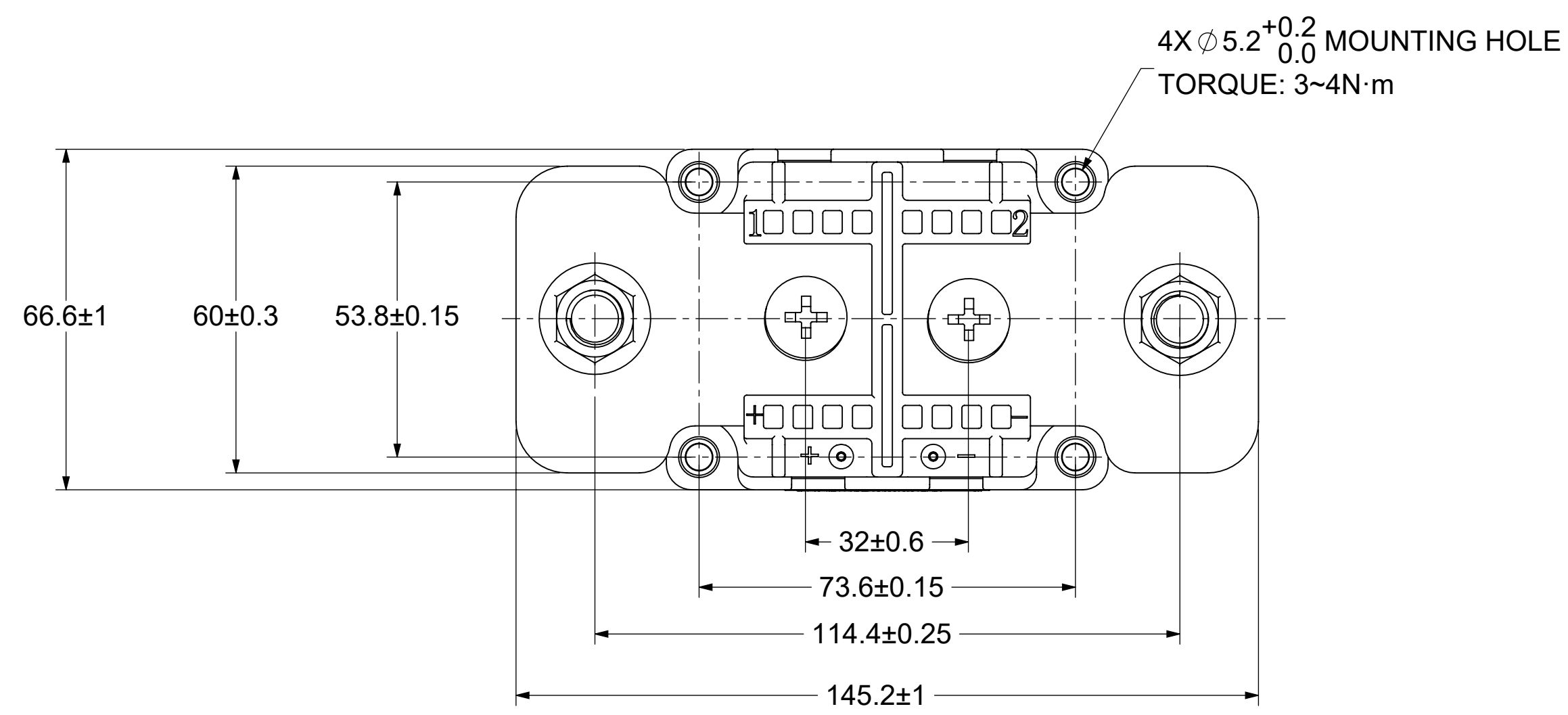


REVISIONS				
ZONE	REV.	DESCRIPTION	DATE	APPROVED
	A	PCO-50000301400 INITIAL RELEASE	5/28/2025	D. ZHANG



- NOTES:
1. ALL SIZES ARE FOR REFERENCE ONLY.
 2. MATERIALS AND FINISHED:
 - 2.1 HOUSING: THERMOPLASTIC PLASTIC, UL94V-0.
 - 2.2 CONTACTS: COPPER ALLOY.
 3. PRODUCT TECHNICAL PARAMETERS: SEE TABLE 1.
 4. MAIN CONTACT ARRANGEMENT: SPST-NO.
 5. CERTIFICATIONS: UL, CE.
 6. RoHS COMPLIANT.
 7. APPROX WEIGHT 1800g.

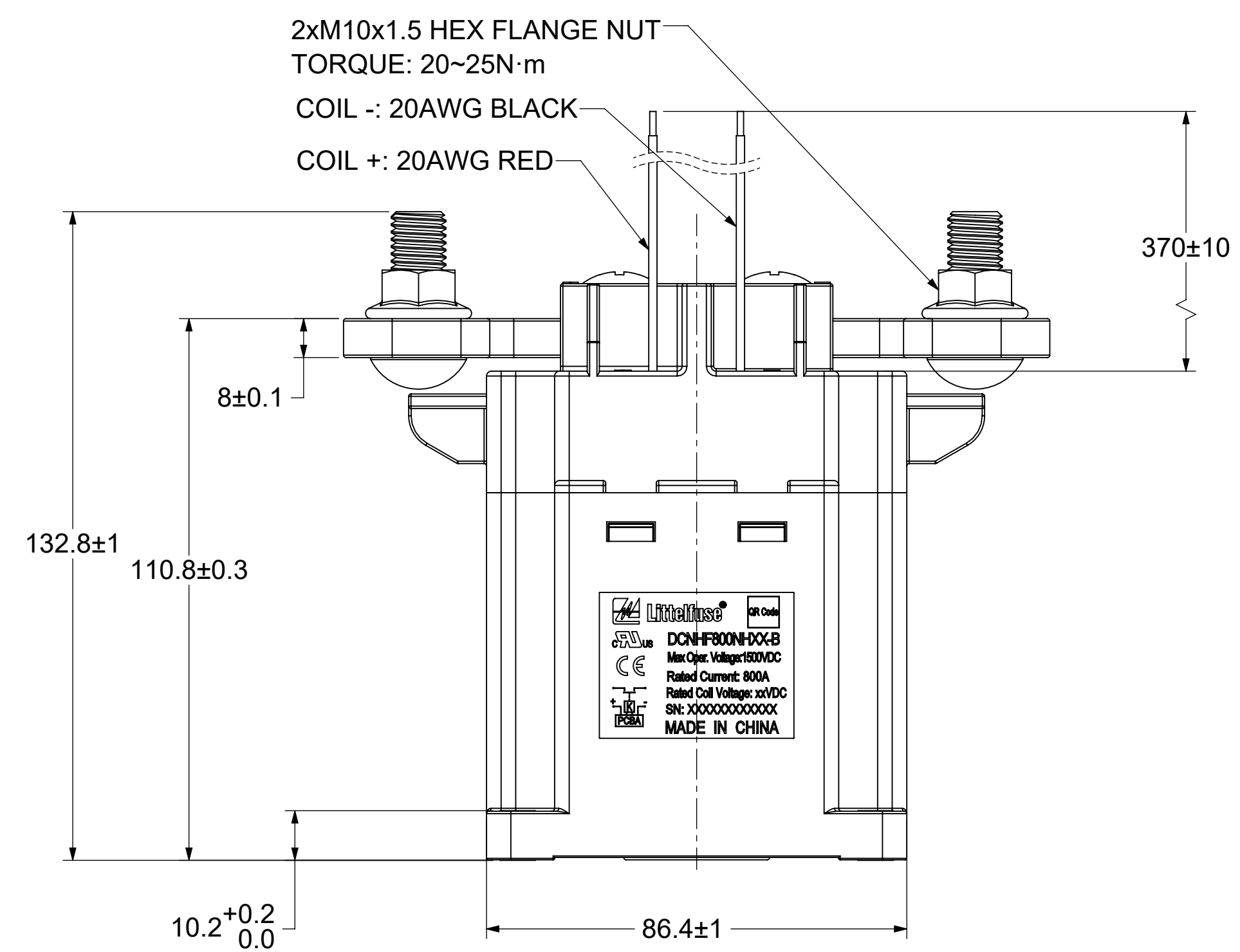


TABLE 1: ENGINEERING DESIGN DATA			
ITEM	DATA		
	DCNHF800NH12-B	DCNHF800NH24-B	
RATED COIL VOLTAGE	12 VDC	24 VDC	
STARTING CURRENT	MAX 4.62A	MAX 2.31A	
STARTING POWER	50W	50W	
HOLDING CURRENT	MAX 0.825A	MAX 0.4125A	
HOLDING POWER	9W	9W	
OPERATING VOLTAGE	OPERATE	MAX 9 VDC	MAX 18 VDC
IN COLD STATE AT 25°C	RELEASE	MIN 1 VDC	MIN 2 VDC
OPERATE TIME	MAX 50ms		
RELEASE TIME	MAX 30ms		
MAIN CONTACT VOLTAGE DROP	160mV@800A		
DIELECTRIC STRENGTH (LEAKAGE CURRENT ≤1 mA)	BETWEEN THE CONTACT AND CONTACT AND COIL: 3000V AC, 50Hz/60Hz, 1min.		
INSULATION RESISTANCE	≥1000MΩ@1000 VDC		
CONTACT VOLTAGE RANGE	12 VDC~1500 VDC		
RATED CONTACT CURRENT	800A		
OPERATING TEMP	-40°C ~ +85°C		
MAX. BREAKING CURRENT	3000A@800VDC, 1CYCLE		
ELECTRICAL LIFE (RESISTIVE LOAD)	600 CYCLES (600A @ 750V DC); 6000 CYCLES (100A @ 1000V DC); 50 CYCLES (300A @ 1500V DC)		
MECHANICAL LIFE	200,000 CYCLES		

DIMENSIONS ARE SHOWN IN MILLIMETERS. DIMENSIONS AND TOLERANCES ARE DEFINED ACCORDING TO ANSI/ASME Y14.5-1994.

- FIT: FUNCTION CRITICAL CHARACTERISTICS
- <S> SAFETY COMPLIANCE CRITICAL CHARACTERISTICS SYMBOL
- CPK DENOTES CPK DIMENSIONS MINIMUM CPK VALUE
- (ST) DENOTES A CHARACTERISTIC THAT PROVIDES AN INDICATION OF PROCESS PERFORMANCE PROCEDURE FOR MEASUREMENT AND TRACKING TO BE DEFINED IN LITTELFUSE INSPECTION INSTRUCTIONS
- CP DENOTES CP DIMENSIONS. MINIMUM CP VALUE MUST BE WITHIN THE DIMENSIONAL LIMITATIONS SHOWN ON DRAWING AND INITIALLY LOCATED TO ALLOW FOR MAXIMUM TOOL LIFE.

NAME	DATE
DRAWN: M. DAN	05/28/2025
CHECKED: D. ZHANG	05/28/2025

FORM NO. CVP-F845-020 REV. A

THIRD ANGLE PROJECTION

DO NOT SCALE DRAWING

Littelfuse
Expertise Applied | Answers Delivered

TITLE: DCNHF 800A CONTACTOR

SCALE: 1:1

REV. A

SHEET 1 OF 1