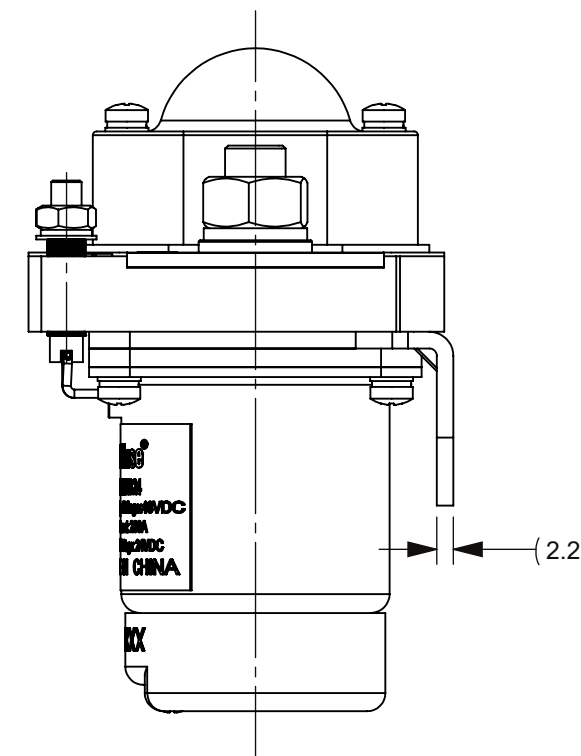
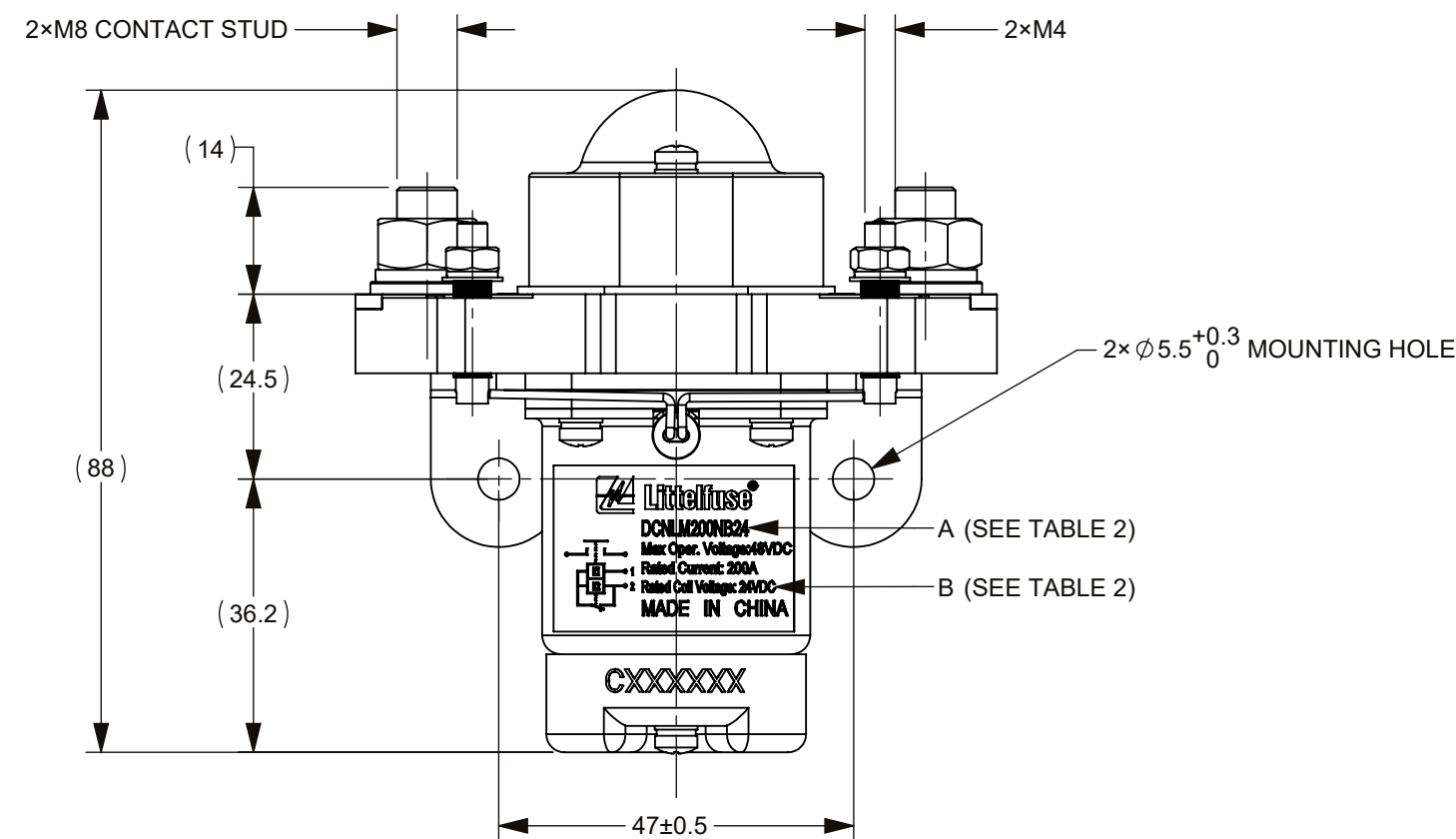
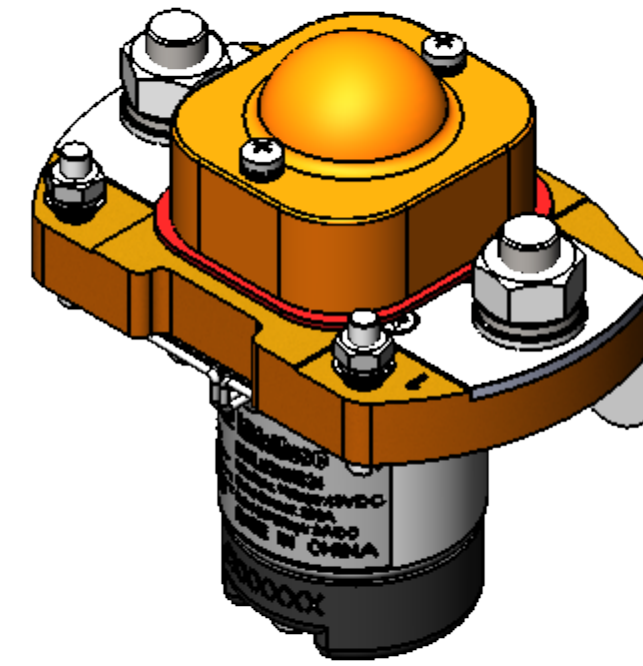
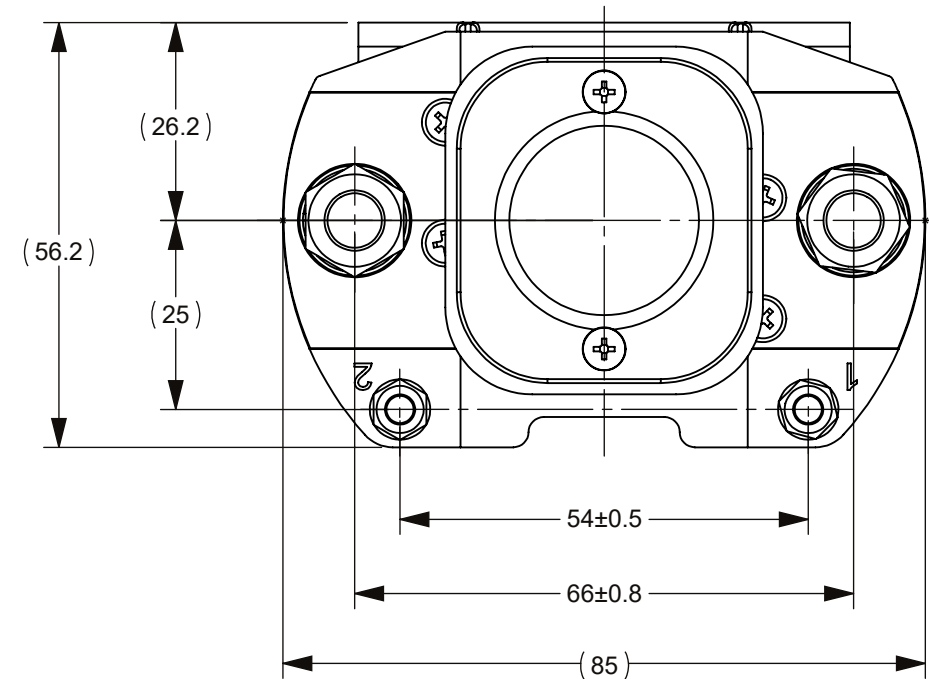


REVISIONS				
ZONE	REV.	DESCRIPTION	DATE	APPROVED
	A	GCF#524228 INITIAL RELEASE	JUL./25/2021	D. ZHANG



CIRCUIT SCHEMATIC DIAGRAM

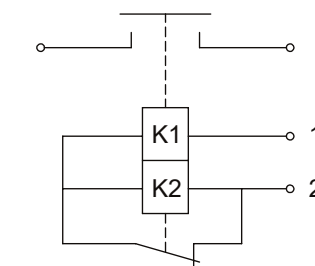


TABLE 1: TECHNICAL PARAMETERS

ITEM	PARAMETER		
	DCNLM200NB12	DCNLM200NB24	DCNLM200NB48
RATED COIL VOLTAGE	12V DC	24V DC	48V DC
HOLD POWER	START POWER	MAX 180W	
	MAINTAIN POWER	MAX 9W	
OPERATING VOLTAGE IN COLD STATE AT (20±5)°C	PICKUP	MAX 8.4V DC	MAX 16.8V DC
	RELEASE	MIN 1V DC	MIN 2V DC
OPERATE TIME	MAX 40ms		
RELEASE TIME	MAX 20ms		
BOUNCE TIME	MAX 5ms		
RATED CONTACT VOLTAGE	48V DC		
MAXIMUM CONTACT VOLTAGE	60V DC		
RATED CONTACT CURRENT	200A		
CONTACT VOLTAGE DROP	≤50mV@100 A		
LIMIT BREAKING ABILITY	4le/5ms,1CYCLES		
DIELECTRIC STRENGTH	1000V AC, 50Hz,1min., LEAKAGE CURRENT ≤1 mA		
INSULATION RESISTANCE	≥2MΩ@500VDC		
ELECTRIC LIFE	6000 CYCLES		
MECHANICAL LIFE	100,000 CYCLES		
WORKING DUTY	CONTINUOUS		

NOTES:

- ALL SIZES ARE FOR REFERENCE ONLY.
- MATERIALS AND FINISHED:
 - 1 BASE: THERMOSETTING PLASTIC, UL94V-0.
 - 2.2 CONTACTS: SILVER ALLOY.
 - 2.3 COIL STUD: COPPER ALLY, SILVER PLATED.
- PRODUCT TECHNICAL PARAMETERS: SEE TABLE 1.
- PRODUCT AND NAMEPLATE(THE CHARACTER CONTENT AT "A" AND "B") CONFIGURATION SEE TABLE 2.
- CONTACT ARRANGEMENT: SPST-NO.
- CONNECTION STUD: M8 STUD, RECOMMENDED TORQUE 9 N•m ~ 11 N•m; M4 STUD, RECOMMENDED TORQUE 1.7 N•m ~ 2.5 N•m.
- MOUNTING: M5 BOLT, RECOMMENDED TORQUE 4 N•m ~ 5 N•m.

TABLE 2

PRODUCT NUMBER	A	B
DCNLM200NB12	DCNLM200NB12	Rated Coil Voltage: 12VDC
DCNLM200NB24	DCNLM200NB24	Rated Coil Voltage: 24VDC
DCNLM200NB48	DCNLM200NB48	Rated Coil Voltage: 48VDC

DIMENSIONS ARE SHOWN IN MILLIMETERS. DIMENSIONS AND TOLERANCES ARE DEFINED ACCORDING TO ANSI/ASME Y14.5-1994.

●	FTI/ FUNCTION CRITICAL CHARACTERISTICS
<S>	SAFETY/ COMPLIANCE CRITICAL CHARACTERISTICS SYMBOL
CPK	DENOTES CPK DIMENSIONS MINIMUM CPK VALUE
(ST)	DENOTES A CHARACTERISTIC THAT PROVIDES AN INDICATION OF PROCESS PERFORMANCE PROCEDURE FOR MEASUREMENT AND TRACKING TO BE DEFINED IN LITTELFUSE INSPECTION INSTRUCTIONS
CP	DENOTES CP DIMENSIONS. -MINIMUM CP VALUE MUST BE WITHIN THE DIMENSIONAL LIMITATIONS SHOWN ON DRAWING AND INITIALLY LOCATED TO ALLOW FOR MAXIMUM TOOL LIFE

NAME	DATE	 Expertise Applied Answers Delivered
DRAWN: MJ. DAI	JUL./25/2021	
CHECKED: J. LI	JUL./30/2021	TITLE
		DCNLM 200A 48V CONTACTOR
FORM NO.: CVP-PE40-0005 REV B		SIZE: C
THIRD ANGLE PROJECTION		DWG. NO.: OL-DCNLM200NB CHART
DO NOT SCALE DRAWING		SCALE: 1:1
		REV. A
		SHEET 1 OF 1