

# 150HV Series

## Heavy Duty In-line Holder for 3AB/AG



### Product Characteristics

|                            |   |
|----------------------------|---|
| <b>Compatible Fuses</b>    | 3AB/AG Fuses  |
| <b>Electrical</b>          | Intended for use at 600 VAC/DC max rated up to 20 amperes.*   |
| <b>Molded Parts</b>        | Body and knob are Black Thermoset (UL94 V-0). Both body and knob have a 0.20" diameter hole for insulated wire. |
| <b>Knob</b>                | Bayonet-lock type metal insert.   |
| <b>Ambient Temperature</b> | -40°C to + 85°C   |
| <b>Contact Rivet</b>       | Brass. Tin plated   |
| <b>Assembled</b>           | Supplied with 19" loop of #14 AWG red vinyl insulated wire  |

**Notes:**  
\* Refer to [Fuseology](#) for information on proper fuseholder re-rating.

### Additional Information



Resources

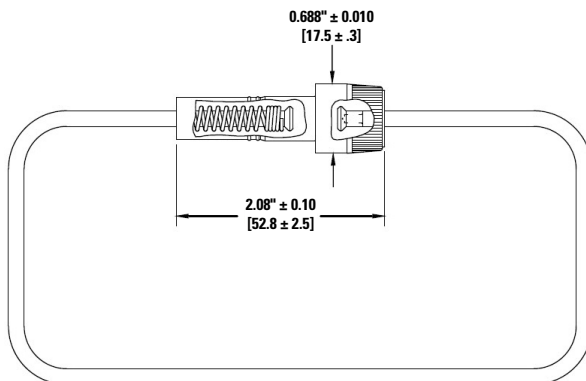


Accessories



Samples

### 19" Loop of 14 AWG Stranded Cu Wire



**Warning:** Electrical Shock. Power must be disconnected prior to handling fuse.

### Agency Approval

| Agency | Agency File Number |
|--------|--------------------|
| cULUS  | E14721*            |

**Notes:**  
\* cULus for 150603 only

### Ordering Information

| Ordering Number | Catalog Number | Cable Color | Fuse Size | Packaging       |
|-----------------|----------------|-------------|-----------|-----------------|
| 01500603Z       | 150603         | Red         | ¼" x 1 ¼" | Bulk 100 Pieces |
| 01500604Z       | 150604         | Black       | ¼" x 1 ¼" | Bulk 100 Pieces |

**Notes:**  
For different wire insulation color and length contact LF team.

**Disclaimer Notice** - Information furnished is believed to be accurate and reliable. However, users should independently evaluate the suitability of and test each product selected for their own applications. Littelfuse products are not designed for, and may not be used in, all applications. Read complete Disclaimer Notice at: [www.littelfuse.com/disclaimer-electronics](http://www.littelfuse.com/disclaimer-electronics).