

Specification Status: Released

Marking:

XX 60 R 20 HB

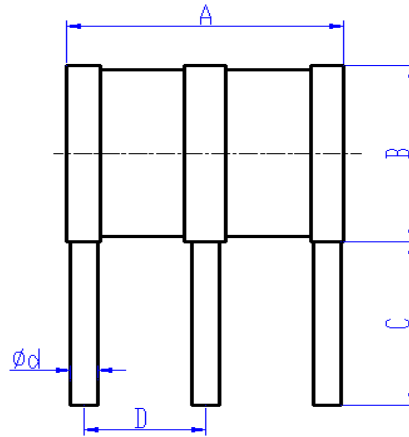
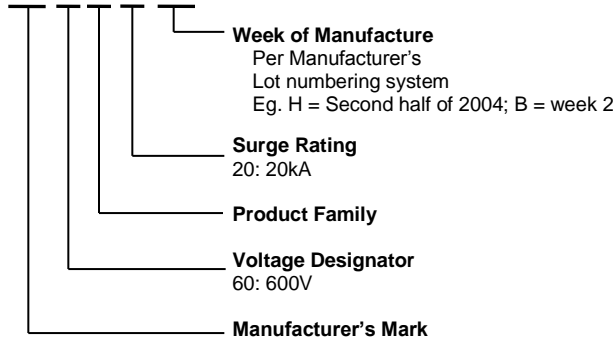


TABLE I. DIMENSIONS

| A | | B | | C | | D | | Ød | |
|------|---------|---------|---------|---------|---------|---------|---------|---------|---------|
| MIN | MAX | MIN | MAX | MIN | MAX | MIN | MAX | NOM | |
| mm: | 9.7 | 10.3 | 7.3 | 7.7 | 6.5 | 7.5 | 4.1 | 4.7 | 1.0 |
| in*: | (0.382) | (0.406) | (0.287) | (0.303) | (0.256) | (0.295) | (0.161) | (0.185) | (0.039) |

*Rounded off approximation

TABLE II. Electrical Characteristics (Terms and tests in accordance with ITU-T K.12)

| DC Sparkover Voltage | Impulse Sparkover Voltage | | Insulation Resistance | Capacitance | Impulse Discharge Current 8/20µs | AC Discharge Current, 50 Hz |
|----------------------|---------------------------|-----------|-----------------------|-------------|----------------------------------|--------------------------------------|
| (A-E) (B-E) | (A-E) (B-E) | | | | (A+B-E) | (A+B-E) |
| @ 100V/s | @100V/µs | @1000V/µs | @250V _{DC} | @1MHz | 10 hits(5hits for each polarity) | Multiple Hits (1s duration: 10 Hits) |
| 600V ± 20% | ≤1300V | ≤1400V | ≥ 10,000MΩ | <1.0pF | 20kA | 20Arms |

General Characteristics:

- No Radioactive Materials
- Storage temperature: -40°C ... +90°C
- Operating temperature : -40°C ... +90°C
- Electrode Material: Ni Plating
- Lead Material: Tin Plated
- Agency Recognitions: UL497B Recognized (File# E179610)
- Precedence: This specification takes precedence over documents referenced herein
- Effectivity: Reference documents shall be the issue in effect on the date of invitation for bid
- CAUTION: Operation beyond the rated voltage or current may result in rupture, electrical arcing or flame

Materials Information

ROHS Compliant

Directive 2002/95/EC Compliant

ELV Compliant

Directive 2000/53/EC Compliant

Pb-Free





Expertise Applied | Answers Delivered

Gas Discharge Tube

Over-Voltage Protection Device

PRODUCT: GTCR38-601M-R20

DOCUMENT: SCD28627
REV LETTER: A
REV DATE: JULY 26,2016
PAGE NO.: 2 of 2

littelfuse products are not designed for, and shall not be used for, any purpose (including, without limitation, automotive, military, aerospace, medical, life-saving, life-sustaining or nuclear facility applications, devices intended for surgical implant into the body, or any other application in which the failure or lack of desired operation of the product may result in personal injury, death, or property damage) other than those expressly set forth in applicable Littelfuse product documentation. Warranties granted by Littelfuse shall be deemed void for products used for any purpose not expressly set forth in applicable Littelfuse documentation. Littelfuse shall not be liable for any claims or damages arising out of products used in applications not expressly intended by Littelfuse as set forth in applicable Littelfuse documentation. The sale and use of Littelfuse products is subject to Littlefuse Terms and Conditions of Sale, unless otherwise agreed by Littelfuse