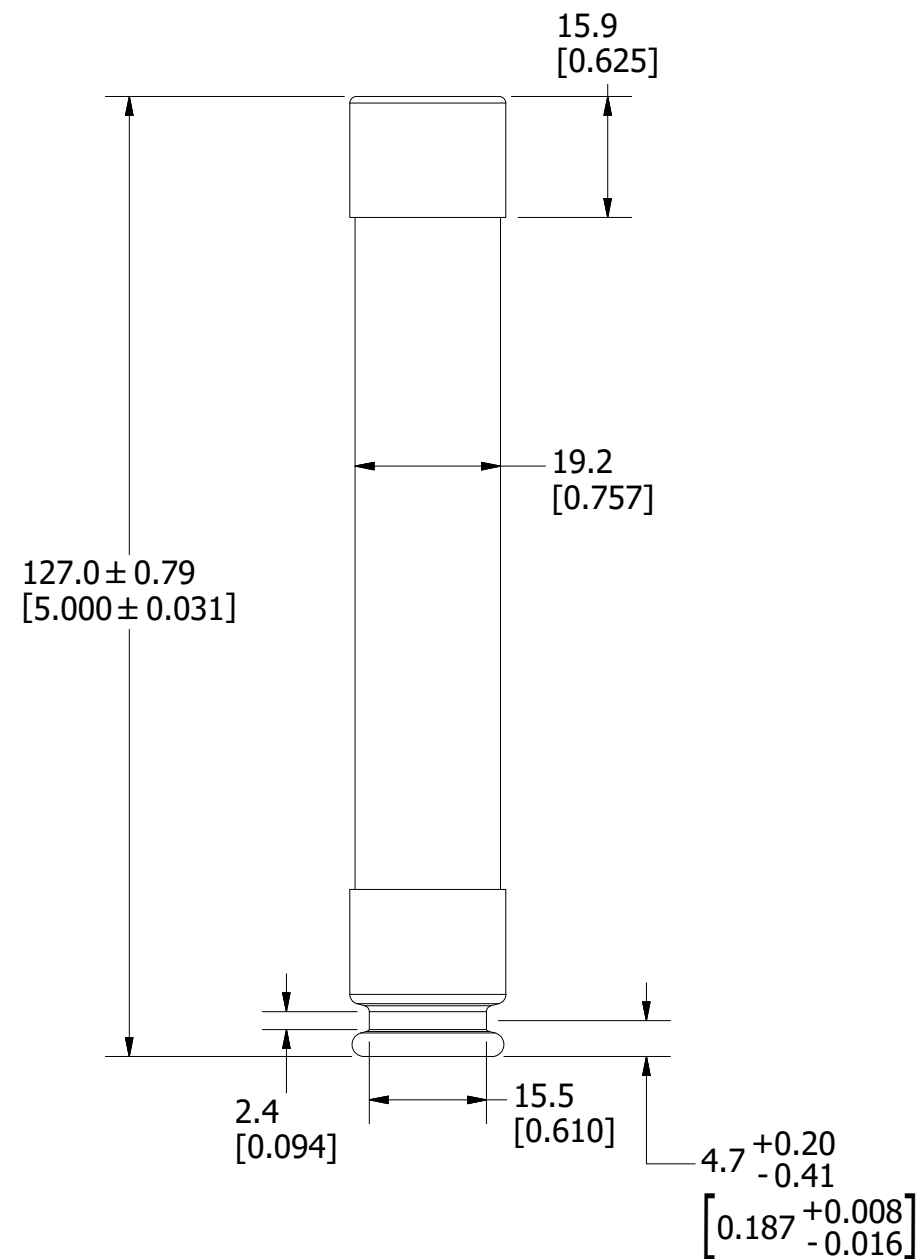
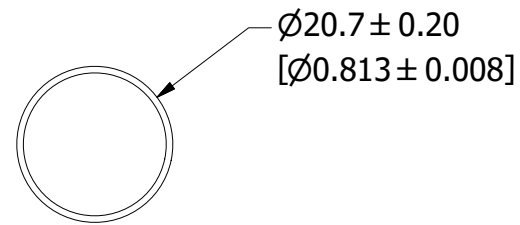


| REVISION | | |
|----------|---------|-------------------------|
| REV | DATE | DESCRIPTION |
| A | 6/15/21 | 523808GCP - RELEASE MRY |



APPROXIMATE SHIPPING WEIGHT: 10 FUSES = 1.72 LB

| | |
|-----|--|
| <S> | CRITICAL CHARACTERISTIC FOR PART SAFETY/COMPLIANCE |
| ● | DENOTES CRITICAL CHARACTERISTICS. |
| CPK | DENOTES CPK DIMENSIONS, -MINIMUM CPK VALUE |
| ⊠ | DENOTES A CHARACTERISTIC THAT PROVIDES AN INDICATION OF PROCESS PERFORMANCE. PROCEDURE FOR MEASUREMENT AND TRACKING TO BE DEFINED IN LITTELFUSE INSPECTION INSTRUCTIONS. |
| CP | DENOTES CP DIMENSIONS, -MINIMUM CP VALUE MUST BE WITHIN THE DIMENSIONAL LIMITATIONS SHOWN ON DRAWING AND INITIALLY LOCATED TO ALLOW FOR MAXIMUM TOOL LIFE. |

B

| | | | |
|--------------|------------------|--------------|-------------------------------|
| MATL SPEC | | FINISH | |
| DRW myork | DATE 6/7/2021 | SCALE NTS | FINISH GOOD WT GRAMS/PIECE |

UNLESS OTHERWISE SPECIFIED, DIMENSIONS ARE IN MILLIMETERS, DIMENSIONS IN BRACKETS [] ARE INCHES DIMENSIONING AND DO NOT INCLUDE PLATING. TOLERANCING TO BE INTERPRETED IN ACCORDANCE WITH ANSI Y14.5M-1994

| | |
|----------------------|--|
| 3RD ANGLE PROJECTION | |
|----------------------|--|

| | |
|-------|-------------------------|
| TITLE | IDSR 1/10-8/10A OUTLINE |
|-------|-------------------------|

| | | | |
|--|----------------------|--------------------------------|--------------|
| Littelfuse CHICAGO, ILLINOIS 60631 | REVISION A | DRWG NO. OL-IDSR.800 | SHEET 1 OF 1 |
|--|----------------------|--------------------------------|--------------|