

# LF2103N

## Half-Bridge Gate Driver

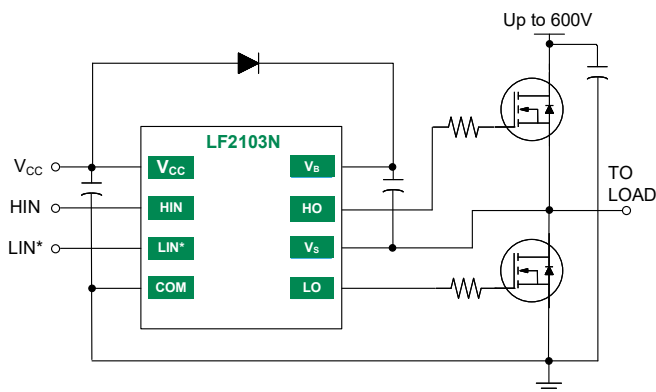
### Features

- Floating high-side driver in bootstrap operation to 600V
- Drives two N-channel MOSFETs or IGBTs in a half bridge configuration
- Designed for enhanced performance in noisy motor applications
- 290mA source/600mA sink output current capability
- Outputs tolerant to negative transients
- Internal dead time of 420ns to protect MOSFETs
- Wide low side gate driver supply voltage: 10V to 20V
- Logic input (HIN and LIN\*) 3.3V capability
- Schmitt triggered logic inputs
- Under Voltage Lockout (UVLO) for  $V_{CC}$  and  $V_{BS}$
- Extended temperature range: -40°C to +125°C

### Applications

- Motor Controls
- DC-DC Converters
- AC-DC Inverters
- Motor Drives

### Typical Application



### Description

The LF2103N is a high voltage, high speed gate driver capable of driving N-channel MOSFETs and IGBTs in a half bridge configuration. The high voltage technology enables the LF2103N high side to switch to 600V in a bootstrap operation.

LF2103N logic inputs are compatible with standard TTL and CMOS levels (down to 3.3V) to interface easily with controlling devices. The driver outputs feature high pulse current buffers designed for minimum driver cross conduction. LF2103N has a fixed internal deadtime of 420ns (typical).

LF2103N is offered in SOIC(N)-8 package and operates over the extended temperature range of -40 °C to +125 °C .



SOIC(N)-8

### Ordering Information

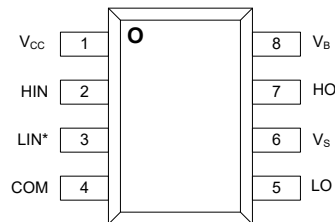
Year Year Week Week

Part#	Package	Pack / Qty	Mark
LF2103NTR	SOIC(N)-8	T&R / 2500	YYWW LF2103N LOT ID



## 1 Specifications

### 1.1 Pin Diagrams



**Top View: SOIC(N)-8**

**LF2103N**

### 1.2 Pin Descriptions

Pin#	Pin Name	Pin Type	Pin Description
1	V <sub>CC</sub>	Power	Logic and low side supply
2	HIN	Input	Logic input for high-side gate driver output in phase with HO
3	LIN*	Input	Logic input for low-side gate driver output out of phase with LO
4	COM	Power	Low-side and logic return
5	LO	Output	Low-side gate drive output
6	V <sub>S</sub>	Power	High-side floating supply return
7	HO	Output	High-side gate drive output
8	V <sub>B</sub>	Power	High-side floating supply

### 1.3 Absolute Maximum Ratings

Parameter	Symbol	Min	Max	Unit
High side floating supply voltage	$V_B$	-0.3	+624	V
High side floating supply offset voltage	$V_S$	$V_B-24$	$V_B+0.3$	V
High side floating output voltage	$V_{HO}$	$V_S-0.3$	$V_B+0.3$	V
Offset supply voltage transient	$dV_S/dt$	--	50	V/ns
Low side fixed supply voltage	$V_{CC}$	-0.3	+24	V
Low side output voltage	$V_{LO}$	-0.3	$V_{CC}+0.3$	V
Logic input voltage (HIN and LIN*)	$V_{IN}$	-0.3	$V_{CC}+0.3$	V
Package power dissipation	$P_D$	--	0.625	W
Junction Operating Temperature	$T_J$	--	+150	°C
Storage Temperature	$T_{STG}$	-55	+150	°C

Unless otherwise specified all voltages are referenced to COM. All electrical ratings are at  $T_A = 25^\circ\text{C}$

Stresses beyond those listed under "Absolute Maximum Ratings" may cause permanent damage to the device. These are stress ratings only, and functional operation of the device at these or any other conditions beyond those indicated in the operational sections of the specifications is not implied. Exposure to absolute maximum rating conditions for extended periods may affect device reliability.

### 1.4 Thermal Characteristics

Parameter	Symbol	Rating	Unit
Junction to ambient	$\theta_{JA}$	200	°C/W

When mounted on a standard JEDEC 2-layer FR-4 board - JESD51-3

### 1.5 Recommended Operating Conditions

Parameter	Symbol	Min	Max	Unit
High side floating supply absolute voltage	$V_B$	$V_S + 10$	$V_S + 20$	V
High side floating supply offset voltage	$V_S$	<b>NOTE1</b>	600	V
High side floating output voltage	$V_{HO}$	$V_S$	$V_B$	V
Low side fixed supply voltage	$V_{CC}$	10	20	V
Low side output voltage	$V_{LO}$	0	$V_{CC}$	V
Logic input voltage (HIN and LIN*)	$V_{IN}$	0	5	V
Ambient temperature	$T_A$	-40	125	°C

Unless otherwise specified all voltages are referenced to COM

**NOTE1** High-side driver remains operational for  $V_S$  transients down to -5V

### 1.6 DC Electrical Characteristics

$V_{CC} = V_{BS} = 15V$ ,  $T_A = 25^\circ C$  and  $V_{COM} = 0V$ , unless otherwise specified.

The  $V_{IH}$  and  $I_{IH}$  parameters are applicable to both logic input pins: HIN and LIN\*. The  $V_O$  and  $I_O$  parameters are applicable to the respective output pins: HO and LO and are referenced to COM

Parameter	Symbol	Conditions	Min	Typ	Max	Unit
Logic "1" input voltage	$V_{IH}$	$V_{CC} = 10V$ to $20V$ <b>NOTE2</b>	2.5	--	--	V
Logic "0" input voltage	$V_{IL}$		--	--	0.8	
Logic input voltage hysteresis	$V_{IN(HYS)}$	--	--	0.3	--	
High level output voltage, $V_{BIAS} - V_O$	$V_{OH}$	$I_O = 2mA$	--	0.05	0.2	
Low level output voltage, $V_O$	$V_{OL}$	$I_O = 2mA$	--	0.02	0.1	
Offset supply leakage current	$I_{LK}$	$V_B = V_S = 600V$	--	--	50	$\mu A$
Quiescent $V_{BS}$ supply current	$I_{BSQ}$	$V_{IN} = 0V$ or $5V$	--	60	100	
Quiescent $V_{CC}$ supply current	$I_{CCQ}$	$V_{IN} = 0V$ or $5V$	--	350	500	
Logic "1" input bias current	$I_{HIN+}$	$V_{IN} = 5V$	--	3	10	
	$I_{LIN*+}$			--	5	
Logic "0" input bias current	$I_{HIN-}$	$V_{IN} = 0V$	--	--	5	
	$I_{LIN*-}$			3	10	
$V_{CC}$ UVLO off positive going threshold	$V_{CCUV+}$	--	8.0	8.9	9.8	V
$V_{CC}$ UVLO enable negative going threshold	$V_{CCUV-}$	--	7.4	8.2	9.0	
$V_{CC}$ UVLO hysteresis	$V_{CCUV(HYS)}$	--	--	0.7	--	
$V_{BS}$ UVLO off positive going threshold	$V_{BSUV+}$	--	4.5	5.5	6.5	
$V_{BS}$ UVLO enable negative going threshold	$V_{BSUV-}$	--	4.2	5.2	6.2	
$V_{BS}$ UVLO hysteresis	$V_{BSUV(HYS)}$	--	--	0.3	--	
Output high short circuit pulsed current	$I_{O+}$	$V_O = 0V$ , $t \leq 10 \mu s$	130	290	--	mA
Output low short circuit pulsed current	$I_{O-}$	$V_O = 15V$ , $t \leq 10 \mu s$	270	600	--	

**NOTE2** For optimal operation, it is recommended the input pulse (to HIN and LIN\*) should have a minimum amplitude of 2.5V a minimum pulse width of 840ns.

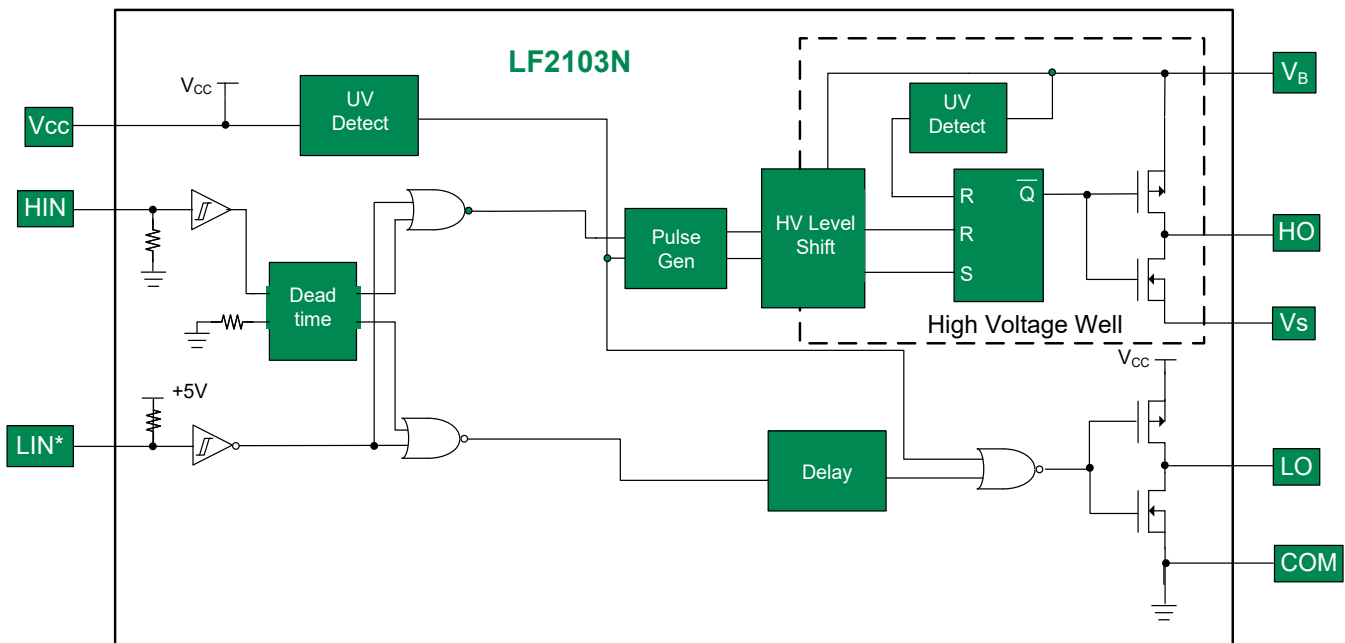
### 1.7 AC Electrical Characteristics

$V_{CC}=V_{BS}=15V$ ,  $C_L=1000pF$ , and  $T_A=25\text{ }^\circ\text{C}$ , unless otherwise specified.

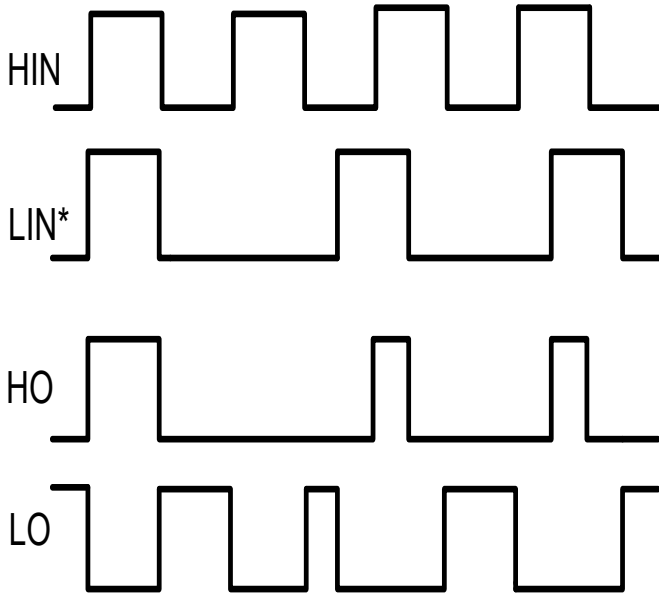
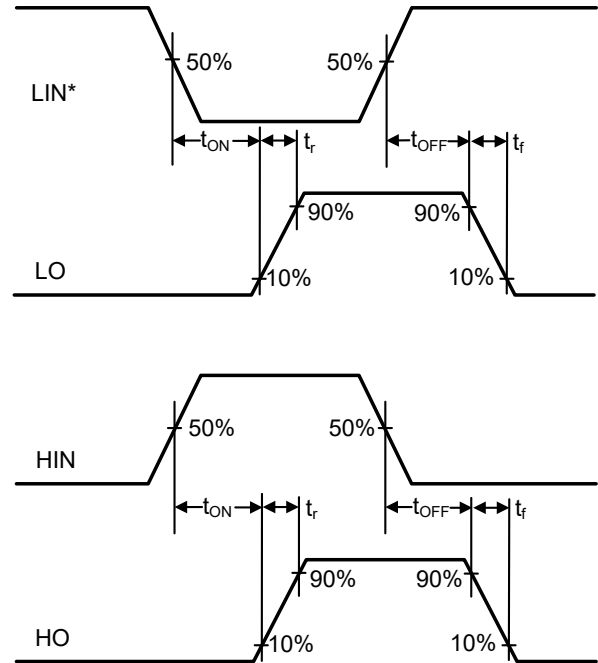
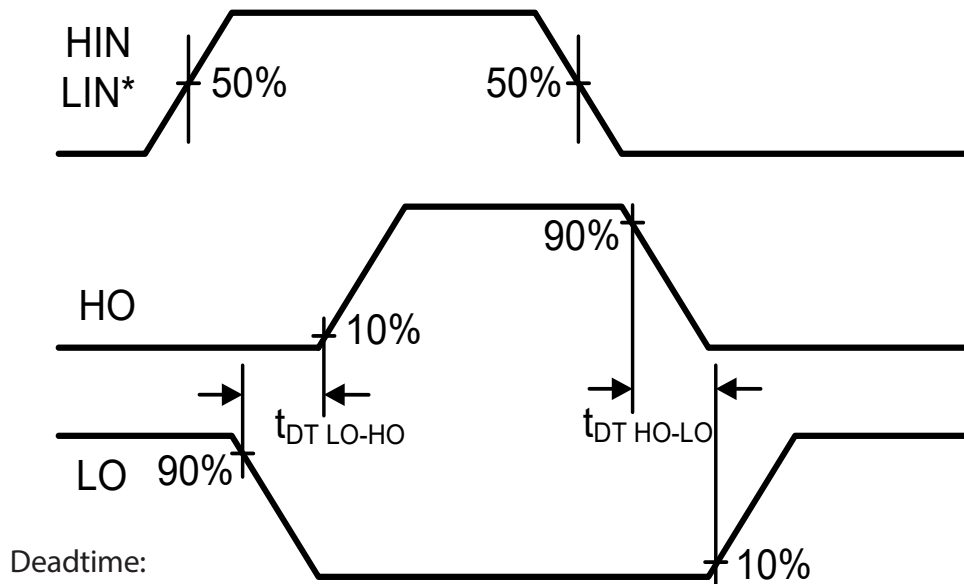
Parameter	Symbol	Conditions	Min	Typ	Max	Unit
Turn-on propagation delay	$t_{on}$	$V_S=0V$	--	680	820	ns
Turn-off propagation delay	$t_{off}$	$V_S=600V$	--	150	220	
Propagation delay matching, HO & LO turn-on/turn-off	$t_{DM}$	--	--	--	60	
Turn-on rise time	$t_r$	$V_S=0V$	--	70	170	
Turn-off fall time	$t_f$		--	35	90	
Deadtime: $t_{DT\ LO-HO}$ & $t_{DT\ HO-LO}$	$t_{DT}$	--	300	420	650	
Deadtime Matching	$t_{DT\ MT}$	--	--	--	60	

## 2 Functional Description

### 2.1 Functional Block Diagram



## 2.2 Timing Waveforms

**Figure 1. Input / Output Logic Diagram**

**Figure 2. Input-to-Output delay timing diagram**

**Figure 3. Deadtime Waveform Diagram**


Deadtime:

$$t_{DT\ LO-HO} = t_{ON\ HO} - t_{OFF\ LO}$$

$$t_{DT\ HO-LO} = t_{ON\ LO} - t_{OFF\ HO}$$

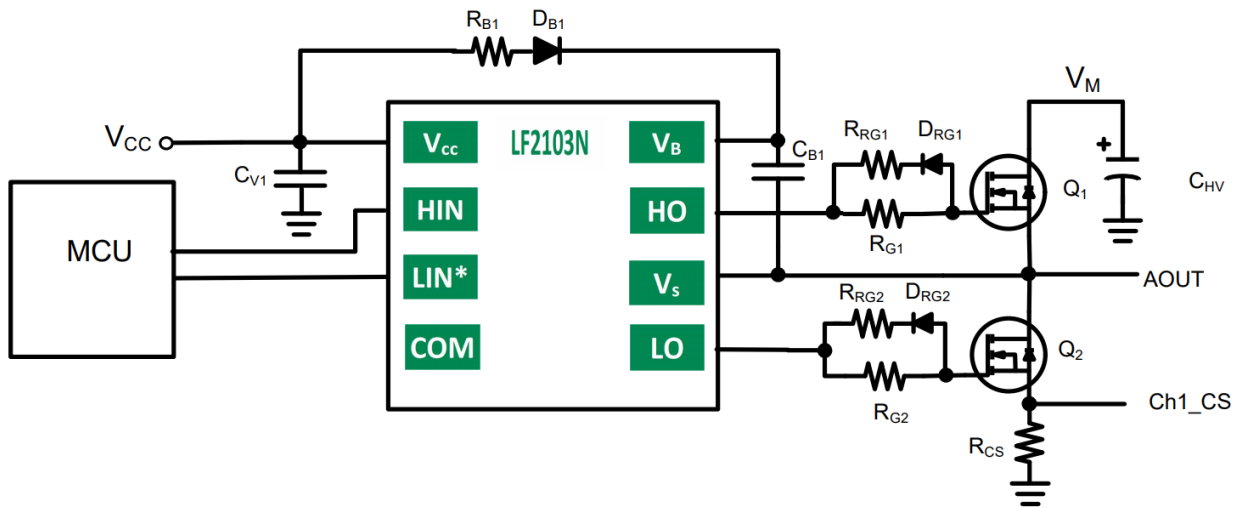
$$\text{Deadtime Matching: } t_{DT\ MT} = |t_{DT\ LO-HO} - t_{DT\ HO-LO}|$$

Delay Matching:

$$t_{DM\ OFF} = |t_{OFF\ LO} - t_{OFF\ HO}|$$

$$t_{DM\ ON} = |t_{ON\ LO} - t_{ON\ HO}|$$

### 2.3 Application Information



**Figure 4.** Single phase (of four) for Stepper motor driver application using the LF2103N

- RRG1 and RRG2 values are typically between  $0\Omega$  and  $10\Omega$ , exact value decided by MOSFET junction capacitance and drive current of gate driver;  $10\Omega$  is used in this example.
- It is **highly recommended** that the input pulse (to HIN and LIN\*) should have a minimum amplitude of  $2.5V$  (for  $V_{CC}=15V$ ) with a minimum pulse width of  $840ns$ .
- RG1 and RG2 values are typically between  $20\Omega$  and  $100\Omega$ , exact value decided by MOSFET junction capacitance and drive current of gate driver;  $50\Omega$  is used in this example.
- RB1 value is typically between  $3\Omega$  and  $20\Omega$ , exact value depending on bootstrap capacitor value and amount of current limiting required for bootstrap capacitor charging;  $10\Omega$  is used in this example. Also DB should be an ultra fast diode of  $1A$  rating minimum and voltage rating greater than system operating voltage.



### 3 Manufacturing Information

#### 3.1 Moisture Sensitivity



All plastic encapsulated semiconductor packages are susceptible to moisture ingress. Littelfuse Integrated Circuits Division classified all of its plastic encapsulated devices for moisture sensitivity according to the latest version of the joint industry standard, **IPC/JEDEC J-STD-020**, in force at the time of product evaluation. We test all of our products to the maximum conditions set forth in the standard, and guarantee proper operation of our devices when handled according to the limitations and information in that standard as well as to any limitations set forth in the information or standards referenced below.

Failure to adhere to the warnings or limitations as established by the listed specifications could result in reduced product performance, reduction of operable life, and/or reduction of overall reliability.

This product carries a **Moisture Sensitivity Level (MSL)** rating as shown below, and should be handled according to the requirements of the latest version of the joint industry standard **IPC/JEDEC J-STD-033**.

Device	Moisture Sensitivity Level (MSL) Classification
LF2103N	MSL3

#### 3.2 ESD Sensitivity



This product is **ESD Sensitive**, and should be handled according to the industry standard **JESD-625**.

#### 3.3 Reflow Profile

Provided in the table below is the IPC/JEDEC J-STD-020 Classification Temperature ( $T_c$ ) and the maximum dwell time the body temperature of these surface mount devices may be ( $T_c - 5$ )°C or greater. The Classification Temperature sets the Maximum Body Temperature allowed for these devices during reflow soldering processes.

Device	Classification Temperature ( $T_c$ )	Dwell Time ( $t_p$ )	Max Reflow Cycles
LF2103N	260°C	30 seconds	3

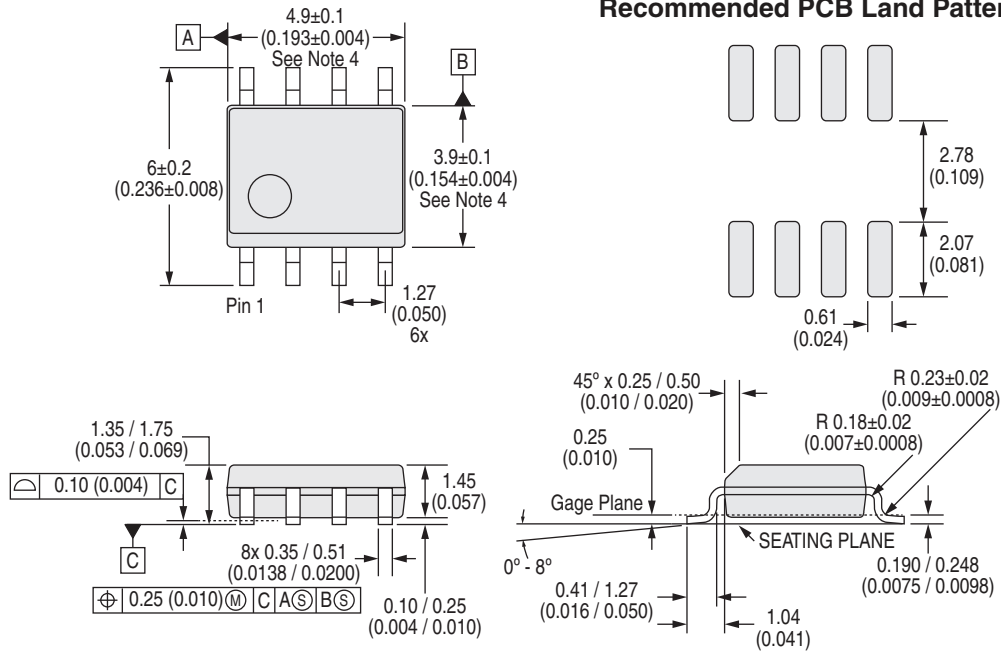


### 3.4 Board Wash

Littelfuse recommends the use of no-clean flux formulations. Board washing to reduce or remove flux residue following the solder reflow process is acceptable provided proper precautions are taken to prevent damage to the device. These precautions include but are not limited to: using a low pressure wash and providing a follow up bake cycle sufficient to remove any moisture trapped within the device due to the washing process. Due to the variability of the wash parameters used to clean the board, determination of the bake temperature and duration necessary to remove the moisture trapped within the package is the responsibility of the user (assembler). Cleaning or drying methods that employ ultrasonic energy may damage the device and should not be used. Additionally, the device must not be exposed to halide flux or solvents.



### 4 Package Dimensions: SOIC(N)-8



- Notes: (Unless otherwise specified)
1. Controlling dimension: millimeters.
  2. All dimensions are in mm (inches).
  3. Reference JEDEC registration MS-012, variation AA.
  4. Not including mold flash, protrusion, or gate burrs  
0.15 (0.006) maximum per end.

**Dimensions:**  
Minimum / Maximum

### Important Notice

Disclaimer Notice - Information furnished is believed to be accurate and reliable. However, users should independently evaluate the suitability of and test each product selected for their own applications. Littelfuse products are not designed for, and may not be used in, all applications. Read complete Disclaimer Notice at <https://www.littelfuse.com/disclaimer-electronics>.

Specification: DS-LF2103N-R01  
©Copyright 2021, Littelfuse, Inc.  
All rights reserved.  
Printed in USA.  
09 / 30 / 2021