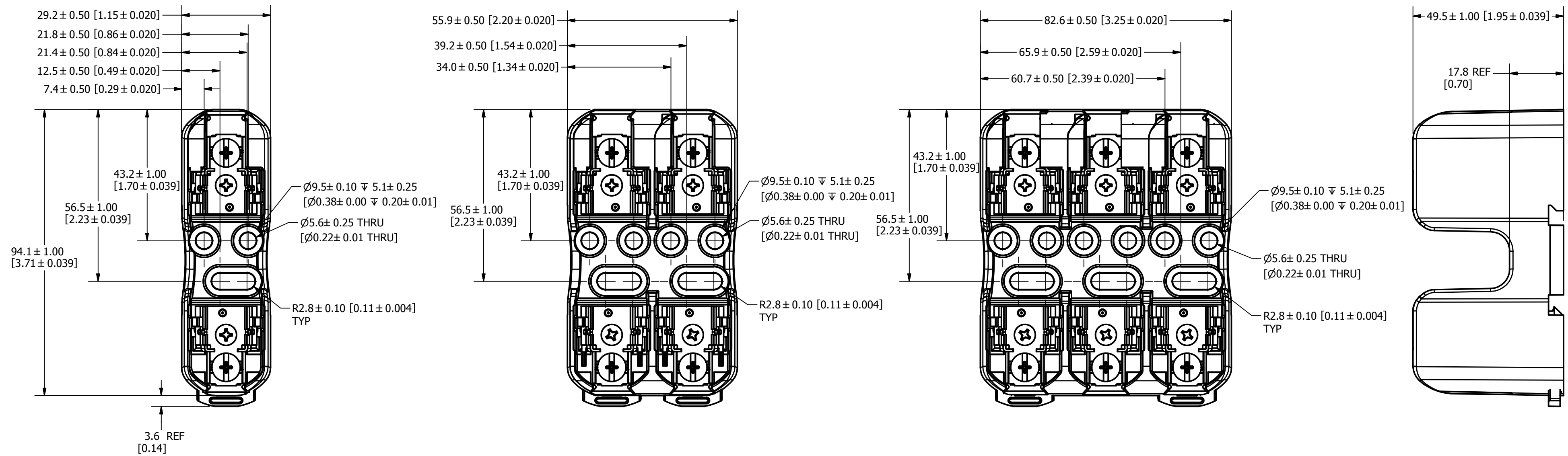


REVISION		
REV	DATE	DESCRIPTION
A	3/21/2011	50186SERP - RELEASE MRY
B	6/11/2015	514412ECP/D - ADD DIMENSION TOLERANCES MRY



SPECIFICATIONS:

- VOLTAGE RATING:** 600V
- AMPERE RATING:** 30 AMPERES
- INTERRUPT RATING:** 200kA
- TERMINAL TYPE:** SCREW
- SUGGESTED TORQUE:** 2.8 N-m (25 IN-LBS)
- WIRE RANGE:** 10 -22 AWG Cu ONLY
SOLID/STRANDED
- APPROVALS:** UL LISTED (FILE NO. E14721)
CSA CERTIFIED (FILE NO. LR7316)

●	DENOTES CRITICAL CHARACTERISTICS.		
CPK	DENOTES CPK DIMENSIONS, -MINIMUM CPK VALUE		
(ST)	DENOTES A CHARACTERISTIC THAT PROVIDES AN INDICATION OF PROCESS PERFORMANCE. PROCEDURE FOR MEASUREMENT AND TRACKING TO BE DEFINED IN LITTELFUSE INSPECTION INSTRUCTIONS.		
CP	DENOTES CP DIMENSIONS, -MINIMUM CP VALUE. MUST BE WITHIN THE DIMENSIONAL LIMITATIONS SHOWN ON DRAWING AND INITIALLY LOCATED TO ALLOW FOR MAXIMUM TOOL LIFE.		
MATL SPEC		FINISH	
DRW MYORK	DATE 3/21/2011	SCALE NTS	FINISH GOOD WT GRAMS/PIECE
UNLESS OTHERWISE SPECIFIED, DIMENSIONS ARE IN MILLIMETERS, DIMENSIONS IN BRACKETS [] ARE INCHES DIMENSIONING AND DO NOT INCLUDE PLATING. TOLERANCING TO BE INTERPRETED IN ACCORDANCE WITH ANSI Y14.5M-1994			
3RD ANGLE PROJECTION			
TITLE LFJ60030-SID SERIES OUTLINE			
Littelfuse DES PLAINES, ILLINOIS 60016		REVISION B	DRWG NO. OL-LFJ60030SID
		SHEET 1 OF 1 SERIES	