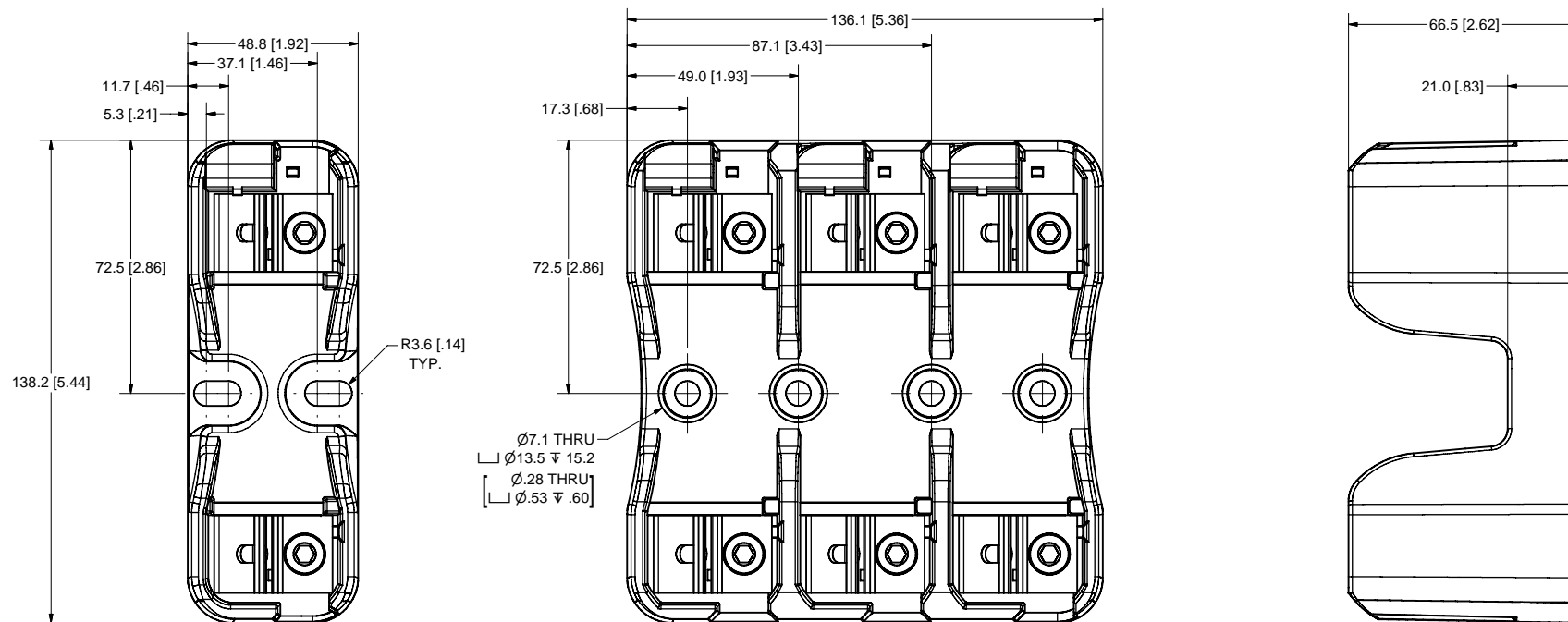


| REVISION | | DESCRIPTION |
|----------|-----------|-------------------------|
| REV | DATE | |
| A | 3/21/2011 | 501865ERP - RELEASE MRY |



SPECIFICATIONS:

VOLTAGE RATING: 600V

AMPERE RATING: 100 AMPERES

INTERRUPT RATING: 200kA

TERMINAL TYPE: BOX LUG

SUGGESTED TORQUE: 13.6 N-m (120 IN-LBS) 2/0-6 AWG
 4.5 N-m (40 IN-LBS) 8 AWG
 4.0 N-m (35 IN-LBS) 10-14 AWG

WIRE RANGE: 2/0-14 AWG Cu/Al
 SOLID/STRANDED

APPROVALS: UL LISTED (FILE NO. E14721)
 CSA CERTIFIED (FILE NO. LR7316)

| | |
|------|---|
| ● | DENOTES CRITICAL CHARACTERISTICS. |
| CPK | DENOTES CPK DIMENSIONS, -MINIMUM CPK VALUE |
| (ST) | DENOTES A CHARACTERISTIC THAT PROVIDES AN INDICATION OF PROCESS PERFORMANCE. PROCEDURE FOR MEASUREMENT AND TRACKING TO BE DEFINED IN LITTELFUSE INSPECTION INSTRUCTIONS |
| CP | DENOTES CP DIMENSIONS, -MINIMUM CP VALUE MUST BE WITHIN THE DIMENSIONAL LIMITATIONS SHOWN ON DRAWING AND INITIALLY LOCATED TO ALLOW FOR MAXIMUM TOOL LIFE. |

| MATL SPEC | FINISH | | |
|----------------|-------------------|--------------|-------------------------------|
| DRW M. York | DATE 3/21/2011 | SCALE NTS | FINISH GOOD WT GRAMS/PIECE |

UNLESS OTHERWISE SPECIFIED, DIMENSIONS ARE IN MILLIMETERS, DIMENSIONS IN BRACKETS [] ARE INCHES DIMENSIONING AND DO NOT INCLUDE PLATING. TOLERANCING TO BE INTERPRETED IN ACCORDANCE WITH ANSI Y14.5M-1994

| | |
|----------------------|--|
| 3RD ANGLE PROJECTION | |
|----------------------|--|

| | |
|-------|-------------------------|
| TITLE | LFJ60100 SERIES OUTLINE |
|-------|-------------------------|

| | | | |
|--|---------------|--------------------------------|--------------|
| Littelfuse DES PLAINES, ILLINOIS 60016 | REVISION A | DRWG NO. OL-LFJ60100 Series | SHEET 1 OF 1 |
|--|---------------|--------------------------------|--------------|