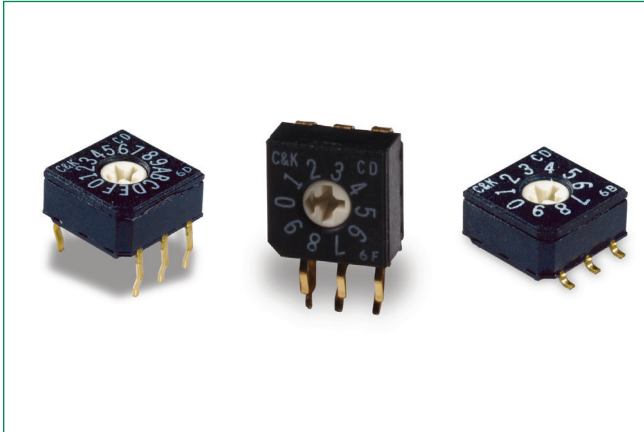


# CD Series

## 8mm Coded Rotary DIP Switches



### Description

Designers of address switching applications, data storage devices and instrumentation applications turn to the CD series 8mm coded rotary DIP switches because of their compact size and resistance to harsh environments. The CD series are process sealed to withstand soldering and cleaning, are 36% smaller than traditional 10mm DIP – saving critical space – and are built with a crisp, positive detent that ensures actuation.

### Features & Benefits

- Process sealed – withstands soldering and cleaning
- Thru-hole and surface mount models
- Compact size saves space – 36% smaller than traditional 10mm DIP
- Crisp, positive detent ensures actuation
- RoHS compliant
- IP65

### Applications

- Address switching applications
- Data storage devices
- Computer and peripherals
- Instrumentation

### Specifications

<b>Contact Rating</b>	0.4 VA max. @ 20 V AC or V DC max.
<b>Packaging</b>	Switches supplied in rigid tubes in full-tube quantities only; this may affect order quantity. Tube quantity is 60 pieces per tube. Surface mount switches available in tape & reel packaging per EIA 481A, 800 per reel. surface mount with “M0” actuator only.

### Mechanical Characteristics

<b>Mechanical and Electrical Life</b>	CD10 & CD16: 20,000 actuations. CD08: 12,000 actuations.
<b>Contact Resistance</b>	100 milliohms max. initial
<b>Insulation Resistance</b>	100 megohms min. @ 250 V AC min.
<b>Dielectric Strength</b>	250 V RMS min. @ sea level

### Environmental Characteristics

<b>Operating Temperature</b>	-25°C to 85°C
<b>Storage Temperature</b>	-40°C to 85°C

### Process

<b>Solderability</b>	Per MIL-STD-202F method 208D or EIA RS-186E, method 9 (1 hour steam aging).
----------------------	---

### Materials

<b>Cover</b>	PPS (UL 94 V-0) Color; Black
<b>Base</b>	
<b>Actuator</b>	LCP (UL 94 V-0), Color White (CDXXR) Color Black (CDXXC)
<b>Movable Contacts</b>	Copper alloy with gold plate over nickel plate
<b>Stationary Contacts</b>	
<b>Terminals</b>	

**Note:** Specifications and materials listed above are for switches with standard options. For information on specific and custom switches, consult Customer Service Center.

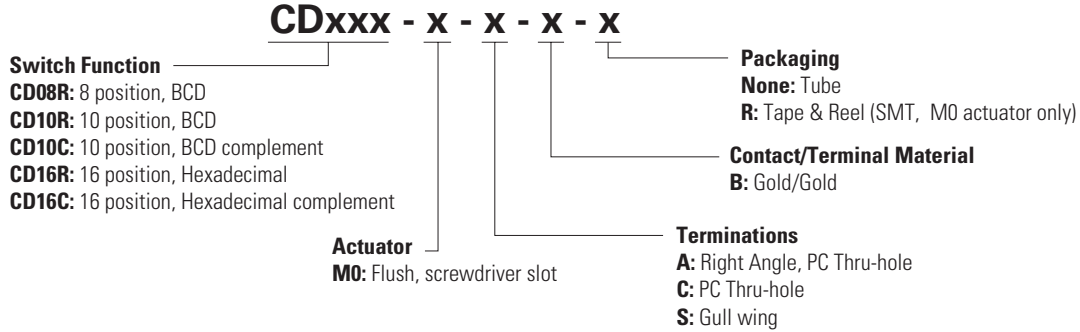
# CD Series

## 8mm Coded Rotary DIP Switches



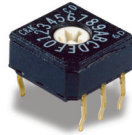
### Ordering Number

The Build-A Switch concept allows you to mix and match options to create the switch you need. Below is a complete listing of options shown in catalog. To order, simply select desired option from each category and place in the appropriate box.



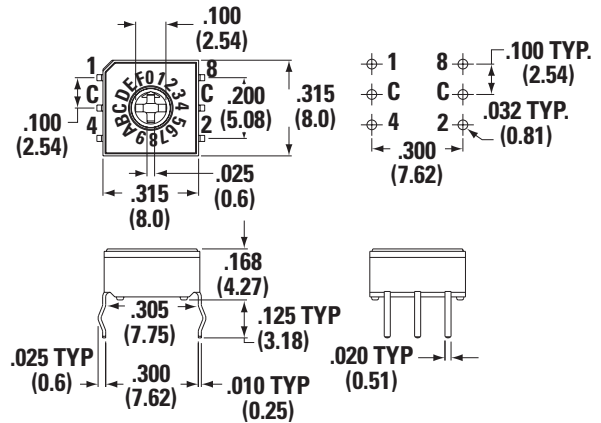
### Switches with Standard Options

#### PC Mount



CD16RM0CB inches (mm)

Part #	No. Pos.	Quantity per Tube
CD08RM0CB	8	60
CD10RM0CB	10	60
CD10CM0CB		
CD16RM0CB	16	60
CD16CM0CB		

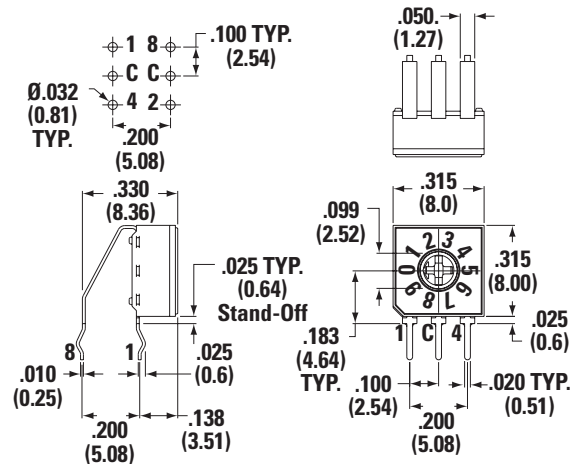


#### Right Angle Mount



CD10RM0AB inches (mm)

Part #	No. Pos.	Quantity per Tube
CD08RM0AB	8	60
CD10RM0AB	10	60
CD10CM0AB		
CD16RM0AB	16	60
CD16CM0AB		



# CD Series

## 8mm Coded Rotary DIP Switches



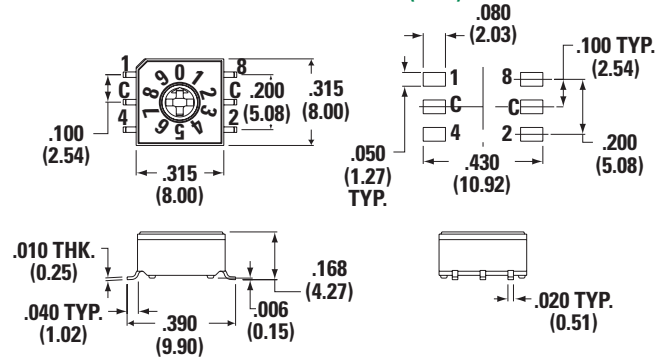
### Surface Mount



Part #	No. Pos.	Quantity per Tube
CD08RM0SB	8	60
CD10RM0SB	10	60
CD10CM0SB		
CD16RM0SB	16	60
CD16CM0SB		

Note: For tape and reel packaging, add 'R' to end of part number.

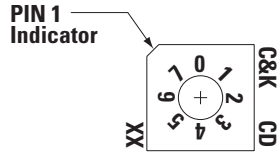
### CD10RM0SB inches (mm)



### Switch Function

#### CD08R - 8 Position, BCD, Actuator Color: White

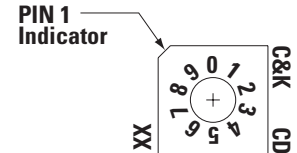
POS.	0	1	2	3	4	5	6	7
C	●	●	●	●	●	●	●	●
1		●		●		●		●
2			●	●			●	●
4					●	●	●	●
8								



Switches ship and to be solder processed in position "0"

#### CD10R - 10 Position, BCD, Actuator Color: White

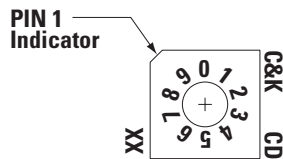
POS.	0	1	2	3	4	5	6	7	8	9
C	●	●	●	●	●	●	●	●	●	●
1		●		●		●		●		●
2			●	●			●	●		
4					●	●	●	●		
8									●	●



Switches ship and to be solder processed in position "0"

#### CD10C - 10 Position, BCD Complement, Actuator Color: Black

POS.	0	1	2	3	4	5	6	7	8	9
C	●	●	●	●	●	●	●	●	●	●
1	●		●		●		●		●	
2	●	●			●	●		●	●	
4	●	●	●					●	●	●
8	●	●	●	●	●	●	●	●	●	●



Switches ship and to be solder processed in position "7"

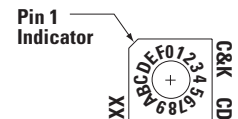
#### CD16R - 16 Position, Hexadecimal, Actuator Color: White

POS.	0	1	2	3	4	5	6	7	8	9	A	B	C	D	E	F
C	●	●	●	●	●	●	●	●	●	●	●	●	●	●	●	●
1		●		●		●		●		●		●		●		●
2			●	●			●	●			●	●			●	●
4					●	●	●	●				●	●	●	●	
8									●	●	●	●	●	●	●	●

Switches ship and to be solder processed in position "0"

#### CD16C - 16 Position, Hexadecimal Complement, Actuator Color: Black

POS.	0	1	2	3	4	5	6	7	8	9	A	B	C	D	E	F
C	●	●	●	●	●	●	●	●	●	●	●	●	●	●	●	●
1	●		●		●		●		●		●		●		●	
2	●	●			●	●			●	●			●	●		
4	●	●	●						●	●	●	●			●	●
8	●	●	●	●	●	●	●	●					●	●	●	●



Switches ship and to be solder processed in position "F"

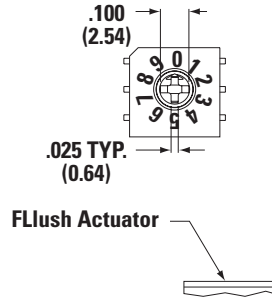
# CD Series

## 8mm Coded Rotary DIP Switches



### Actuator

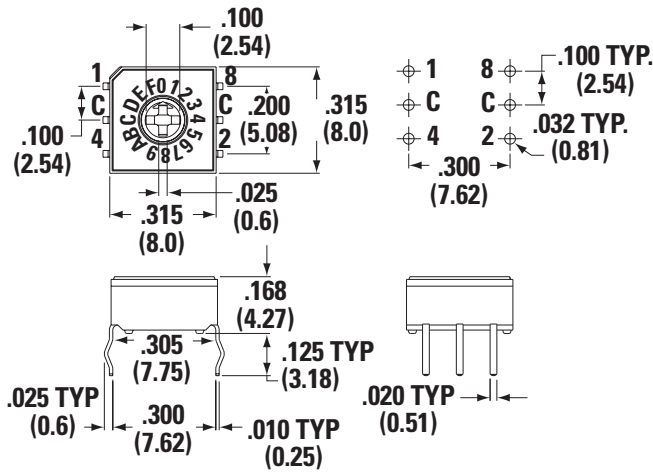
M0-(STD.) Flush with Screwdriver Slot inches (mm)



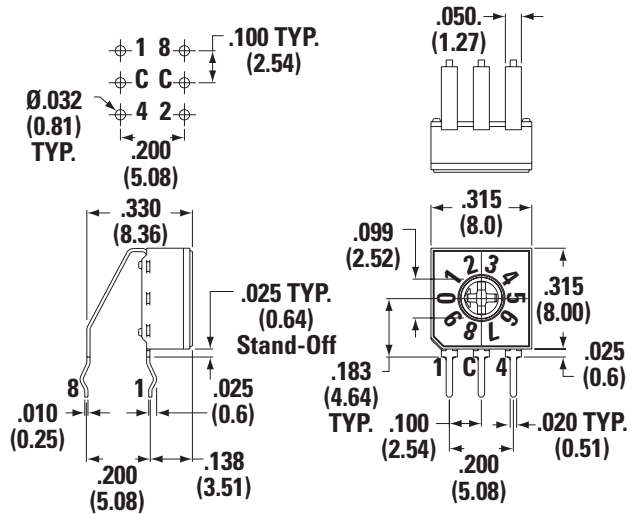
Note: Designed for #0 Phillips screwdriver.

### Terminations

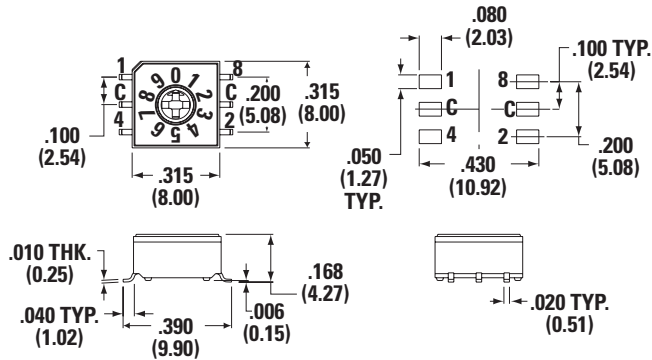
C-PC, Thru-hole inches (mm)



A-Right Angle, PC Thru-hole inches (mm)



S-Surface Mount inches (mm)



# CD Series

## 8mm Coded Rotary DIP Switches



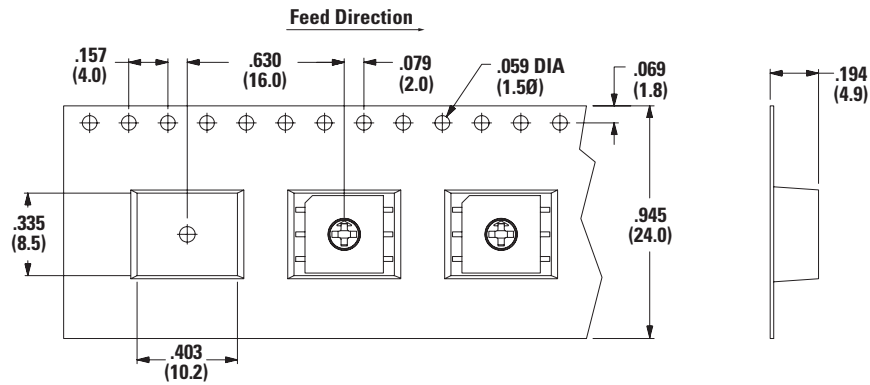
### Contact Material

Option Code	RoHS Compliant <sup>1</sup>	Reflow Compatible <sup>1</sup>	Contact Plating	Terminal Plating	Rating	
B	Yes	Yes	Gold	Gold	Low Level / Dry Circuit	0.4 VC max. @ 20 V AC or DC max.

**Note:** See Technical Data section of this catalog for RoHS compliant and compatible definitions and specifications.

### Tape and Reel

For Part Number CDxxM0SBR inches (mm)



### Reel Information

Outside Diameter	13.00 (333.0)
Pilot Hole	0.512 (13.0)

**Disclaimer Notice** - Information furnished is believed to be accurate and reliable. However, users should independently evaluate the suitability of and test each product selected for their own applications. Littelfuse products are not designed for, and may not be used in, all applications. Read complete Disclaimer Notice at <http://www.littelfuse.com/disclaimer-electronics>.