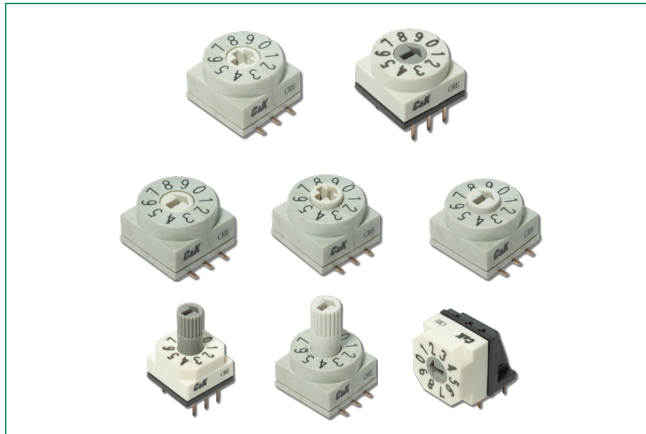


CRE Series

10mm Coded Rotary DIP Switches



Specifications

Contact Rating	42 V DC 150 mA (switching), 200 mA (non-switching)
-----------------------	---

Mechanical Specifications

Mechanical & Electrical Life	10,000 cycles
Insulation Resistance	100M Ω min.
Initial Contact Resistance	300 m Ω Max.

Environmental Specifications

	A & C Terminations	S Termination
Operating Temperature	-40°C ~ 85°C	-40°C ~ 125°C
Storage Temperature	-40°C ~ 85°C	-40°C ~ 125°C
Operating Force	700 gf Max.	

Process

Solder Conditions	PC Through-hole: Iron soldering 5s/350°C, wave soldering 5s/280°C. Gull wing (SMT): Iron soldering 5s/350°C, reflow soldering 10s/260°C.
Solderability	Dip and look solderability testing per C&K spec #448
Packaging	Switches are supplied in rigid dispensing tubes in full-tube quantities only, this may affect order quantities. Number of switches per tube varies with model. Tape and reel packing also available with exception for the right-angle "A" type terminations.

Description

The CRE series 10mm DIP coded rotary switch is the newest DIP. It has new design with different actuators and frontal surface for end possibilities of product selection. It's fully processed sealed and hence can withstands soldering and cleaning.

Features & Benefits

- Process sealed – withstands soldering and cleaning
- Thru-hole and surface mount models
- New designs with different actuators
- RoHS compatible and compliant
- New generation price competitive
- IP65

Applications

- Address switching applications
- Data storage devices
- Computer and peripherals
- Instrumentation

Materials

Cover	PC Through-hole: PA Gull wing (SMT): LCP
Base	PC Through-hole: POM Gull wing (SMT): PA
Actuator	Phosphor bronze with gold plating
Contacts	
Terminals	

Note: Specifications and materials listed above are for switches with standard options. For information on specific and custom switches, consult Customer Service Center.

CRE Series

10mm Coded Rotary DIP Switches



Ordering Number

The Build-A Switch concept allows you to mix and match options to create the switch you need. Below is a complete listing of options shown in catalog. To order, simply select desired option from each category and place in the appropriate box.

CRExx - x - x - x - x - x

Number of Positions

- 04:** 4 position
- 06:** 6 position
- 08:** 8 position
- 10:** 10 position
- 16:** 16 position

Coding

- R:** Real or BCD code
- C:** Complement code

Packaging

- None:** Tube
- R:** Tape & Reel (Not available for termination type A & C)

Shape of Surface

- OT:** Octagon type
- RD:** Round type

Terminations

- A:** Right angle, PC thru-hole (Only available for actuator M0 & M1)
- C:** PC Thru-hole
- S:** Gull Wing

Actuator

- M0:** Flush, Screw type ">" [Slot Screw Drive Type]
- M1:** Flush, Screw type "+" [Cross Screw Drive Type]
- L0:** Extended, Screw Type ">" [Slot Screw Drive Type]
- P0:** Protrusion, Screw Type ">" [Slot Screw Drive Type]
- P1:** Protrusion, Screw Type "+" [Cross Screw Drive Type]

Coding

R - Real Code

04 Position

		Real Code				
04 POSITION		C	1	2	4	8
0						
1						
2						
3						
4						
5						
6						
7						

06 Position

		Real Code				
06 POSITION		C	1	2	4	8
0						
1						
2						
3						
4						
5						
6						
7						

08 Position

		Real Code				
08 POSITION		C	1	2	4	8
0						
1						
2						
3						
4						
5						
6						
7						

10 Position

		Real Code				
10 POSITION		C	1	2	4	8
0						
1						
2						
3						
4						
5						
6						
7						
8						
9						

16 Position

		Real Code				
16 POSITION		C	1	2	4	8
0						
1						
2						
3						
4						
5						
6						
7						
8						
9						
A						
B						
C						
D						
E						
F						

PIN 1 Indicator

C - Complement Code

04 Position

		Complement Code				
04 POSITION		C	1	2	4	8
0						
1						
2						
3						

06 Position

		Complement Code				
06 POSITION		C	1	2	4	8
0						
1						
2						
3						
4						
5						

08 Position

		Complement Code				
08 POSITION		C	1	2	4	8
0						
1						
2						
3						
4						
5						
6						
7						

10 Position

		Complement Code				
10 POSITION		C	1	2	4	8
0						
1						
2						
3						
4						
5						
6						
7						
8						
9						

16 Position

		Complement Code				
16 POSITION		C	1	2	4	8
0						
1						
2						
3						
4						
5						
6						
7						
8						
9						
A						
B						
C						
D						
E						
F						

PIN 1 Indicator

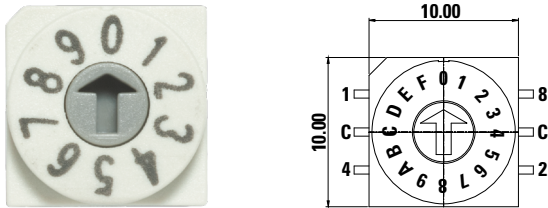
CRE Series

10mm Coded Rotary DIP Switches

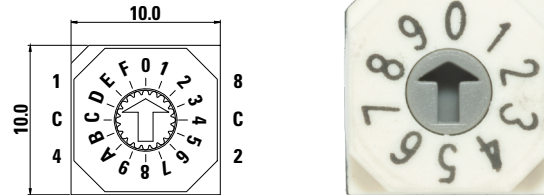


Shape of Surface

RD - Round Type

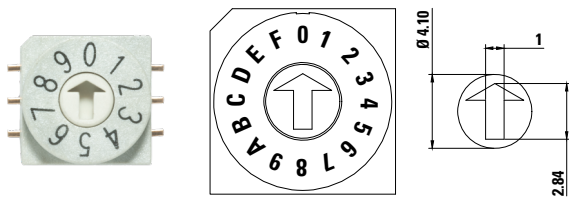


OT - Octagon Type

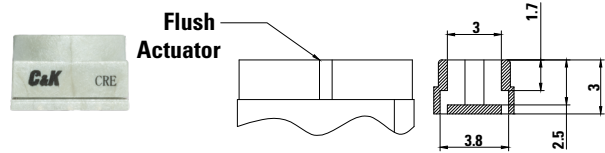
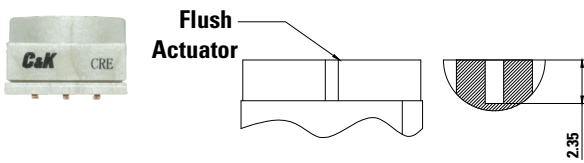
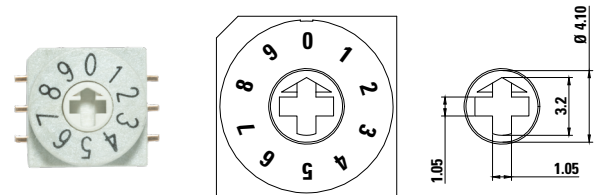


Actuator (mm)

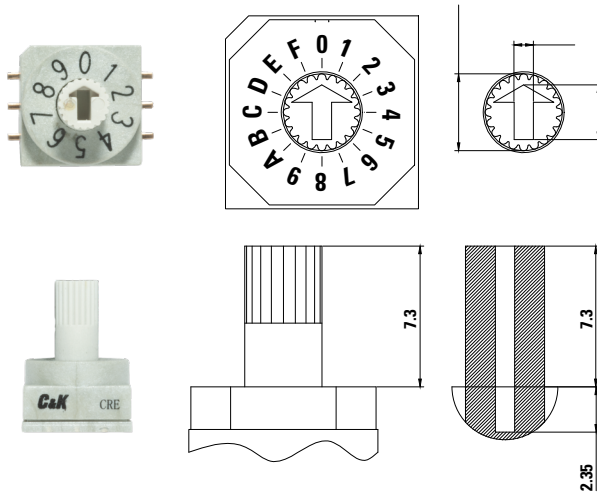
M1 Flush, Screw type "->"



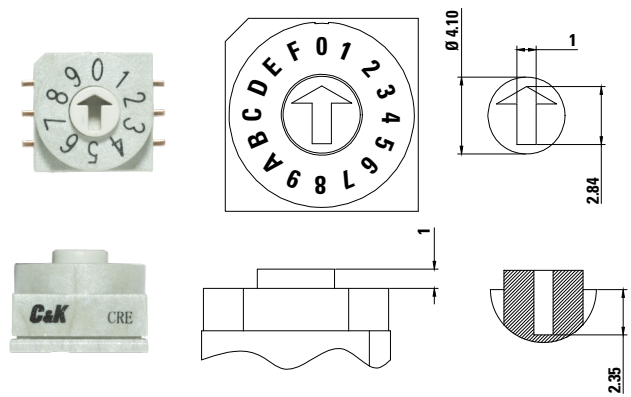
M0 Flush, Screw type "+"



L0 Extended, Screw type "->"



P0 Protrusion, Screw type "->"

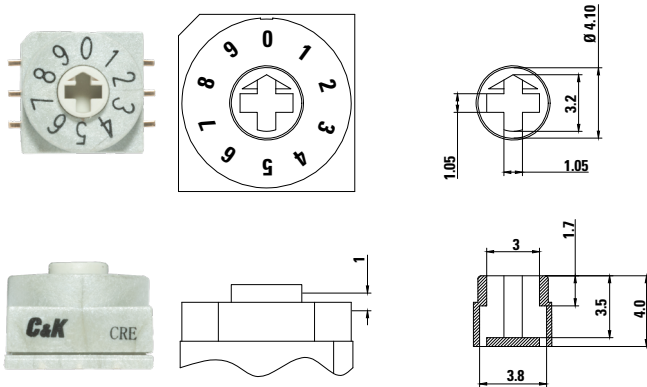


CRE Series

10mm Coded Rotary DIP Switches

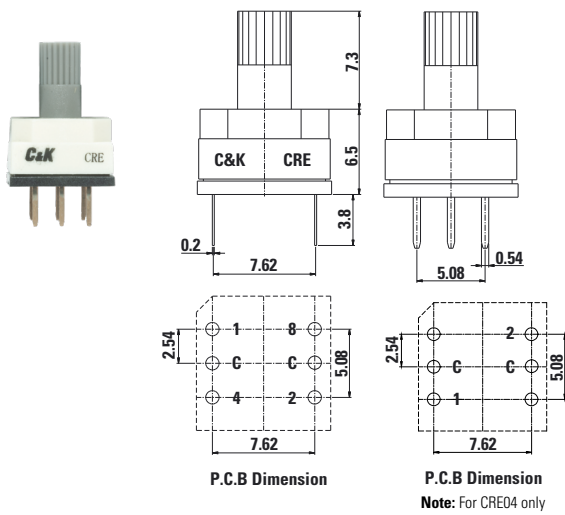


P1 Protrusion, Screw type "+" (mm)

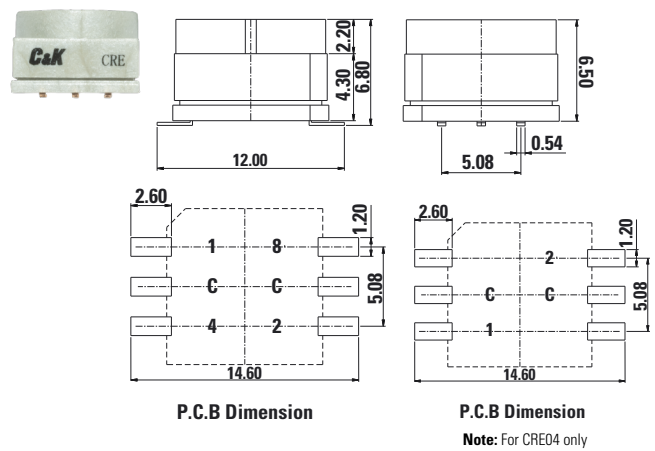


Terminations (mm)

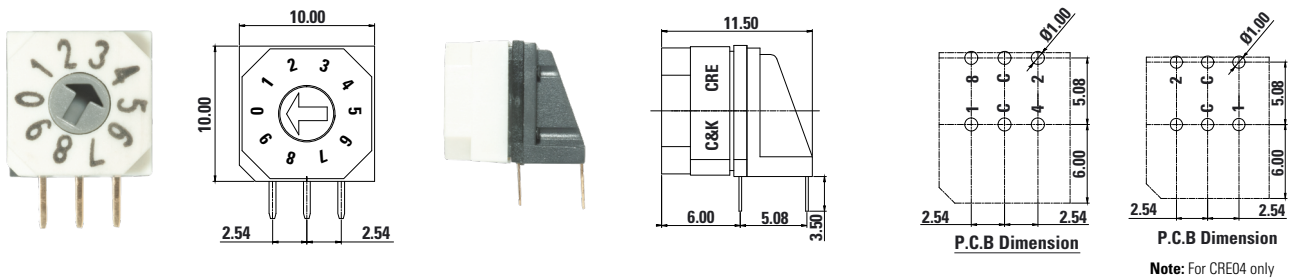
C PCThru-hole



S Gull wing



A Right Angle Thru-hole

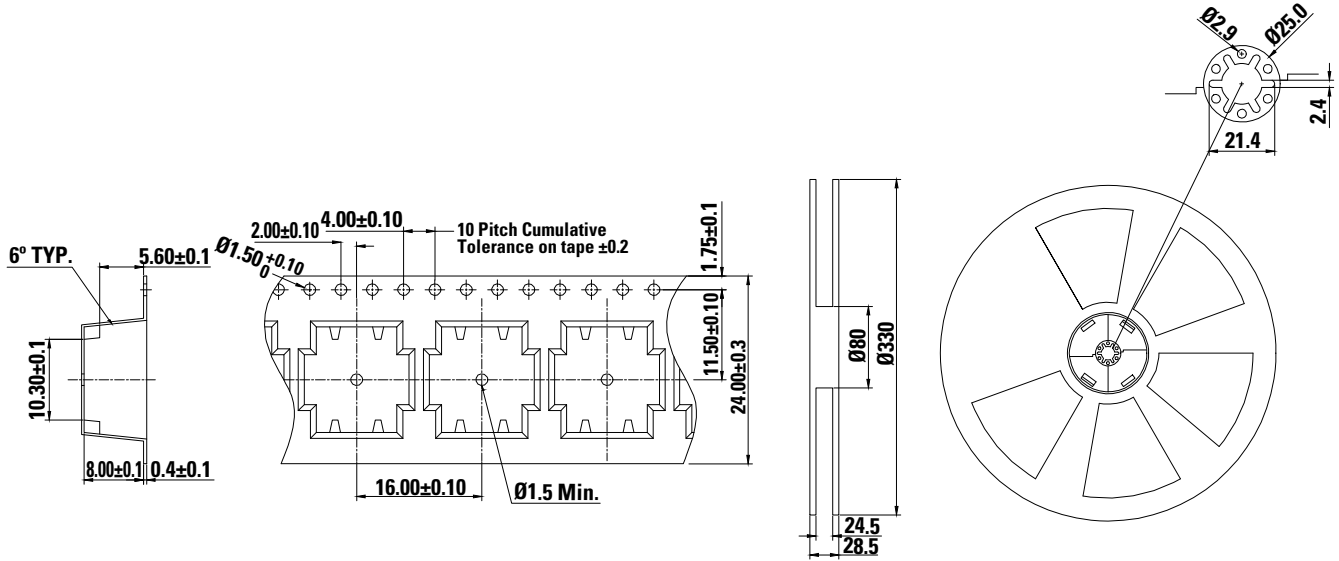


CRE Series

10mm Coded Rotary DIP Switches



Tape and Reel (mm)



Note: Tape & Reel, 600 pcs

Disclaimer Notice - Information furnished is believed to be accurate and reliable. However, users should independently evaluate the suitability of and test each product selected for their own applications. Littelfuse products are not designed for, and may not be used in, all applications. Read complete Disclaimer Notice at <http://www.littelfuse.com/disclaimer-electronics>.