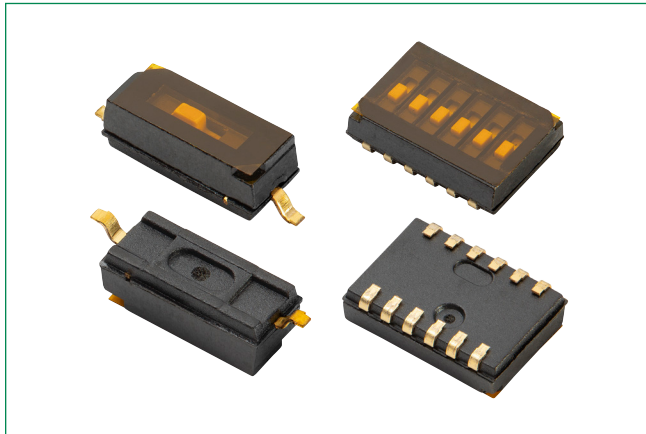


TDA Series

Ultra-miniature Surface Mount Half-pitch DIP Switches



Description

The TDA series ultra-miniature surface mount half-pitch DIP switch from has bifurcated contact for increased electrical reliability and is process sealed for surface mount soldering and washable processing. TDA switches are found in hand-held electronic devices, portable computers, and various forms of instrumentation and controls.

Features & Benefits

- Bifurcated contact for increased electrical reliability
- Process sealed for surface mount soldering and washable processing
- RoHS compliant

Applications

- Hand-held electronic devices
- Portable computer and electronic devices
- Instrumentation and controls

Specifications

Switch Function	SPST - 1, 2, 4, 6, 8, 10 positions
Contact Rating	24 V DC, 25 mA (switching) 50 V DC, 100 mA (steady state)
Packaging	Switches supplied in rigid dispensing tubes in full tube quantities only, this may affect order quantity. Numbers of switches per tube varies with model. Tape and reel packaging quantity varies with model.

Electrical & Mechanical Characteristics

Mechanical and Electrical Life	1,000 cycles
Contact Resistance	100 mΩ max.
Insulation Resistance	100M Ω @ 100 V DC min.
Dielectric Strength	300 V AC min.

Environmental Characteristics

Storage Temperature	-40°C to 85°C
Operating Temperature	
Operating Force	4.9N max.

Process

Soldering	Per MIL-STD-202F method 208D, or EIA RS-186E method 9 (1 hour steam aging).
------------------	---

Materials

Case & Cover	PPS (UL 94 V-0)
Actuator	LCP (UL 94 V-0)
Contacts	Copper alloy with gold plate over nickel plate.
Terminals	Copper alloy, with gold flash over nickel plate. All terminals are insert molded.
Tape Seal	Polyimide

Note: Specifications and materials listed above are for switches with standard options. For information on specific and custom switches, consult Customer Service Center. All switches supplied in "OFF" position.

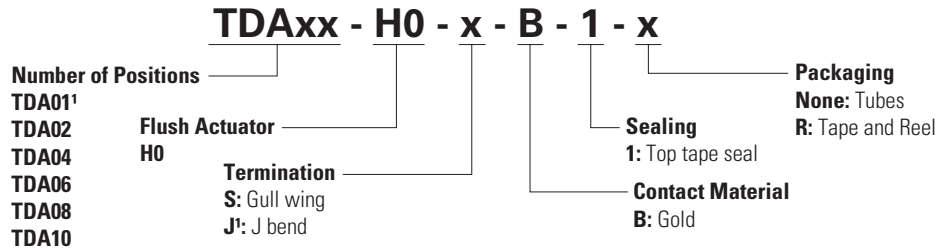
TDA Series

Ultra-miniature Surface Mount Half-pitch DIP Switches



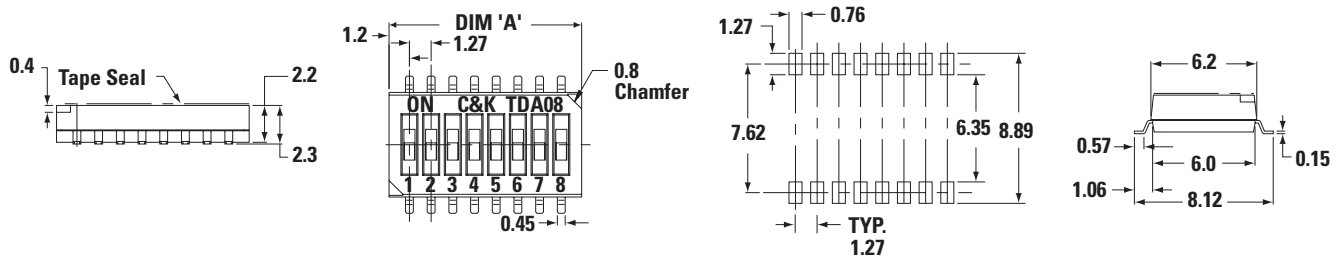
Ordering Number

Our easy build-a-switch concept allows you to mix and match options to create the switch you need. To order, select desired option from each category and place it in the appropriate box. All switches supplied in "OFF" position.

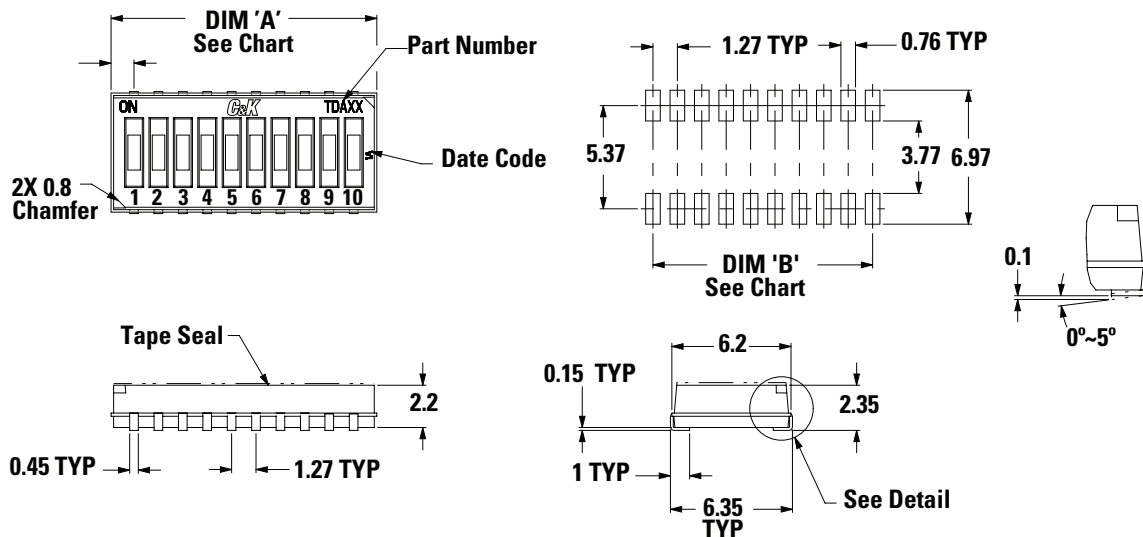


Notes:
TDA01H0JB1R is not available, TDA01 only offered in tape and reel

TDA08H0SB1 (mm)

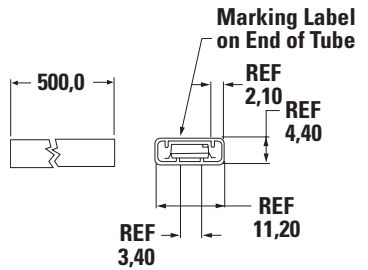


TDA10H0JB1 (mm)

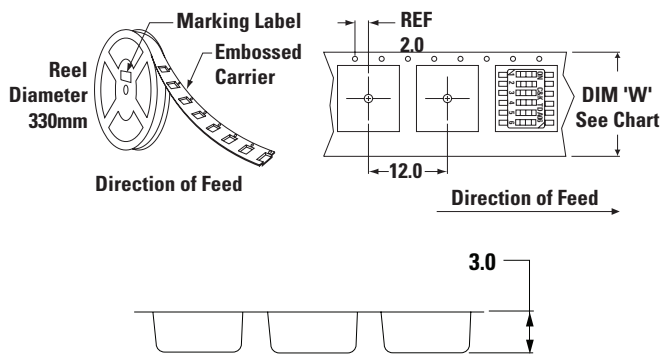


TDA Series

Ultra-miniature Surface Mount Half-pitch DIP Switches



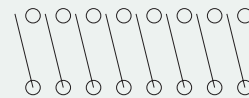
TDAXXH0SB1R (XX=02 to 10)



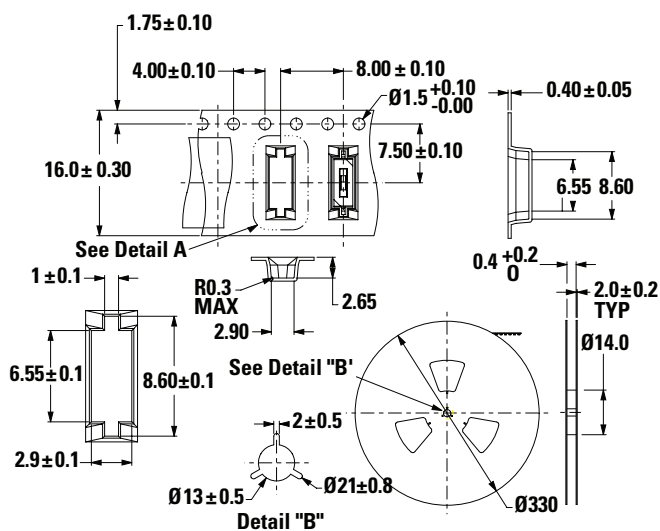
Tube Package

ROHS Part #	No. Pos.	DIM 'A'	DIM "B"	Quantity per Tube
TDA01H0SB1	1	2.40		N/A
TDA02H0_B1	2	3.67	1.27	125
TDA04H0_B1	4	6.21	3.81	70
TDA06H0_B1	6	8.75	6.35	50
TDA08H0_B1	8	11.29	8.89	40
TDA10H0_B1	10	13.83	11.43	30

Schematic SPST



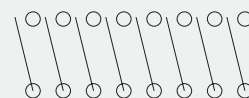
TDA01H0SB1R



Tape and Reel Package

ROHS Part #	No. Pos.	DIM 'W'	Quantity per Reel
TDA01H0SB1R	1	16.0	2,500
TDA02H0_B1R	2		2,000
TDA04H0_B1R	4		2,000
TDA06H0_B1R	6		2,000
TDA08H0_B1R	8	24.0	2,000
TDA10H0_B1R	10		2,000

Schematic SPST



Disclaimer Notice - Information furnished is believed to be accurate and reliable. However, users should independently evaluate the suitability of and test each product selected for their own applications. Littelfuse products are not designed for, and may not be used in, all applications. Read complete Disclaimer Notice at <http://www.littelfuse.com/disclaimer-electronics>.