

# FDSD Series

## Micro Mini Side Actuated Detect Switches



### Description

FDSD newest introduction into the detect family switches are really miniature in package size which allow application that requires side vertical detection. It is mounted on PCB and the typical applications are mainly consumer electronics and medical devices.

### Features & Benefits

- Extremely small package size
- Vertical Side Actuation
- Flat or Bending Terminations
- Long Travel Type
- RoHS Compatible and Compliant

### Applications

- Consumer electronics
- Medical devices
- Safety control devices

### Specifications

<b>Contact Rating</b>	50 $\mu$ A @ 3VDC, 10 mA @ 5 VDC
<b>Mechanical/Electrical Life</b>	50,000 operations
<b>Contact Resistance</b>	1 $\Omega$ max.
<b>Insulation Resistance</b>	100 M $\Omega$ min.
<b>Dielectric Strength</b>	100 VAC @ 1 minute
<b>Operating Temperature</b>	-40°C to 85°C
<b>Operating Force</b>	40gf max.
<b>Travel</b>	3.05 mm or 60°
<b>Solderability</b>	According to lead free solder profiles
<b>Packaging</b>	3,500 pieces per reel

### Materials

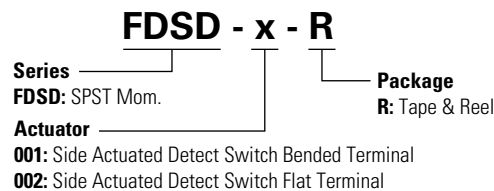
<b>Base</b>	PA9T
<b>Cover</b>	C7701R
<b>Actuator</b>	PA46
<b>Movable Contact</b>	Beryllium Copper
<b>Terminals</b>	Phosphor Bronze, Ag over Ni Plating

#### Notes:

1. Specifications and materials listed above are for switches with standard options. For information on specific and custom switches, consult Customer Service Center.

### Ordering Number

Complete part numbers for FDSD Series are shown below.

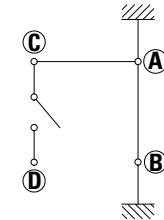
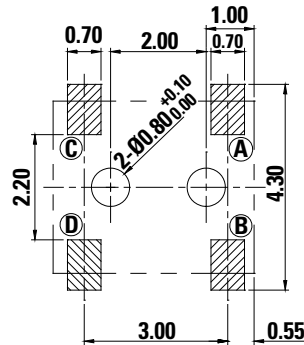
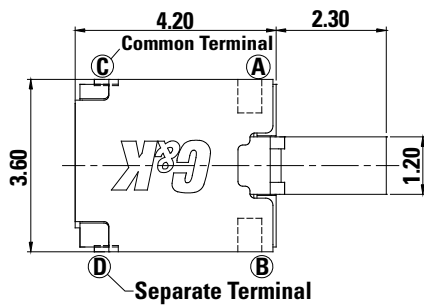


# FDSD Series

## Micro Mini Side Actuated Detect Switches

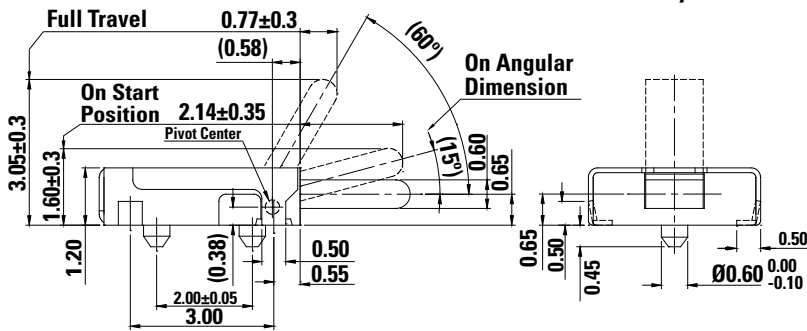


### Series FDSD001R

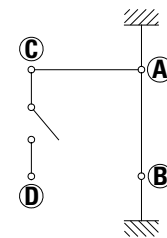
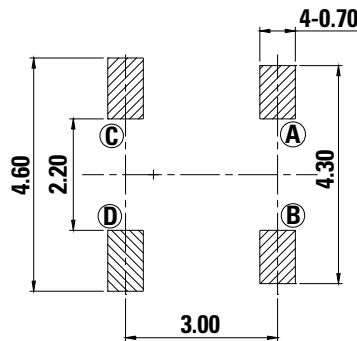
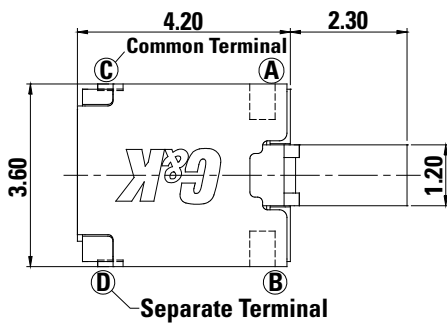


Circuit diagram

PCB Layout

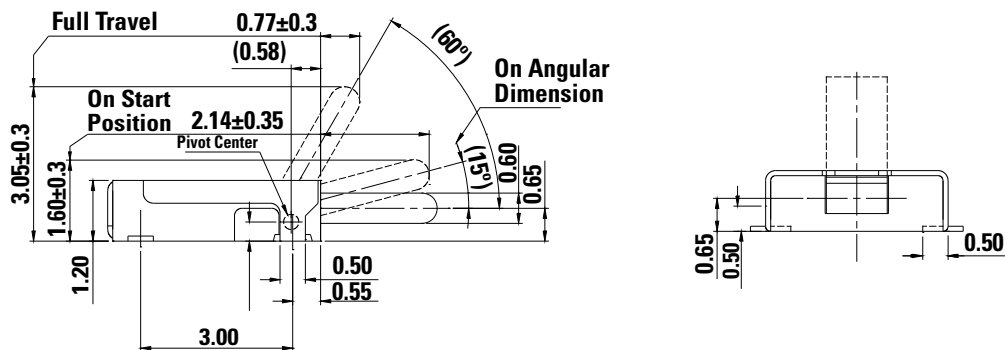


### FDSD002R



Circuit diagram

PCB Layout

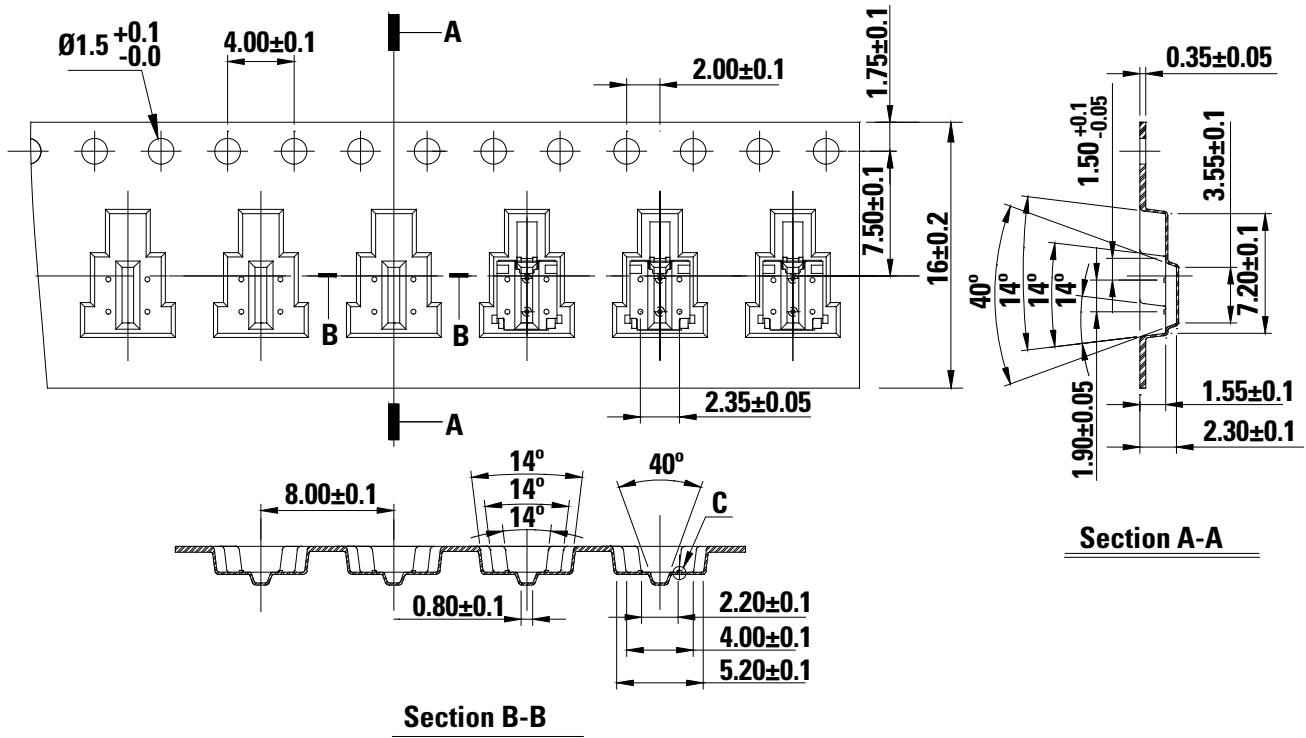
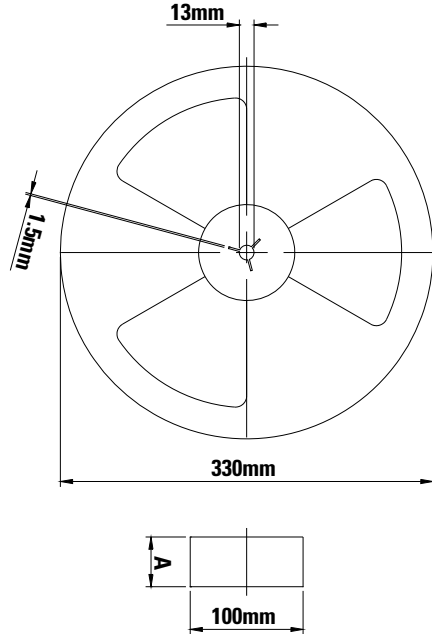


# FDSD Series

## Micro Mini Side Actuated Detect Switches



Tape & Reel (in mm)



**Disclaimer Notice** - Information furnished is believed to be accurate and reliable. However, users should independently evaluate the suitability of and test each product selected for their own applications. Littelfuse products are not designed for, and may not be used in, all applications. Read complete Disclaimer Notice at <http://www.littelfuse.com/disclaimer-electronics>.