

# D6 Series

## SMT Momentary Key Switches



### Specifications

<b>Function</b>	Momentary
<b>Contact Arrangement</b>	SPST - NO
<b>Distance Between Buttons Centers</b>	Min.: 12.7 (0.500)
<b>Terminals</b>	PC pins

### Environmental/Mechanical Characteristics

Mechanical	Non-Illuminated	Illuminated
<b>Switching Travel</b>	Version F1: 0.2 mm ≤ Te ≤ 1.0 mm Version F2: 0.3 mm ≤ Te ≤ 1.1 mm	0.4 mm ≤ Te ≤ 0.8 mm
<b>Operating Force</b>	Version F1: 0.8N ≤ Fa ≤ 1.8N Version F2: 2.0N ≤ Fa ≤ 3.5N	Version F1: 0.8N ≤ Fa ≤ 1.8N Version F2: 1.5N ≤ Fa ≤ 2.5N
<b>Sealing</b>	IP40	
<b>Operating Temperature</b>	-20°C to 85°C	-20°C to 60°C
<b>Solderability</b>	Wave soldering, compatible with lead free soldering profile. Hand soldering, 350°C for 3 seconds	
<b>Packaging</b>	The D6 switches are delivered in boxes containing 10 trays with 250 pieces each: Total 2,500 pieces per box. The D6 buttons are delivered in bulk with 2500 pieces per box.	

### Description

The D6 SPST Momentary keyswitch by C&K is often used in appliances, electronic games, video applications and industrial controls, due to its ability to withstand high temperatures. The D6 is built to enable easy X, Y coding on a single side PCB, is RoHS compliant and can be ordered in a variety of colors and styles, making it easy to match this switch to your product design.

### Features & Benefits

- Easy X, Y coding on single side PCB
- Positive/ smooth tactile feedback
- High temperature
- Wide variety of colors & styles
- Illuminated versions available
- RoHS compliant and compatible

### Applications

- Video
- Electronic games
- Appliances

### Electrical Characteristics

Electrical	Non-Illuminated	Illuminated
<b>Switching Power Max.</b>	3 VA	0.35 VA
<b>Switching Voltage Max.</b>	32 V DC	35 V DC
<b>Switching Current Max.</b>	100 mA DC	10 mA DC
<b>Operating Life with max. switching power</b>	Version F1: 250,000 operations Version F2: 100,000 operations	Version F1: 100,000 operations Version F2: 30,000 operations
<b>Contact Resistance</b>	≤ 100 mΩ	≤ 200 mΩ
<b>Dielectric Strength (50 Hz / 1 min)</b>	250 V	
<b>Insulation Resistance</b>	≥ 10 <sup>8</sup> Ω	
<b>Bounce Time</b>	≤ 10 ms	

# D6 Series

## SMT Momentary Key Switches

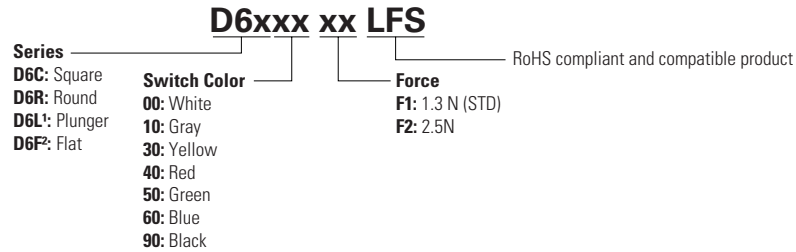


### Ordering Number

Our easy build-a-switch concept allows you to mix and match options to create the switch you need. To order, select desired option from each category and place it in the appropriate box.

#### Non-Illuminated

##### Switch

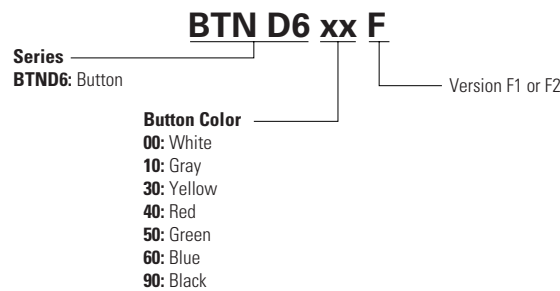


##### Notes

1. Available only in color 90 (black)
2. Available only in color 90 (black) or 00 (white)

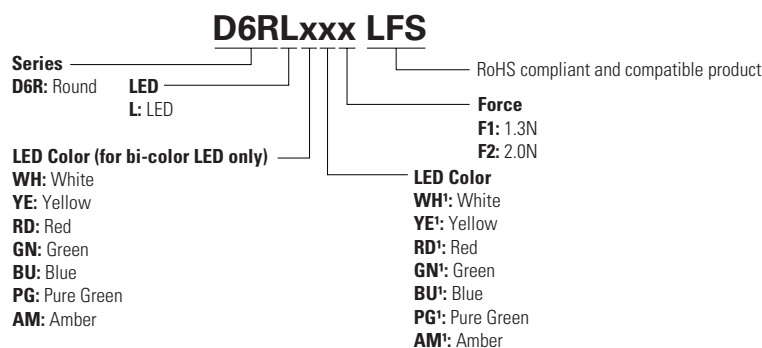
##### Button

Buttons can be ordered separately  
Shipped in bulk. D6 button for use with D6C only



#### Illuminated

##### Switch



##### Notes

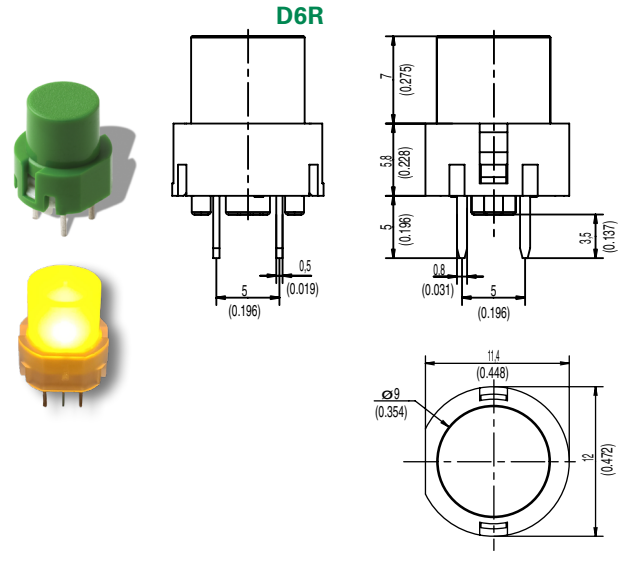
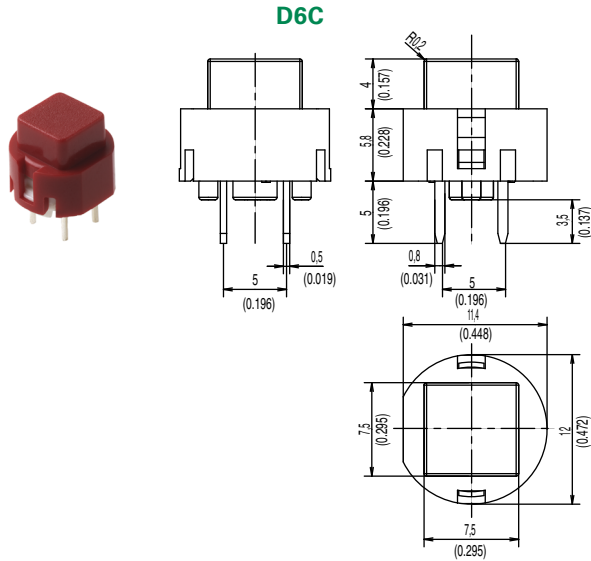
1. Please contact technical support for these configuration

# D6 Series

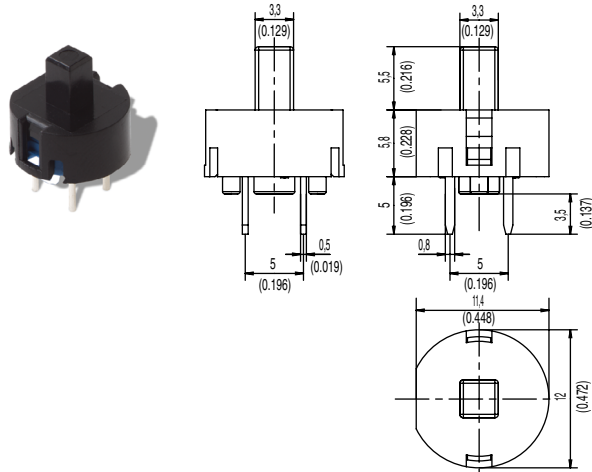
## SMT Momentary Key Switches



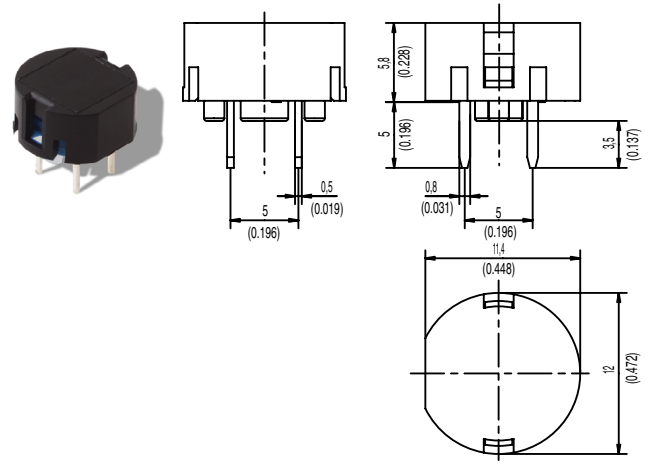
### Series



### D6L (Only available in Black)



### D6F (Only available in Black or White)

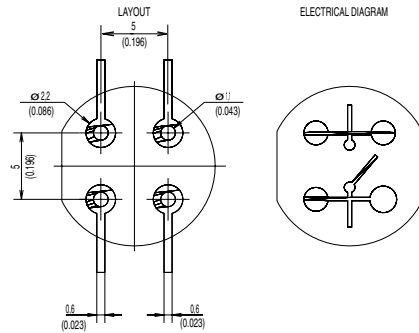


# D6 Series

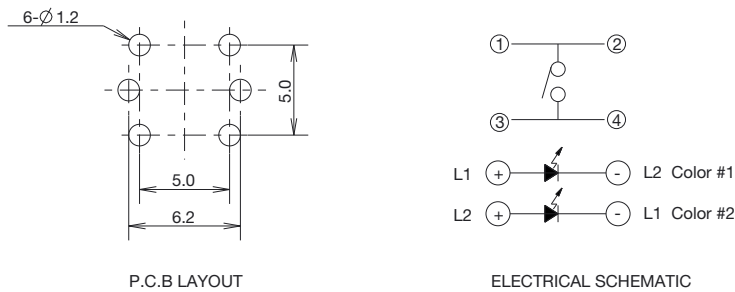
## SMT Momentary Key Switches



### PCB Layout Switch (Non-Illuminated)



### Switch (Illuminated)



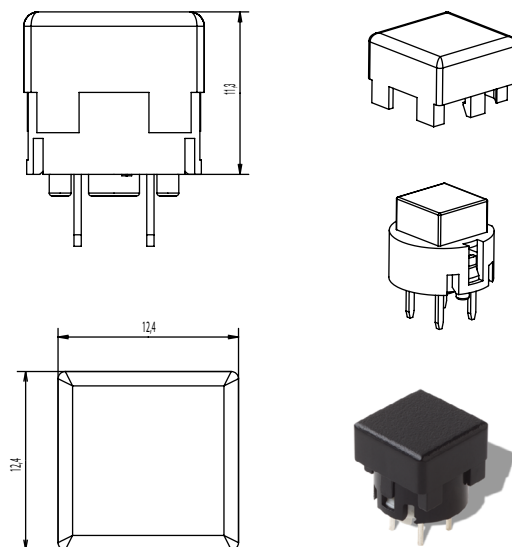
P.C.B LAYOUT

ELECTRICAL SCHEMATIC

### Button Available

**BTND6 Buttons must be order separately. Shipped in Bulk.**

Note: Only compatible with D6C



Option Code	Button Color
00	White
10	Gray
30	Yellow
40	Red
50	Green
60	Blue
90	Black

**Disclaimer Notice** - Information furnished is believed to be accurate and reliable. However, users should independently evaluate the suitability of and test each product selected for their own applications. Littelfuse products are not designed for, and may not be used in, all applications. Read complete Disclaimer Notice at <http://www.littelfuse.com/disclaimer-electronics>.