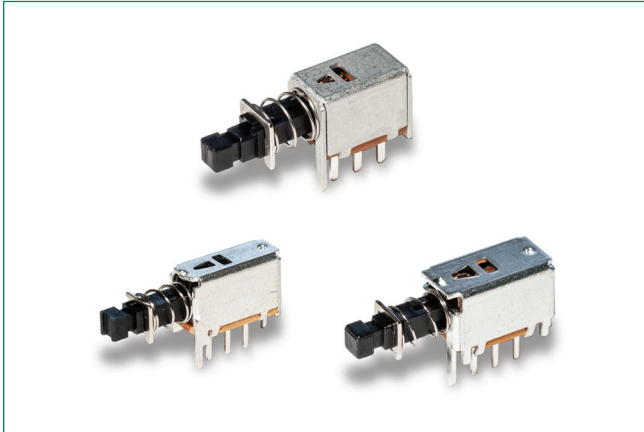


PN Series

Alternate & Momentary Action Pushbutton Switches



Description

The PN series alternate and momentary action pushbutton switches are used in computing, instrumentation, and measurement equipment for non-power, on-off switching. With a low-cost, reliable contact design, the high-performance PN switches are available in either momentary or locking action options – and with different actuation forces, giving end-users a customized feel.

Features & Benefits

- Momentary or locking action
- Different actuation forces for customized feel
- Low cost, reliable contact design
- Single and double pole options
- RoHS compliant

Applications

- Computers and peripherals
- Instrumentation and measurement equipment
- Non-power, on-off switch applications

Specifications

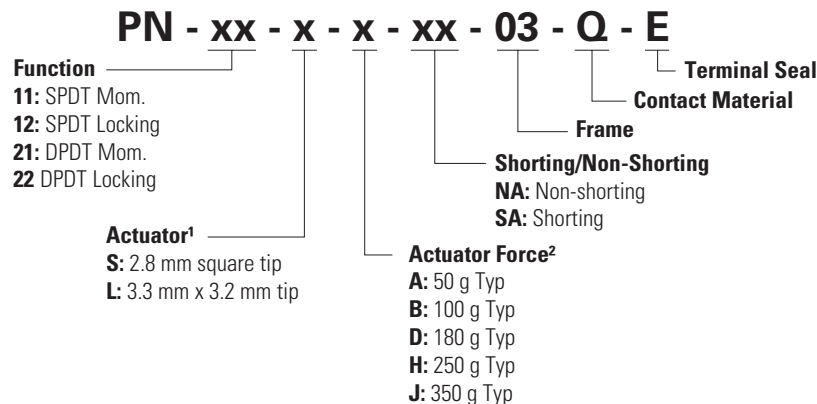
Contact Rating	0.2 amp @ 30 V DC max.
Electrical Life	10,000 make-and-break cycles at full load.
Mechanical Life	10,000 on/off cycles.
Contact Resistance	30 mΩ max. initial
Insulation Resistance	100 MΩ min.
Dielectric Strength	500 V AC min.
Operating/Storage Temperature	-10°C to 60°C.
Packaging	Switches are supplied in anti-static trays.

Materials

Frame	Tin plated steel.
Actuator	PA 66 black.
Base	Phenolic resin.
Terminals	Silver plated brass
Movable Contacts	Silver plated phosphor bronze.
Return Spring	SWC
Detent Spring/Spring Plate	Phosphor bronze
Return Spring Retainer Ring	Nickel plated steel
Terminal Seal	Epoxy

Ordering Number

To order, simply select desired option from each category and place in the appropriate box. For additional options not shown in catalog, consult Customer Service Center.



Notes:

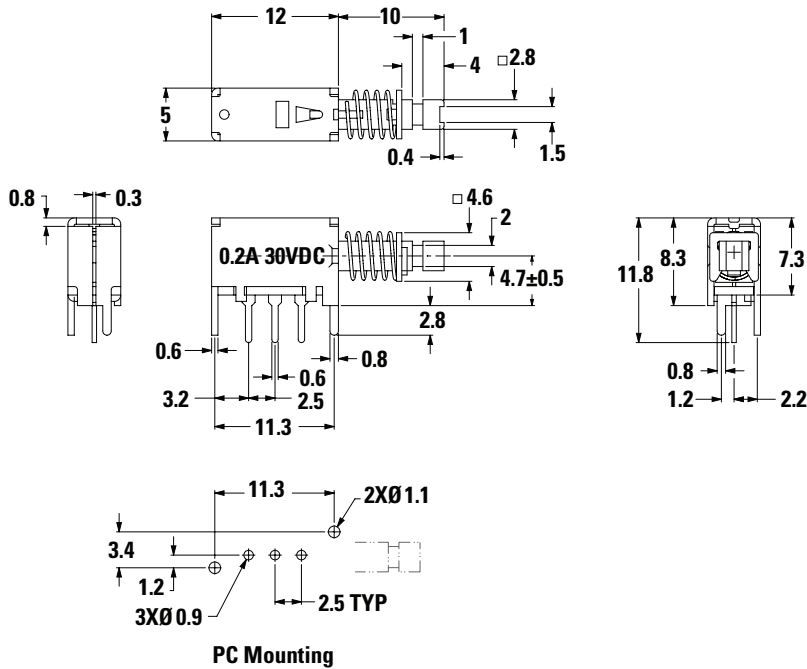
- ¹ "L" actuator is available for PN 21 & PN 22 options only
- ² Actuation Force "A" is available with PN11 on "S" actuator only. PN 11 & PN 21 are available with Actuation Force "B", "D", "H", "J". PN 12 & PN 22 are available with Actuation Force "D", "H", "J"

PN Series

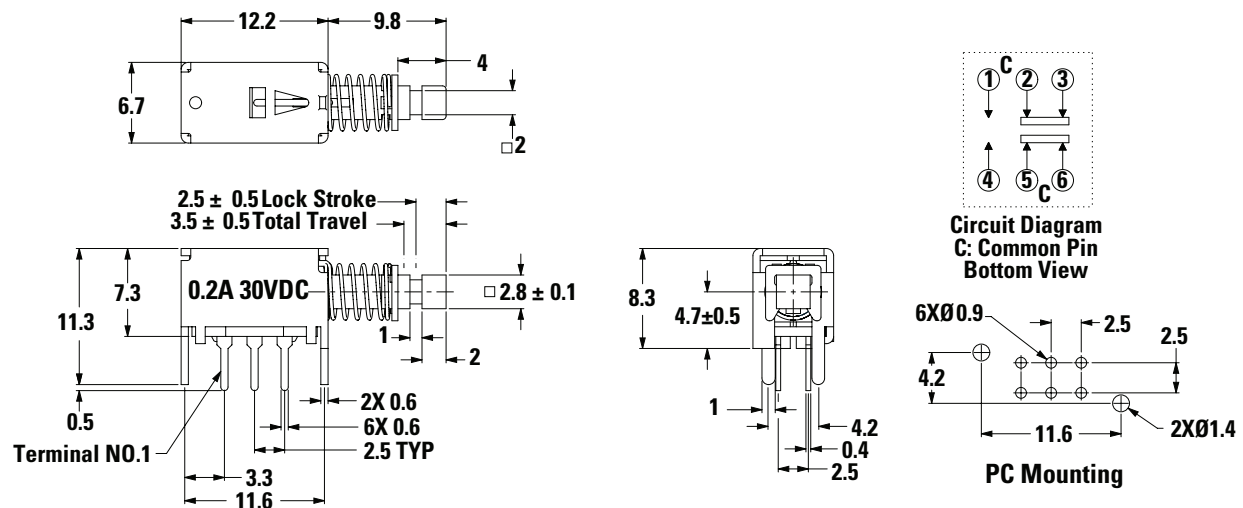
Alternate & Momentary Action Pushbutton Switches



**PN 11 SPDT Mom.
PN 12 SPDT Locking
Dimensions (mm)**



**PN 21 DPDT Mom. with "S" Actuator
PN 22 DPDT Locking with "S" Actuator
Dimensions (mm)**

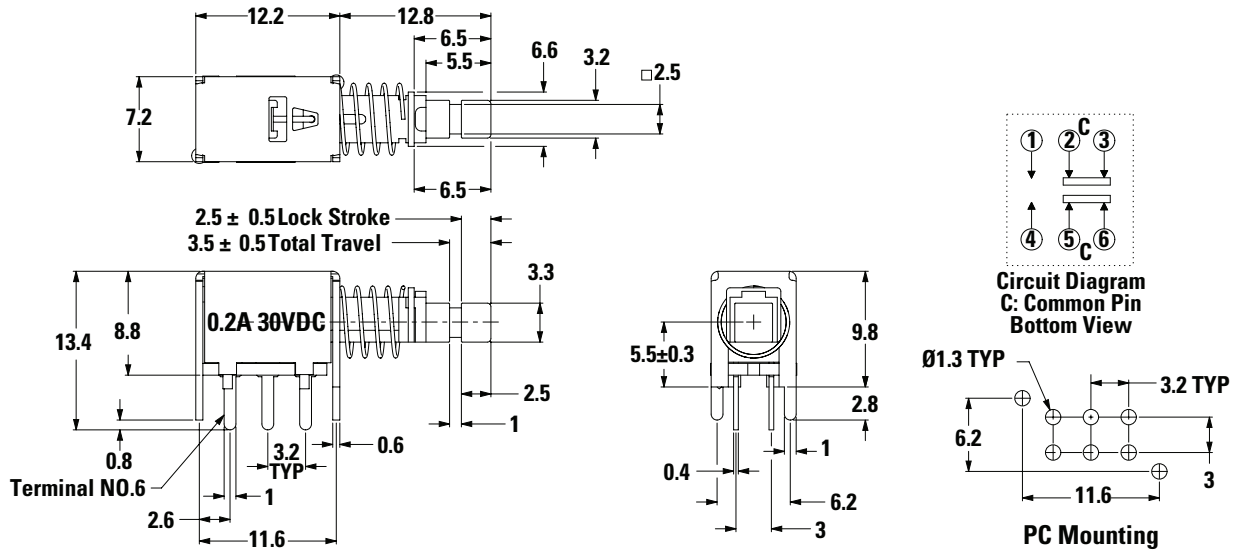


PN Series

Alternate & Momentary Action Pushbutton Switches

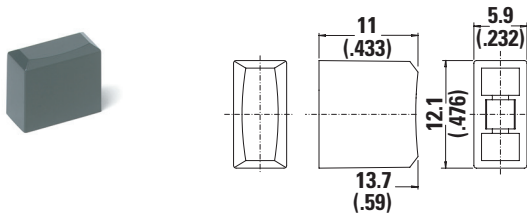


PN 21 DPDT Mom. with "L" Actuator
 PN 22 DPDT Locking with "L" Actuator
 Dimensions (mm)

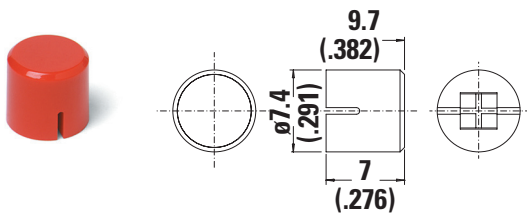


Buttons must be ordered separately. Shipped in bulk.

PE



PV



Option Code	Color
RD	Red
GY	Grey
BK	Black
WH	White

Notes: PE and PV buttons fit "L" actuators

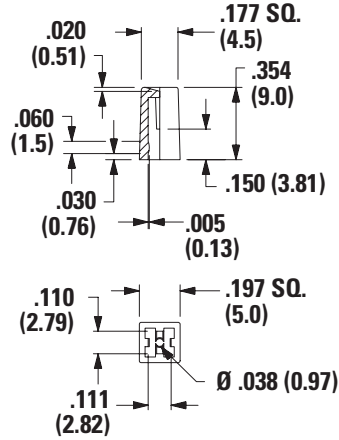
PN Series

Alternate & Momentary Action Pushbutton Switches



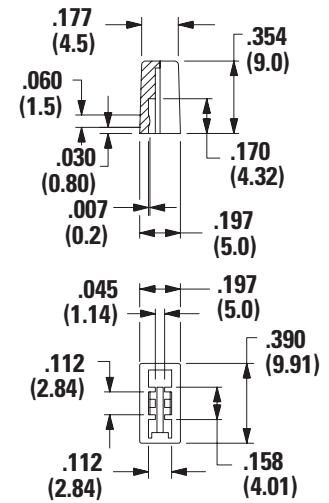
Indexed

- G001A Black
- G001G Gray
- G001I Ivory
- G001R Red



Rectangular

- G002A Black
- G002G Gray
- G002I Ivory
- G002R Red

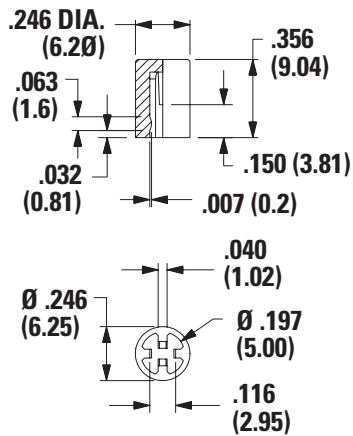


Round

- G003A Black
- G003G Gray
- G003I Ivory
- G003R Red

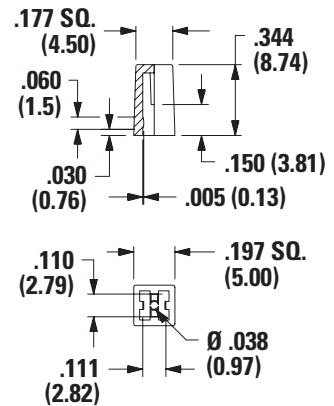
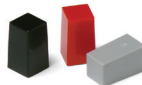


G001, G002, G003 and G004 buttons fit "S" actuators



Square

- G004A Black
- G004G Gray
- G004I Ivory
- G004R Red



Disclaimer Notice - Information furnished is believed to be accurate and reliable. However, users should independently evaluate the suitability of and test each product selected for their own applications. Littelfuse products are not designed for, and may not be used in, all applications. Read complete Disclaimer Notice at <http://www.littelfuse.com/disclaimer-electronics>.