

# CL Series

## Single Pole Power Rocker Switches



### Description

The CL series are single pole power rocker switches, perfect for power outlet strips, HVAC units and floor care products. CL switches are resilient, feature positive detent, snap-in mounting and are available with optional illumination.

### Features & Benefits

- Illuminated versions available
- Snap-in mounting
- Positive detent

### Applications

- Floor care products
- HVAC units
- Power outlet strips
- RoHS compliant

### Agency Approvals

Agency	Agency File Number
	E42363

### Specifications

<b>Contact Rating</b>	16 amps @ 125 VAC, 1/3 HP; 10 amps @ 250 VAC, 1/2 HP.
<b>Electrical Life</b>	10,000 make-and-break cycles at full load.
<b>Dielectric Strength</b>	1,500 Vrms min. @ sea level.
<b>Insulation Resistance</b>	10 <sup>9</sup> Ω min.
<b>Operating Temperature</b>	-20°C to 80°C

### Materials

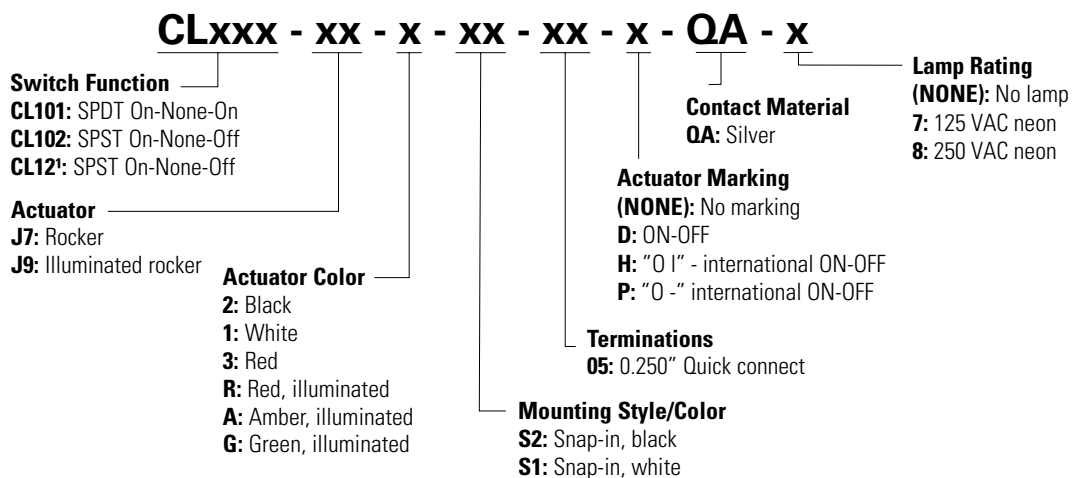
<b>Actuator &amp; Housing</b>	6/6 nylon (UI 94V-2), black, matte finish.
<b>Illuminated Actuator</b>	Polycarbonate, matte finish.
<b>Center Contacts</b>	Silver plated, copper alloy.
<b>End Contacts</b>	Silver plated.
<b>All Terminals</b>	Silver plated, copper alloy.

**Notes:**

Specifications and materials listed above are for switches with standard options. For information on specific and custom switches, consult Customer Service Center.

### Ordering Number

To order, simply select desired option from each category and place in the appropriate box. For additional options not shown in catalog, consult Customer Service Center.



**Notes:**  
1. CL12 — for switches with both marking and illumination

# CL Series

## Single Pole Power Rocker Switches

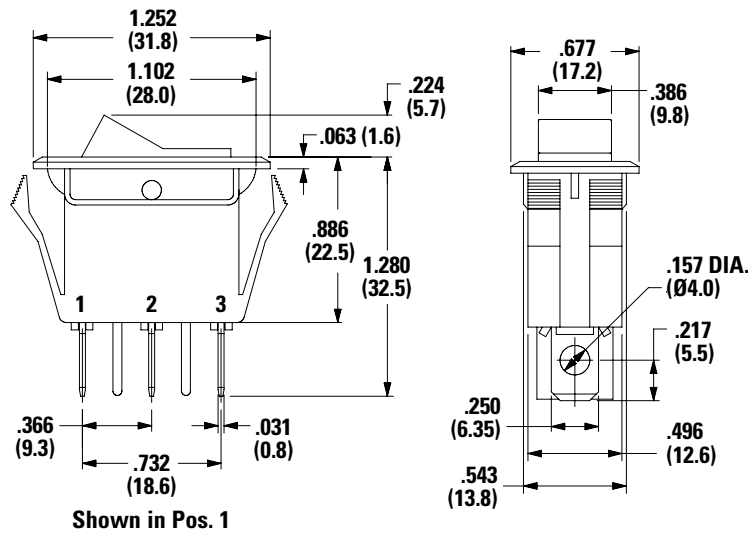


### Switch Function

No. Poles	Model No.	Switch Function			Connected Terminals			Schematic
		POS.1	POS.2	POS.3	POS.1	POS.2	POS.3	
SP	CL101	ON	NONE	ON	2-1	N/A	2-3	
	CL102	ON	NONE	OFF	2-1	N/A	OPEN	
	CL12 <sup>1</sup>	ON	NONE	OFF	2-1	N/A	OPEN	

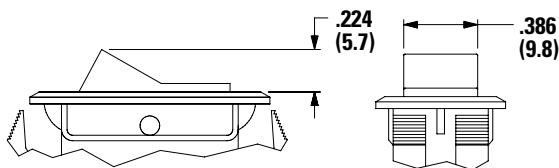
**Note:**  
 1. CL12 — for switches with both marking and illumination

### Dimensions inches (mm)



### Actuator inches (mm)

**J7 Rocker**  
**J9 Illuminated Rocker**



**Note:** J9 actuator available with CL102 & CL12 switch function only.

### Actuator Color

Option Code	Actuator Color
2	Black
1	White
3	Red
R	Red, Illuminated
A	Amber, Illuminated
G	Green, Illuminated

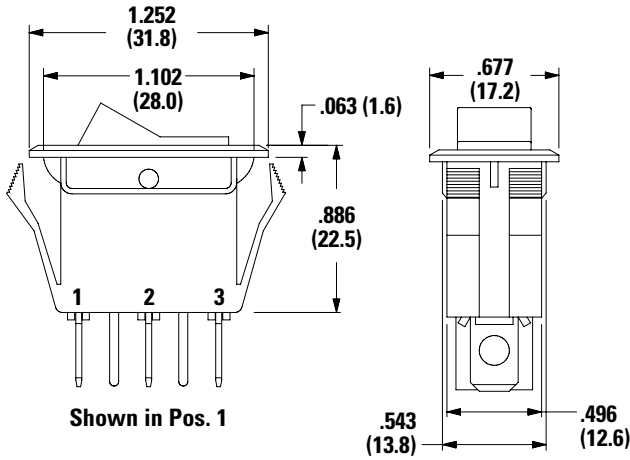
# CL Series

## Single Pole Power Rocker Switches

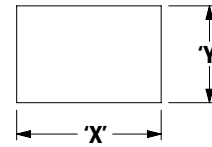


### Mounting Style/Color inches (mm)

S2 Snap-in, Black  
S1 Snap-in, White



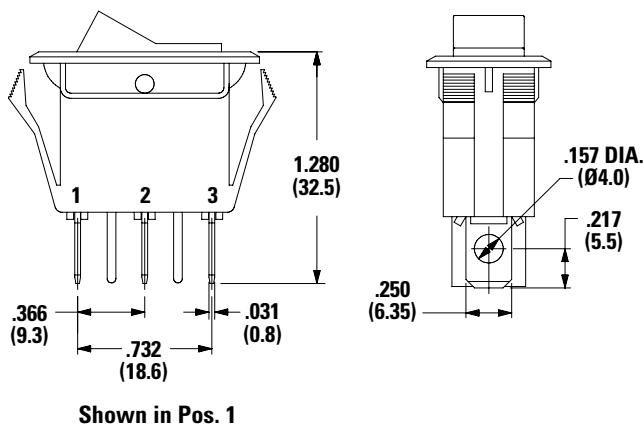
### Panel Mounting



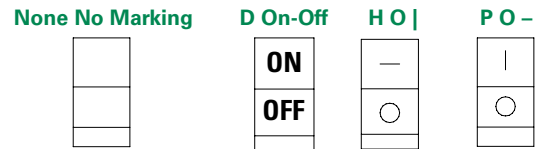
Panel Thickness	"X"	"Y"
0.030-0.049 (0.75-1.25)	1.087-0.004 (27.6-0.1)	0.543 + .004 (13.8+0.1)
0.049-0.079 (1.25-2.0)	1.094-0.004 (27.8-0.1)	
0.079-0.118 (2.0-3.0)	1.102-0.004 (28.0-0.1)	

### Termination inches (mm)

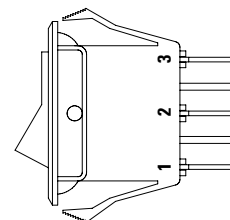
05 0.250" Quick Connect



### Actuator Markings



Shown in Pos. 1



Note: Orientation of actuator marking and terminals.

# CL Series

## Single Pole Power Rocker Switches



### Contact Material

Option Code	Contact and Terminal Material	Ratings	
QA	Silver	Power	16 amps @ 125 VAC; 1/3 HP; 10 amps @ 250 VAC, ½ HP

**Notes:** See Technical Data section of this catalog for RoHS compliant and compatible definitions and specifications. 

### Lamp Rating

- (NONE)** No Lamp
- 7** 125 VAC 33kΩ Neon
- 8** 250 VAC 150kΩ Neon

**Note:** Lamp rating for J9 actuator option.

**Disclaimer Notice** - Information furnished is believed to be accurate and reliable. However, users should independently evaluate the suitability of and test each product selected for their own applications. Littelfuse products are not designed for, and may not be used in, all applications. Read complete Disclaimer Notice at <http://www.littelfuse.com/disclaimer-electronics>.