

DF Series

Power Rocker Switches



Description

The DF series of switches are found in power supply applications, as well as in off-road vehicles and various appliances. Product designers for these fields need switch solutions that can protect against environmental damage and can support repeated use over time. The DF series power rocker switch offers power switching up to 16 A, sub-panel or Front-panel mounting and multi-position and multi-pole functions, making it easy to ensure the switch will fit your design.

Features & Benefits

- Power switching up to 16 AMPS
- Sub-panel and Front-panel mounting
- RoHS compliant
- Multi-position and multi-pole function
- PC and quick connect terminals

Agency Approvals

Agency	Agency File Number
	E42363

Specifications

Contact Rating	16 amps @ 125, 250 V AC; ¼ HP @ 125 V AC; ½ HP @ 250 V AC; 6 amps @ 48 V DC, 2 amps @ 60 V DC, 11 amps @ 30 V DC
Electrical Life	10,000 make-and-break cycles at full load.
Dielectric Strength	1,000 Vrms min. @ sea level.
Insulation Resistance	10 ⁹ Ω min.
Operating Temperature	-20°C to 85°C

Applications

- Computers
- Power supplies
- Appliances
- Fitness equipment
- Off-road vehicles

Materials

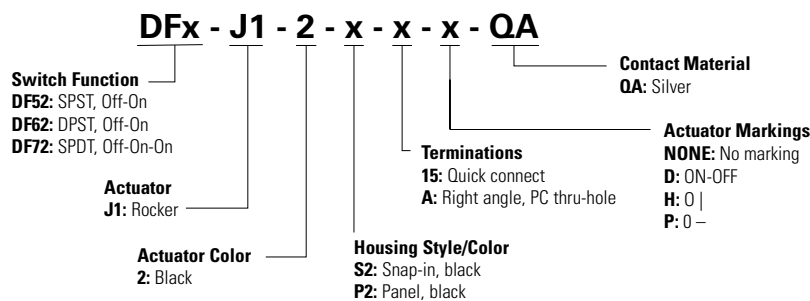
Actuator & Housing	6/6 nylon (UI 94V-2), black, finish: matte.
Contacts	Fine silver, silver plated
Terminals	Copper, silver plated.
Contact Spring	Music wire or stainless steel.

Notes:

Any models supplied with QA contact material are RoHS compliant. Specifications and materials listed above are for standard switches. For information on specific and custom switches, consult Customer Service Center.

Ordering Number

To order, simply select desired option from each category and place in the appropriate box. For additional options not shown in catalog, consult Customer Service Center.



DF Series

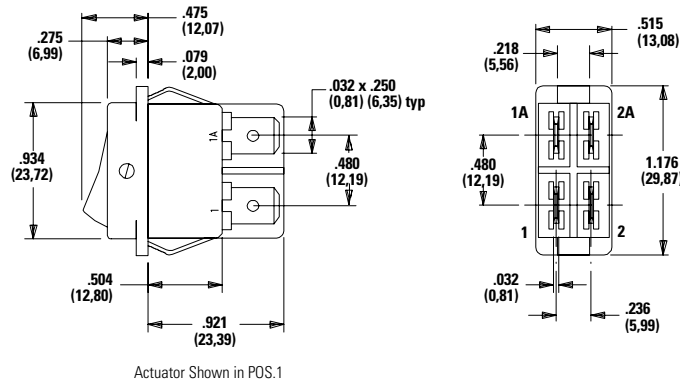
Power Rocker Switches



Switch Function

No. Poles	Model No.	Switch Function		Connected Terminals		Schematic
		POS.1	POS.2	POS.1	POS.2	
SP	DF52	OFF	ON	OPEN	1-1A	
DP	DF62	OFF	ON	OPEN	1-1A, 2-2A	

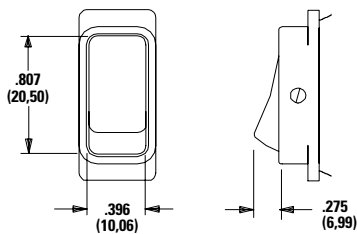
Note: Part Number shown DF62J12S215QA



No. Poles	Model No.	POS.1	POS.2	POS.3	POS.1	POS.2	POS.3	Schematic
SP	DF72	OFF	ON		OPEN	1 / 2-2A	1 / 2-1A 1 / 2-2A	

Note: All models C US

Actuator & Actuator Color J1 Rocker



Option Code	Actuator Color
2	Black

Note: Actuator finish: matte. Other colors available, consult Customer Service Center.

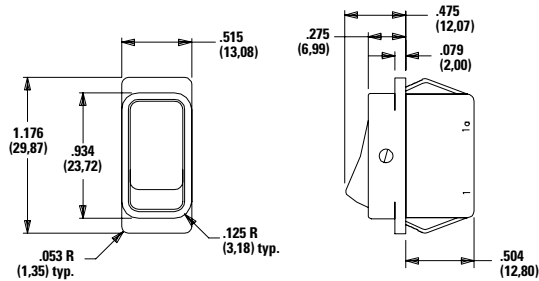
DF Series

Power Rocker Switches



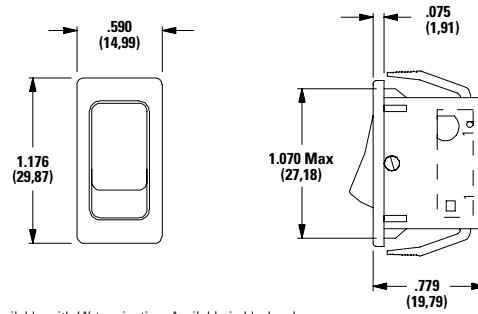
Housing Style/Color

S2 Sub-panel



Note: DF52 & DF62 models only.

P2 Panel



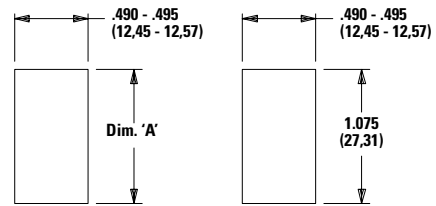
Note: Not available with 'A' termination. Available in black only.

Panel Thickness	DIM 'A'
0.029–0.048 (0.74) (1.22)	1.021 (25.93)
0.048–0.078 (1.22) (1.98)	1.029 (26.14)
0.078–0.117 (1.98) (2.97)	1.045 (26.54)
0.075–0.140 (1.91) (3.56)	1.075 (27.31)

Option Code	Housing Color
2	(STD.) Black
1	White

Note: Housing finish: matte. Other colors available, consult Customer Service Center.

Panel Mounting

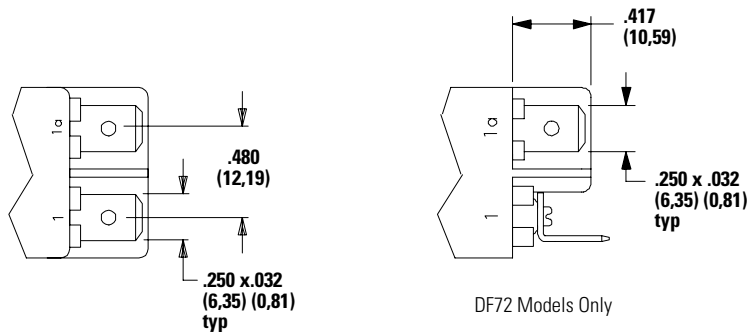


DF52 & DF62 Models with 'S' housing style

DF52, DF62 & DF72 Models with 'P2' & 'G2' housing style

Terminations

15 Quick Connect

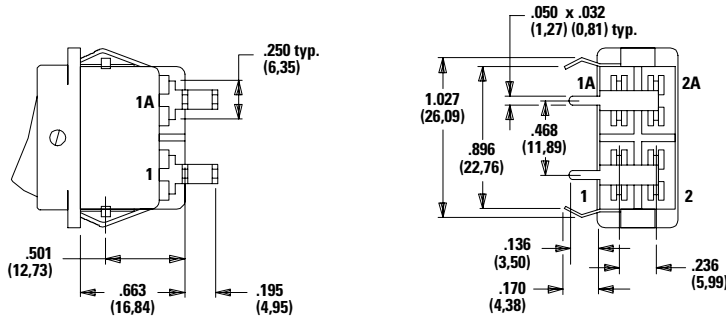


DF Series

Power Rocker Switches

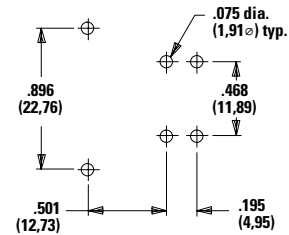


A Right Angle, PC Thru-hole

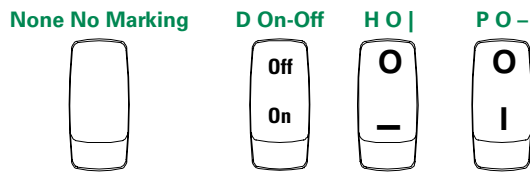


Note: DF52 & DF62 models only.

PC Mounting



Actuator Markings



Notes: 'D, H, & P' marking options: marking color white, standard for all actuator colors except white. Marking color black, standard for white actuators. Consult Customer Service Center for other available marking colors.

Contact Material

Option Code	Contact and Terminal Material		Ratings
QA	Silver ^{1,2}	Power	16 amps @ 125, 250 V AC; ¼ HP @ 125 V AC; ½ HP @ 250 V AC; 6 amps @ 48 V DC (UL), 2 amps @ 60 V DC, 11 amps @ 30 V DC
			16 amps @ 125, 250 V AC; ¼ HP @ 125 V AC; ½ HP @ 250 V AC (UL)

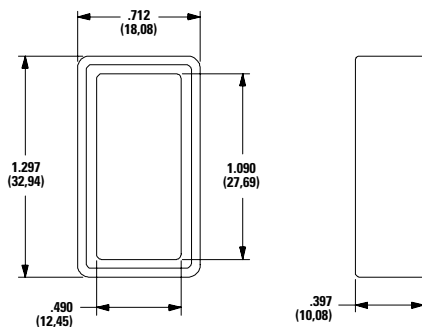
Notes: See Technical Data section of this catalog for RoHS compliant and compatible definitions and specifications.

1. Contacts: Fine silver, silver plated.

2. Terminals: Copper, silver plated.

All models © Littelfuse

Available Hardware Actuator Guard



Part No. 285B02000
Material: Nylon 6/6
Finish: Matte

Disclaimer Notice - Information furnished is believed to be accurate and reliable. However, users should independently evaluate the suitability of and test each product selected for their own applications. Littelfuse products are not designed for, and may not be used in, all applications. Read complete Disclaimer Notice at <http://www.littelfuse.com/disclaimer-electronics>.