

RW Series

Sub-miniature Rotary Switches



Description

RW series are rotary switches, typically used in audio & visual equipment, consumer electronics and digital cameras. These high-quality switches feature subminiature design, are available with 10 positions and come in an optional SMT version.

Features & Benefits

- 10 positions
- SMT version
- Subminiature design

Applications

- Digital cameras
- Audio & visual equipment
- Consumer electronics
- Selector dial interface

Specifications

Contact Arrangement	1 Pole, 10 Position
Contact Rating	10 mA @ 5 V DC
Electrical Life	7,000 cycles
Initial Contact Resistance	200 mΩ max.
Insulation Resistance	250M Ω min.
Dielectric Strength	250 VAC (50-60 Hz)
Twist Force	90 ± 15 gf
Operating Temperature	-30°C to 80°C

Materials

Knob	PA (UL 94V-0)
Actuator	Silver plated
Housing	LCB (UL94V-0)
Terminal	Silver plated

Notes: Specifications and materials listed above are for switches with standard options. For information on specific and custom switches, consult Customer Service Center.

RW Series

Sub-miniature Rotary Switches



How to Order

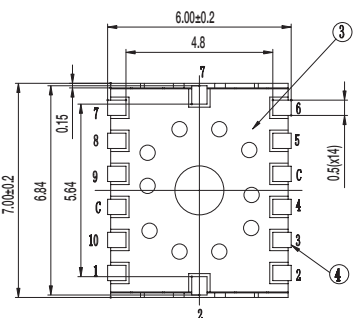
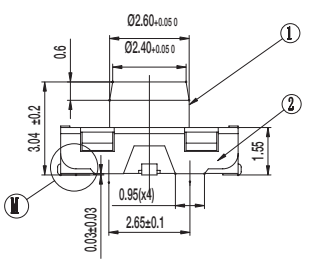
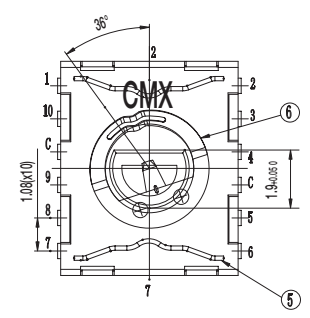
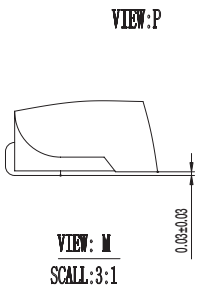
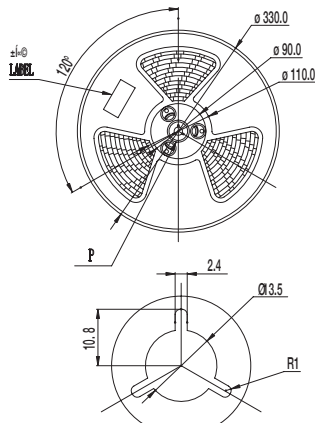
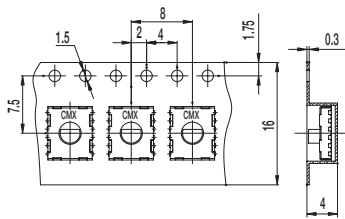
Part number list is shown below. For individual part details, please refer to the following pages.

Part Number (Part Description)	Product Details
RW-1106-NS RT	10 Position Subminiature Rotary Switch

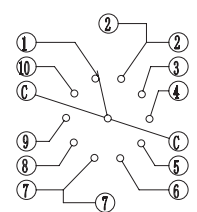
Packaging



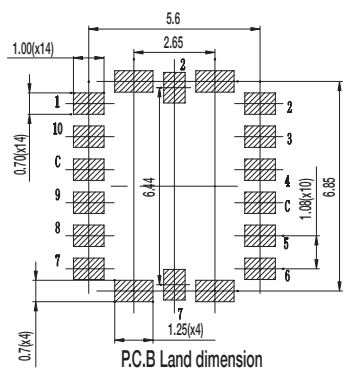
Part Number	Packaging
RW-1106-NS RT	2,000 pieces per reel



	0°	36°	72°	108°	144°	180°	216°	252°	288°	324°	360°
C-1	ON										ON
C-2	OFF	ON									OFF
C-3	OFF		ON								OFF
C-4	OFF			ON							OFF
C-5	OFF				ON						OFF
C-6	OFF					ON					OFF
C-7	OFF						ON				OFF
C-8	OFF							ON			OFF
C-9	OFF								ON		OFF
C-10	OFF									ON	OFF



Circuit Diagram



P.C.B Land dimension

Disclaimer Notice - Information furnished is believed to be accurate and reliable. However, users should independently evaluate the suitability of and test each product selected for their own applications. Littelfuse products are not designed for, and may not be used in, all applications. Read complete Disclaimer Notice at <http://www.littelfuse.com/disclaimer-electronics>.