

SAMXD Series

Dust Protected Seat Adjustment Switches



Description

2 and 4 ways power switches for seat adjustment. Capable of handling 15A at 14VDC power, this SAMXD new version is dust proof and can offer different style of actuators, with or without spring pin for interface button tolerance management.

Features & Benefits

- Multi-directional 2 & 4 ways
- IP5x
- Power handling for motor direct drive
- THT terminations

Applications

- Seat adjustment module for passenger cars
- Industrial Joystick
- Seat adjustment module for commercial vehicles

Specifications

Function	Momentary Action
Contact Arrangement	SPDT per switching circuit
Switching Mode	Non-Shorting
Terminals	THT - Through Hole Terminals

Electrical Characteristics

Rating	15A @ 14V DC
Initial Contact Resistance	<50mΩ per switching circuit
Jump Start	26 VDC for 1 minute
Over Voltage	18 VDC for 60 minute at 65°C
Over Current	30A at 14V for 10 minute
Bounce Time	< 10ms

Environmental Characteristics

Operating Temperature	-40°C to 85°C
Sealing Level	IP5x

P/N	Description		Actuator Position	Actuator Shape	Spring Pin	Cycles	Operating Force (N)	Travel (mm)
SAMXDH2LR14SP	SAM XD 2W LR Switch	2 way	Left	Round	Yes	30,000	5.3 ± 1.5	1.3 ± 0.4
SAMXDH2LR10SP	SAM XD 2W LR Switch	2 way	Left	Round	Yes	30,000	6.0 ± 1.75	1.0 ± 0.4
SAMXDH2LR10	SAM XD 2W LR Switch	2 way	Left	Round	No	30,000	6.0 ± 1.75	1.0 ± 0.4
SAMXDH2LS11	SAM XD 2W LS Switch	2 way	Left	Square	No	30,000	6.0 ± 1.75	1.0 ± 0.4
SAMXDH2MR14SP	SAM XD 2W MR Switch	2 way	Middle	Round	Yes	30,000	5.3 ± 1.5	1.3 ± 0.4
SAMXDH2MR10SP	SAM XD 2W MR Switch	2 way	Middle	Round	Yes	30,000	6.0 ± 1.75	1.0 ± 0.4
SAMXDH4MR11SP	SAM XD 4W MR Switch	4 way	Middle	Round	Yes	30,000	6.0 ± 1.75	1.2 ± 0.4
SAMXDH4MS11	SAM XD 4W MR Switch	4 way	Middle	Square	No	30,000	6.0 ± 1.75	1.2 ± 0.4

SAMXD Series

Dust Protected Seat Adjustment Switches



Ordering Number

Our easy build-a-switch concept allows you to mix and match options to create the switch you need. To order, select desired option from each category and place it in the appropriate box. For any part number different from those listed above, please consult your local representative.

SAMXD - H - x - x - x - x - x

Power Handling
H: High Power

Number of Ways
2: 2 ways
4: 4 ways

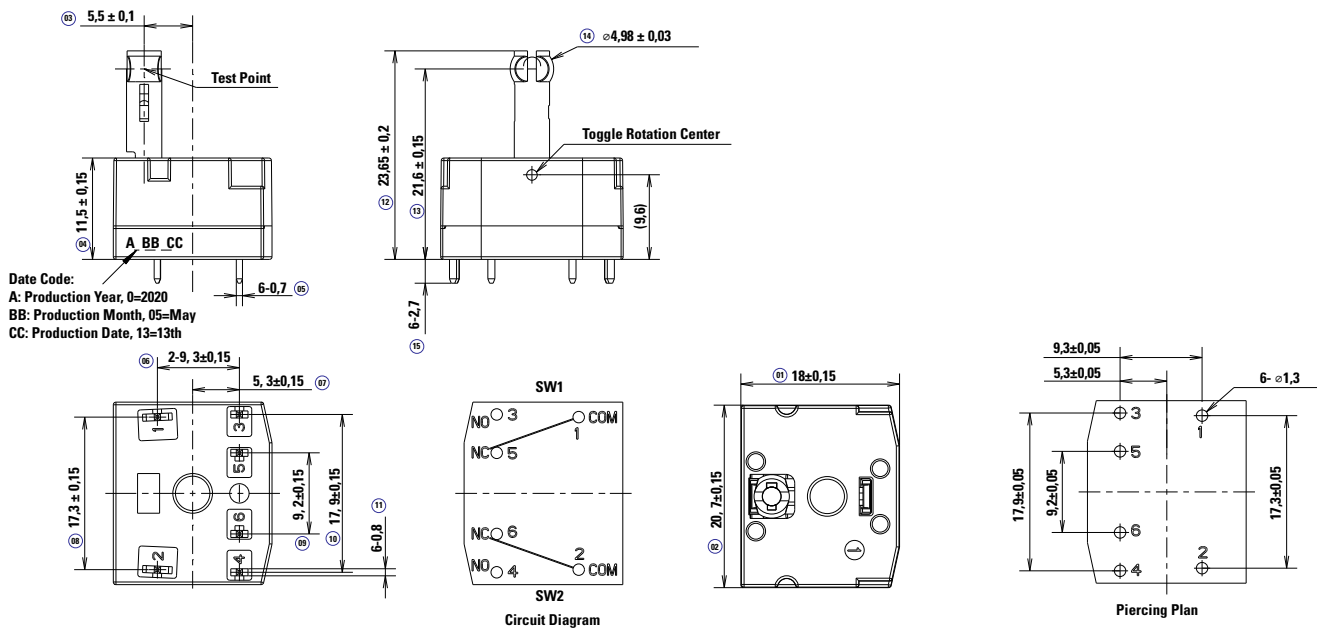
Actuator Location
M: Middle
L: Left (for 2 ways only)

SP: Spring and ejection pin
NONE: No spring and ejection pin

Actuator Height
 Distance from top of casing to reference point (See drawings)

Actuator Shape
R: Round
S: Square

SAMXDH2LR10

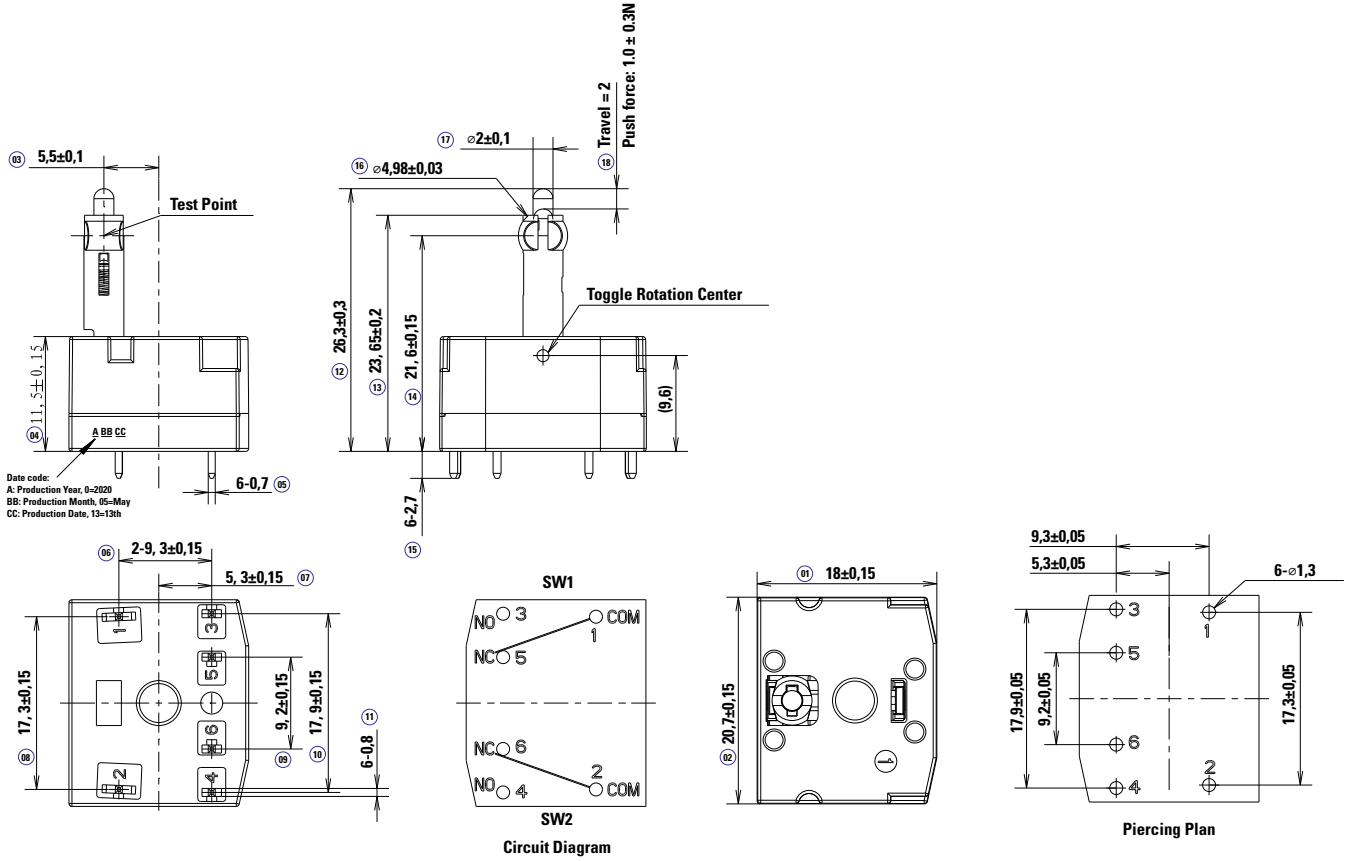


SAMXD Series

Dust Protected Seat Adjustment Switches



SAMXD2LR10SP

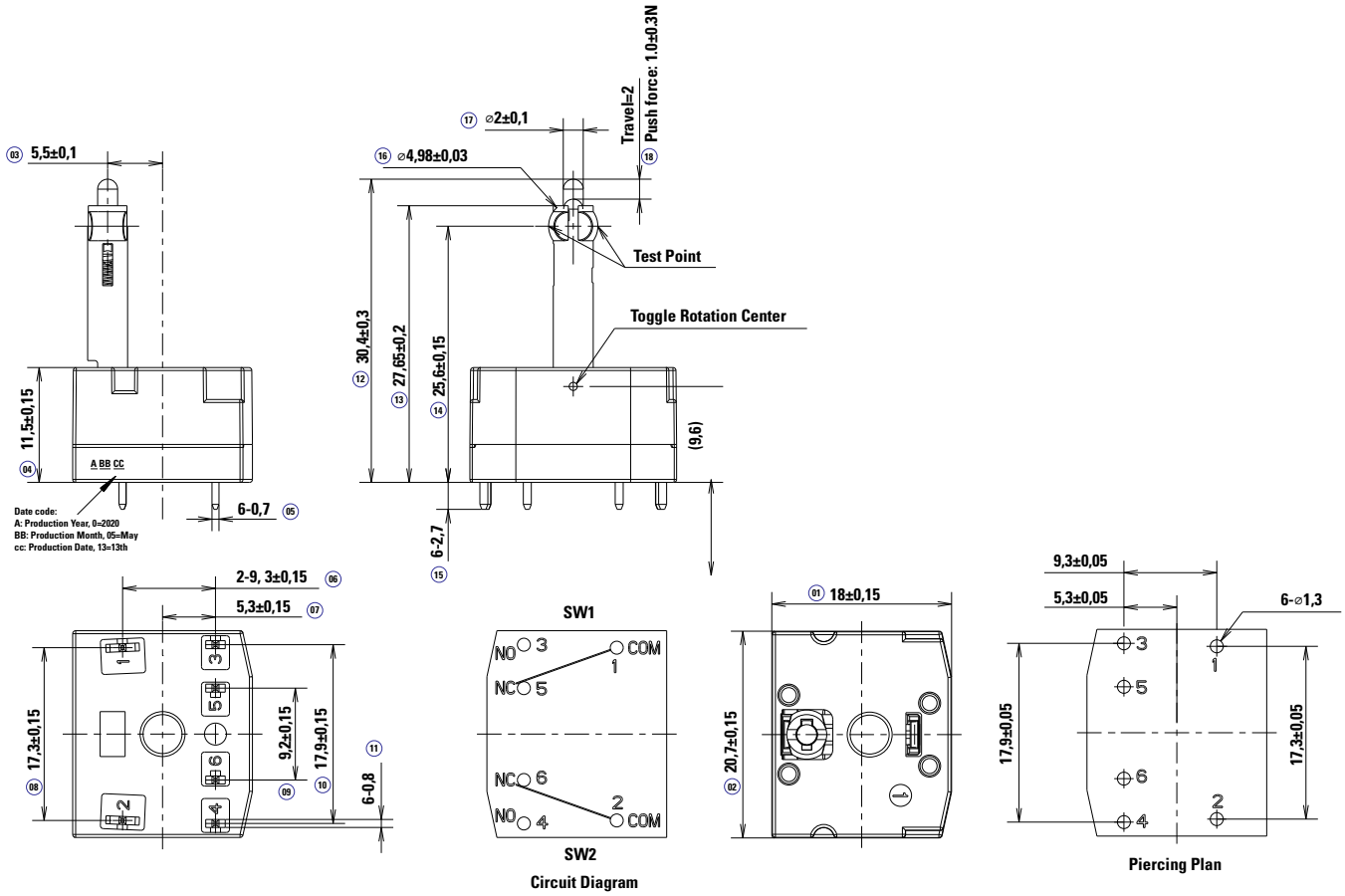


SAMXD Series

Dust Protected Seat Adjustment Switches



SAMXDH2LR14SP

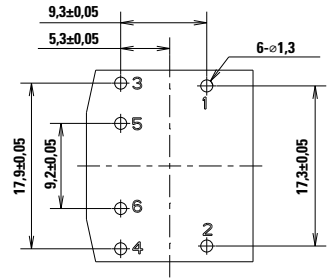
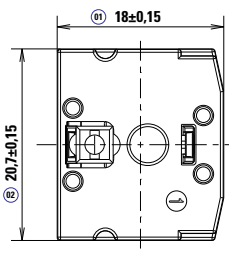
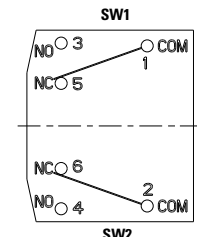
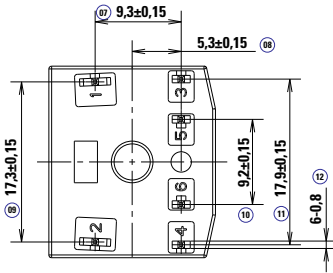
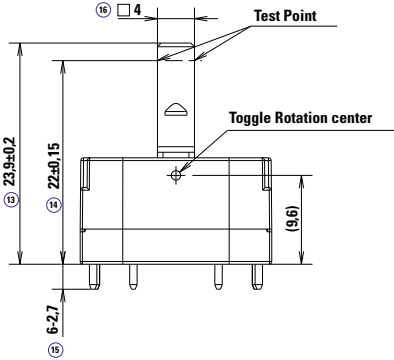
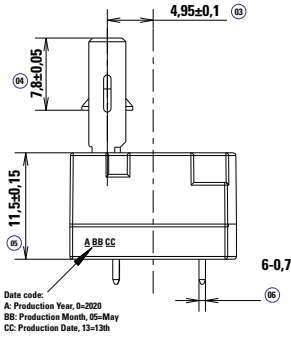


SAMXD Series

Dust Protected Seat Adjustment Switches



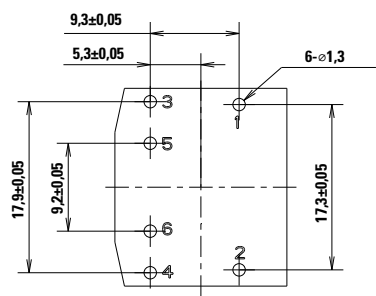
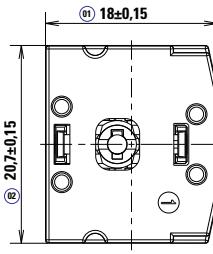
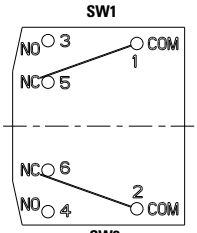
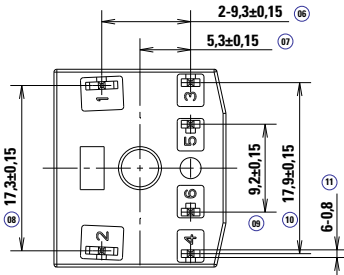
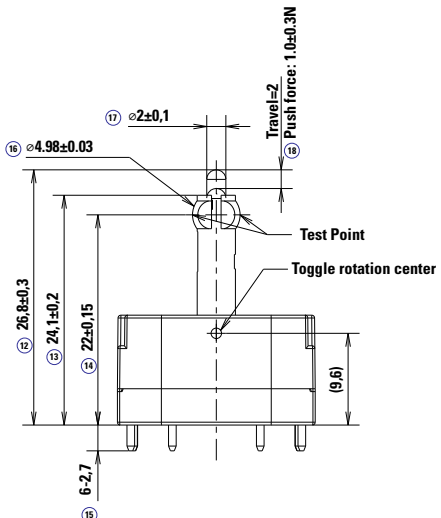
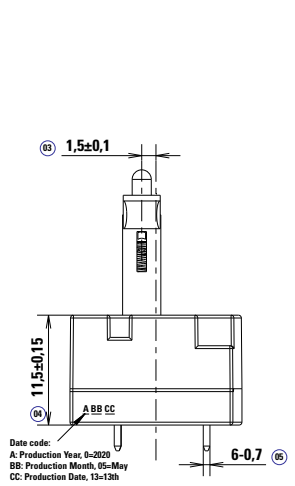
SAMXDH2LS11



Circuit Diagram

Piercing Plan

SAMXDH2MR10SP



Circuit diagram

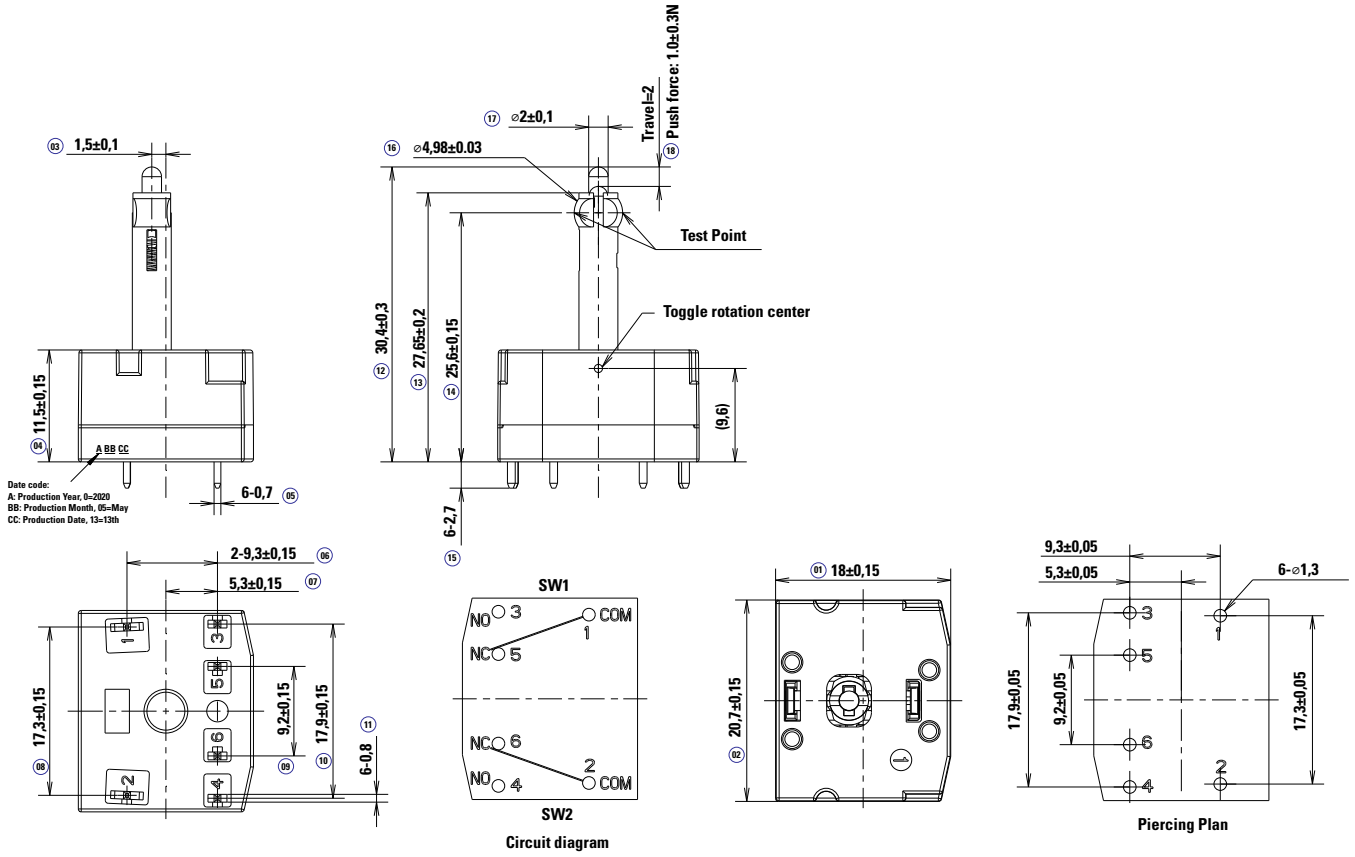
Piercing Plan

SAMXD Series

Dust Protected Seat Adjustment Switches



SAMXDH2MR14SP

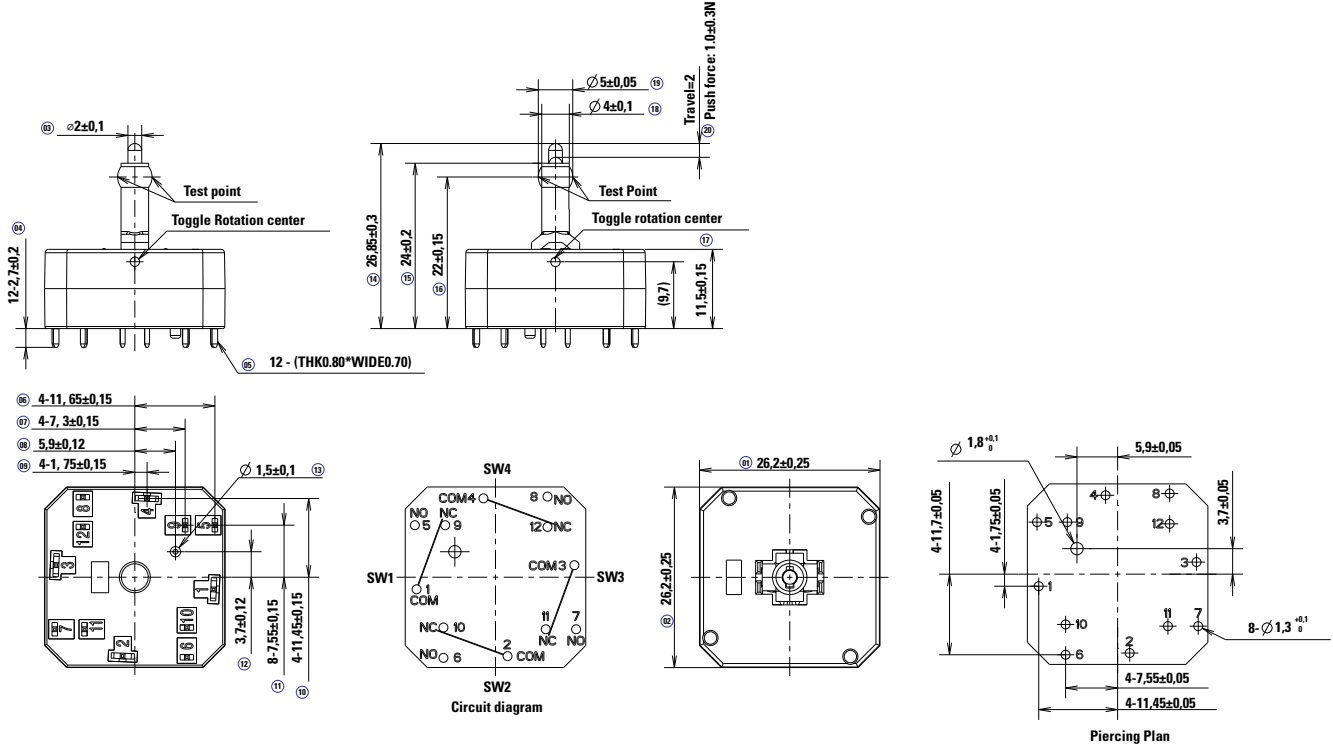


SAMXD Series

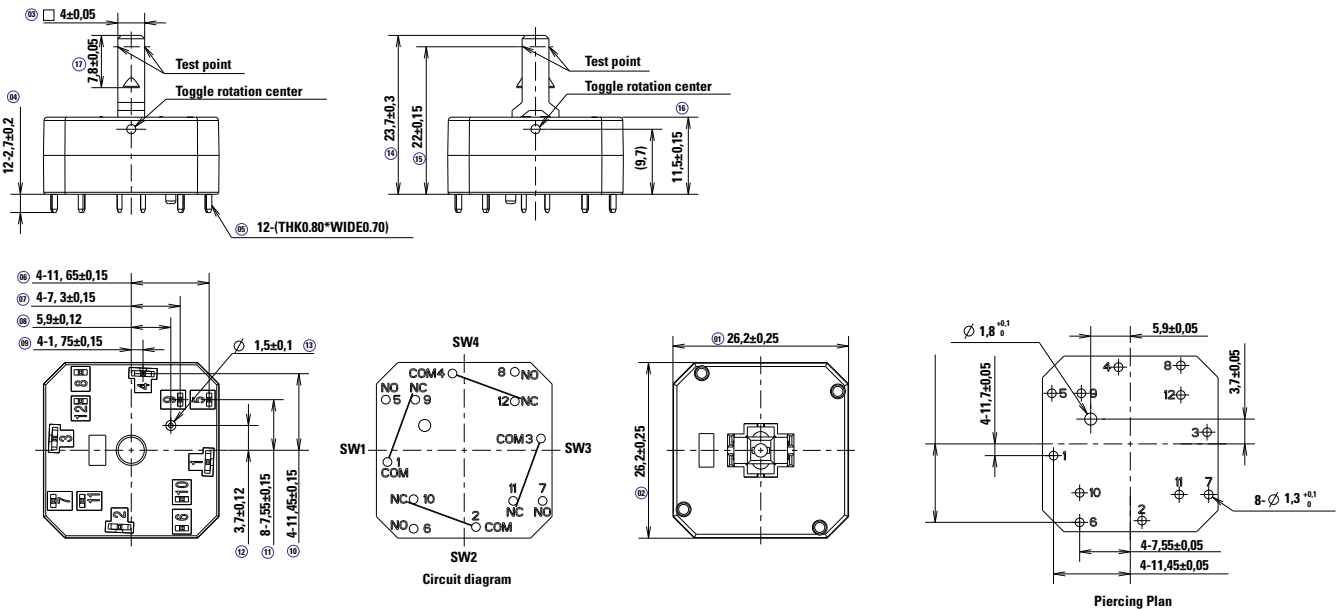
Dust Protected Seat Adjustment Switches



SAMXDH4MR11SP



SAMXDH4MS11



Disclaimer Notice - Information furnished is believed to be accurate and reliable. However, users should independently evaluate the suitability of and test each product selected for their own applications. Littelfuse products are not designed for, and may not be used in, all applications. Read complete Disclaimer Notice at <http://www.littelfuse.com/disclaimer-electronics>.