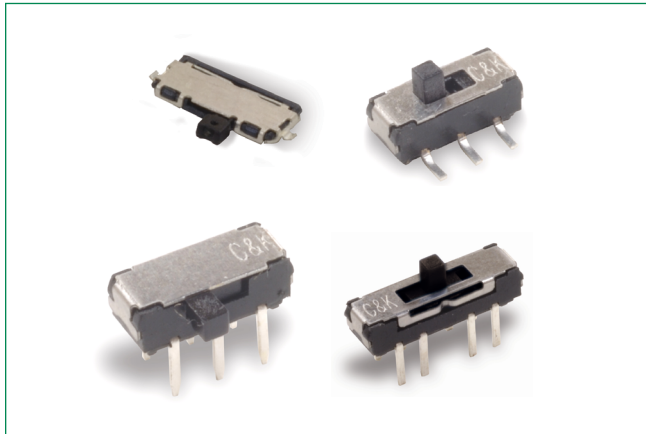


JS Series

Sub-Miniature Slide Switches



Description

Designers of telecommunication products, computer peripherals, thermostat select switches, and other various instrumentations need a switch that's low-profile while still performing at a high level. The JS series sub-miniature slide switches feature positive detent, an IR reflow to 260° solder profile, surface and thru hole mounting – and are available in SPDT, DPDT and DP3T models.

Features & Benefits

- Positive detent
- Low profile
- IR reflow to 260° solder profile
- Surface and thru hole mounting
- SPDT, DPDT, DP3T models
- RoHS compliant

Applications

- Telecommunication products
- Computer peripherals
- Thermostat select switch
- Instrumentation
- Medical

Specifications

Contact Rating	0.3A @ 6VDC or 0.1A @ 30VDC
Electrical Life	5,000 make-and-break cycles
Contact Resistance	70 m Ω max.
Insulation Resistance	100 M Ω min. @ 500V
Dielectric Strength	500 VAC min. @ sea level
Operating Temperature	-40°C to 85°C
Storage Temperature	-40°C to 85°C

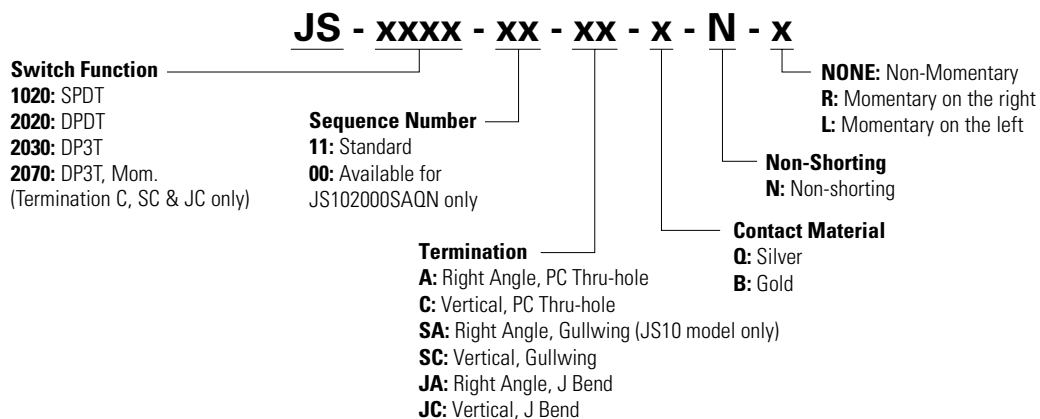
Materials

Housing	4/6 nylon, black
Actuator	4/6 nylon, black (some options white)
Contacts	Copper alloy, silver or gold plated
Terminals	Brass, silver or gold plated

Notes: Specifications and materials listed above are for switches with standard options. For information on specific and custom switches, consult Customer Service Center.

Ordering Number

Our easy build-a-switch concept allows you to mix and match options to create the switch you need. To order, select desired option from each category and place it in the appropriate box.



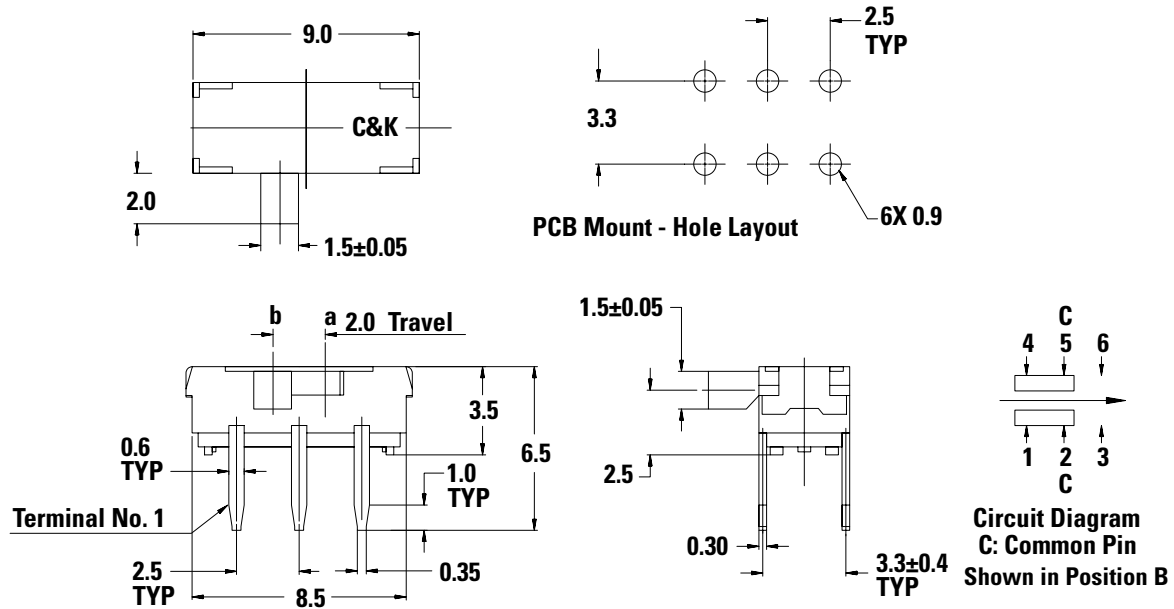
JS Series

Sub-Miniature Slide Switches

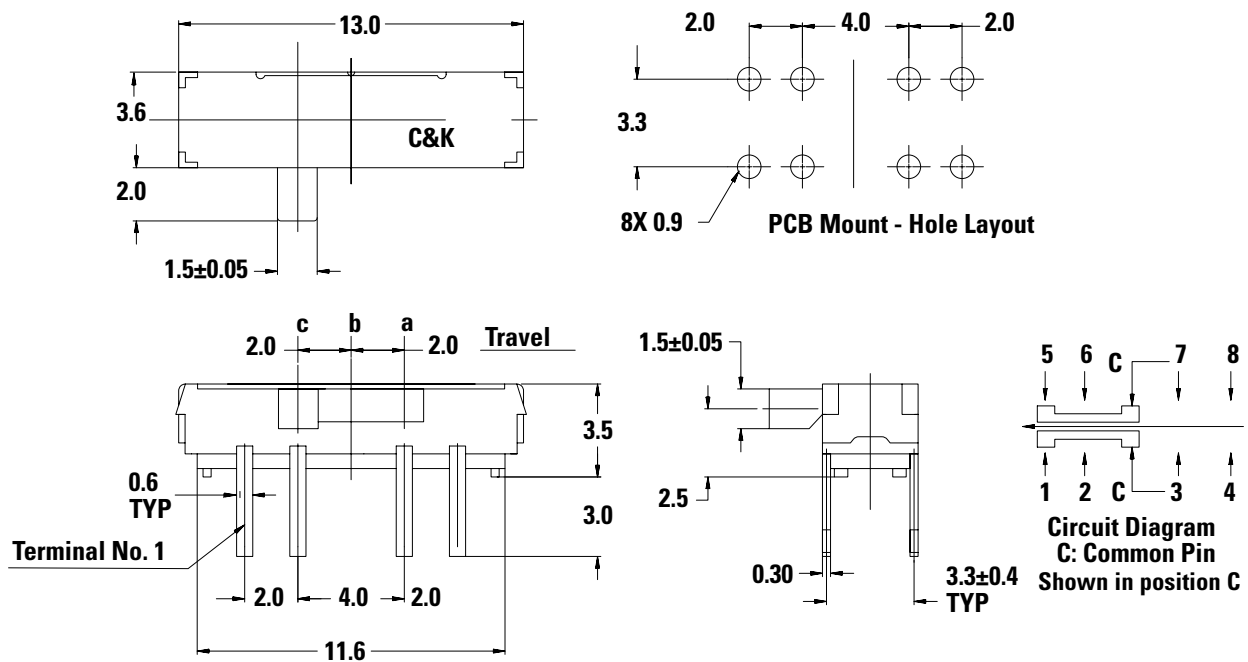


Right Angle, PC Thru-hole

JS202011AQN DPDT Shown in Position B



JS203011AQN DP3T Shown in Position B



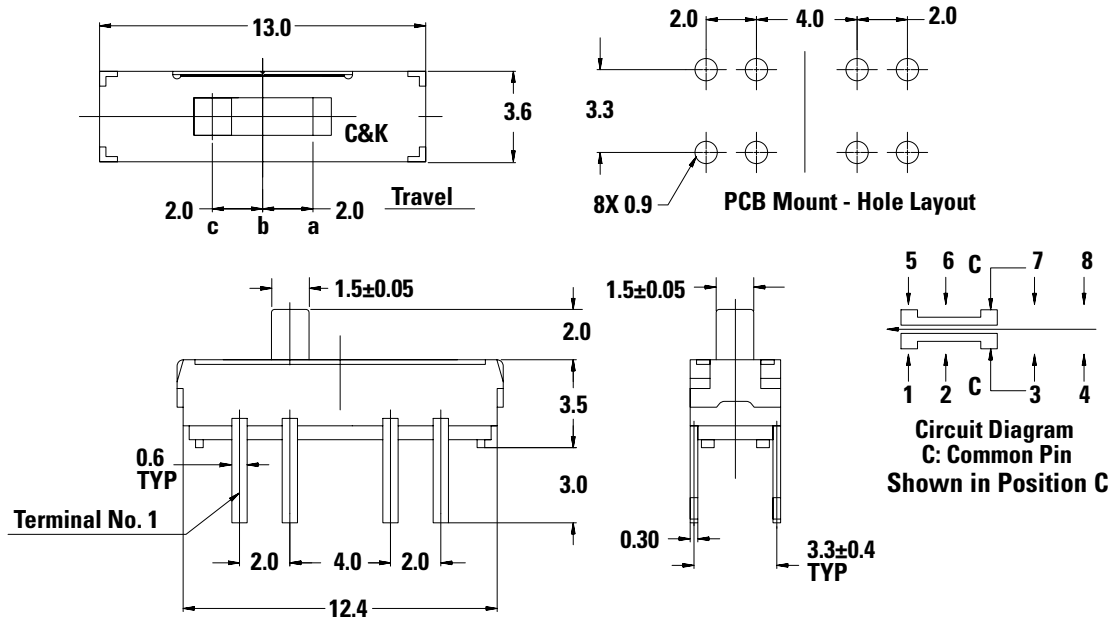
JS Series

Sub-Miniature Slide Switches

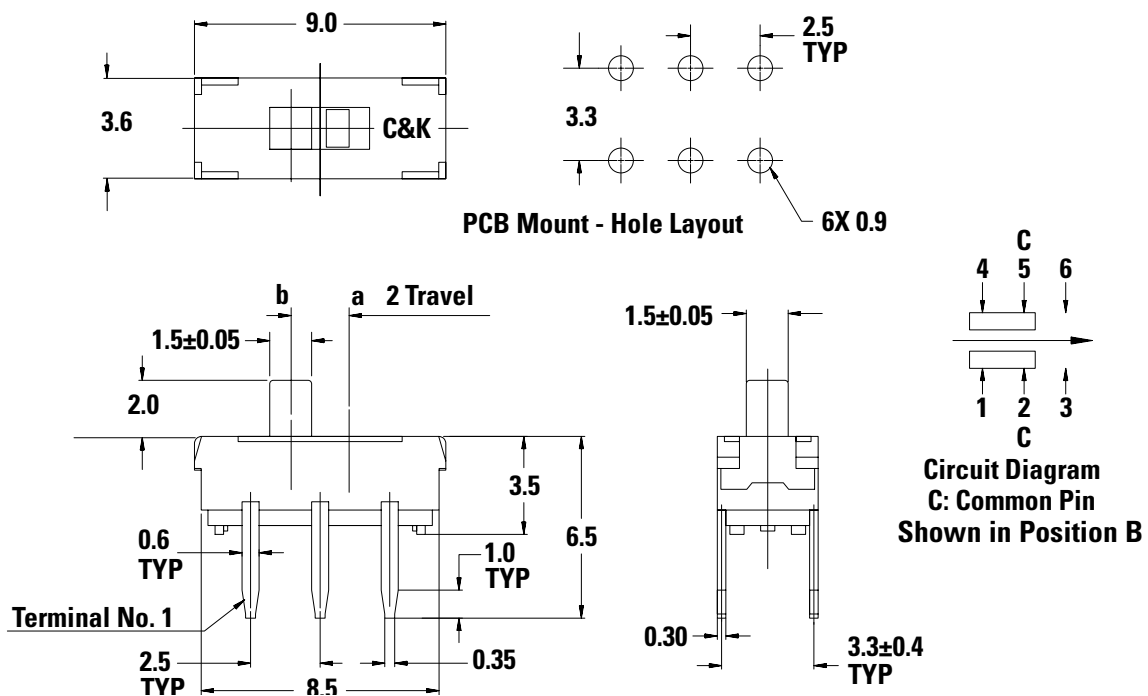


PCThru-hole

JS203011CQN DP3T Shown in Position B



JS202011CQN DPDT Shown in Position A



JS Series

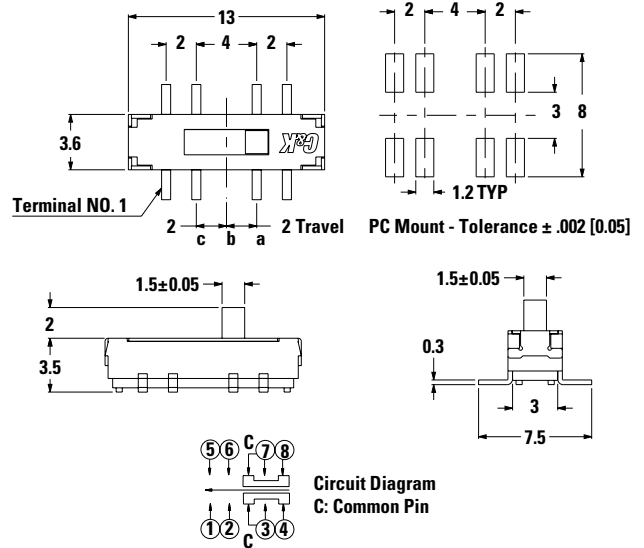
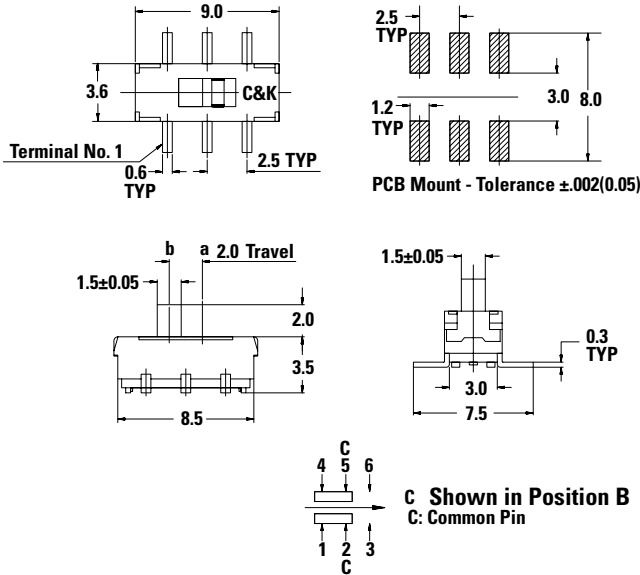
Sub-Miniature Slide Switches



Surface Mount

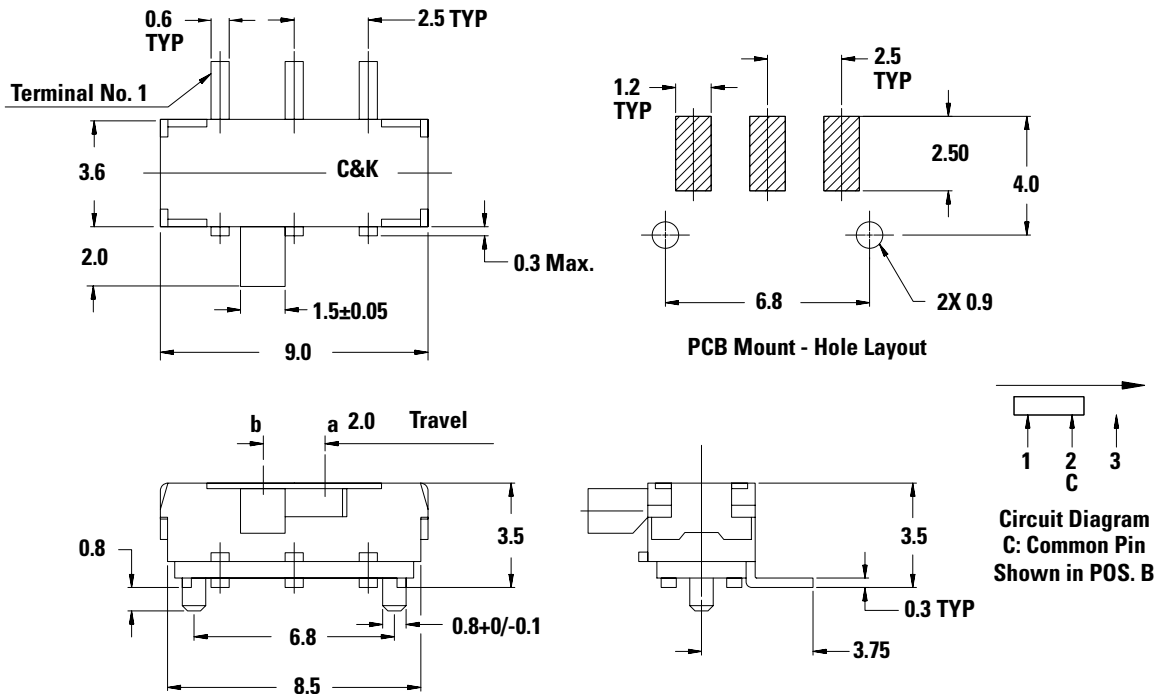
JS202011SCQN DPDT Shown in position B. Quantity per reel 1000. Available in tape & reel only

JS203011SCQN DP3T Quantity per reel 900. Available in tape & reel only



Right Angle Surface Mount

JS102011SAQN SPDT Shown in position A. Available in tape & reel only



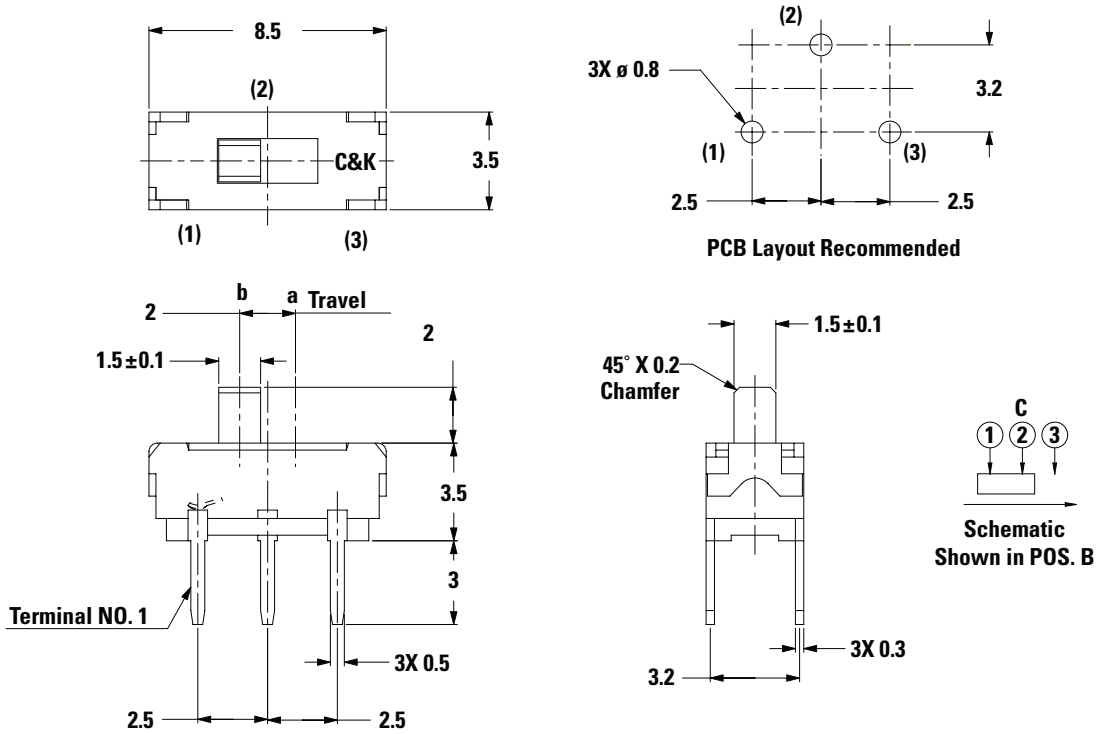
JS Series

Sub-Miniature Slide Switches



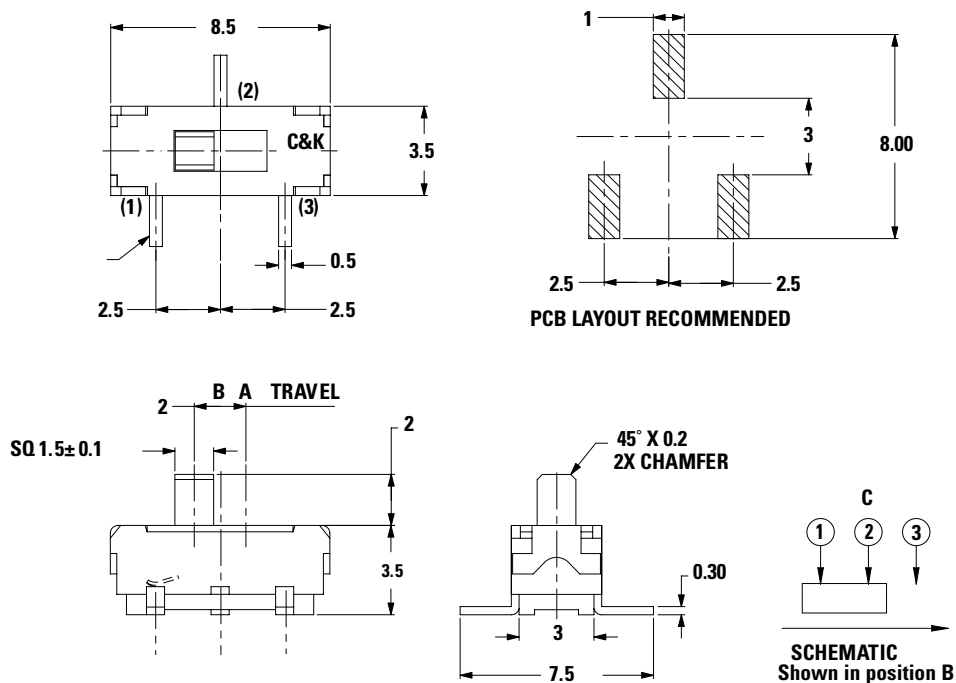
PC Thru-hole

JS102011CQN SPDT Shown in position A.



Surface Mount

JS102011SCQN SPDT



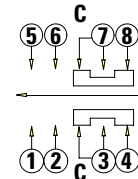
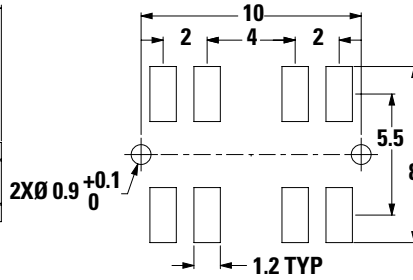
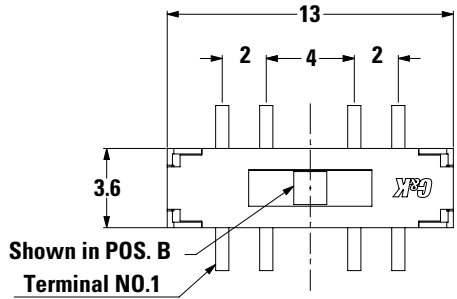
JS Series

Sub-Miniature Slide Switches



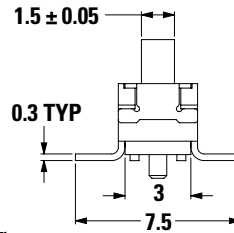
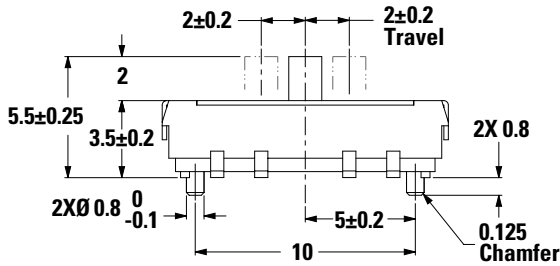
Surface Mount

JS207011SCQNR DP3T Shown in position B.



Circuit Diagram C: Common Pin Bottom View

PC Mount - Tolerance ±.05



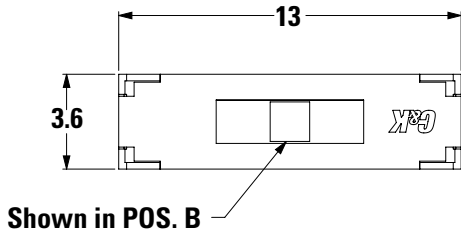
Switch Function		
 POS.C C&K (MOM)	 POS.B C&K On	 POS.A C&K
Connected Terminals		
1-3, 5-7	2-3, 6-7	3-4, 7-8

JS Series

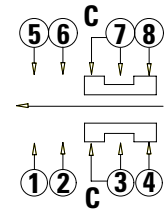
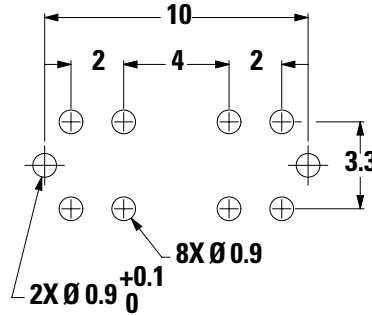
Sub-Miniature Slide Switches



PC Thru-hole JS207011CQNR DP3T shown in position B

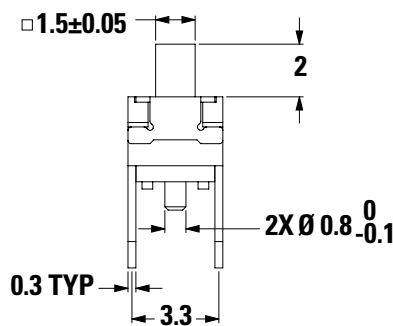
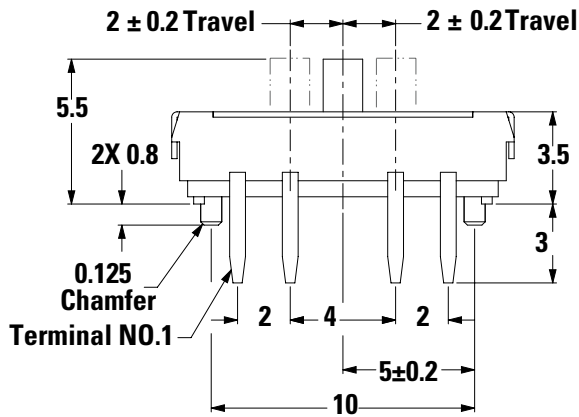


Shown in POS. B



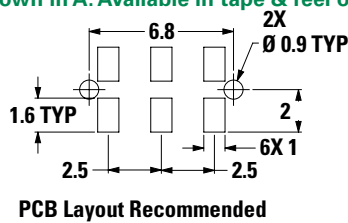
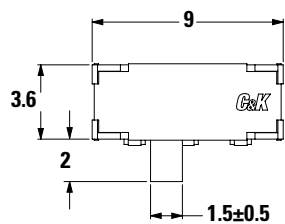
PC Mount - Tolerance ± .05

Circuit Diagram
C: Common Pin
Bottom View

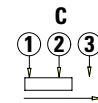


Switch Function		
POS.c C&K →	POS.b C&K →	POS.a C&K →
(MOM)	On	
Connected Terminals		
1-3, 5-7	2-3, 6-7	3-4, 7-8

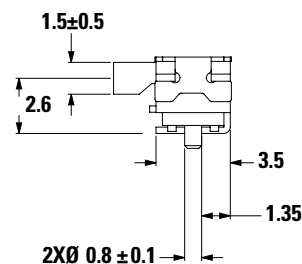
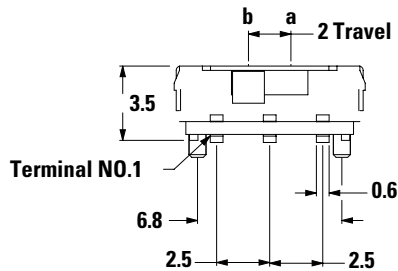
Right Angle Surface Mount JS102011JAQN SPDT Shown in A. Available in tape & reel only



PCB Layout Recommended



Circuit Diagram
C: Common Pin
Bottom View



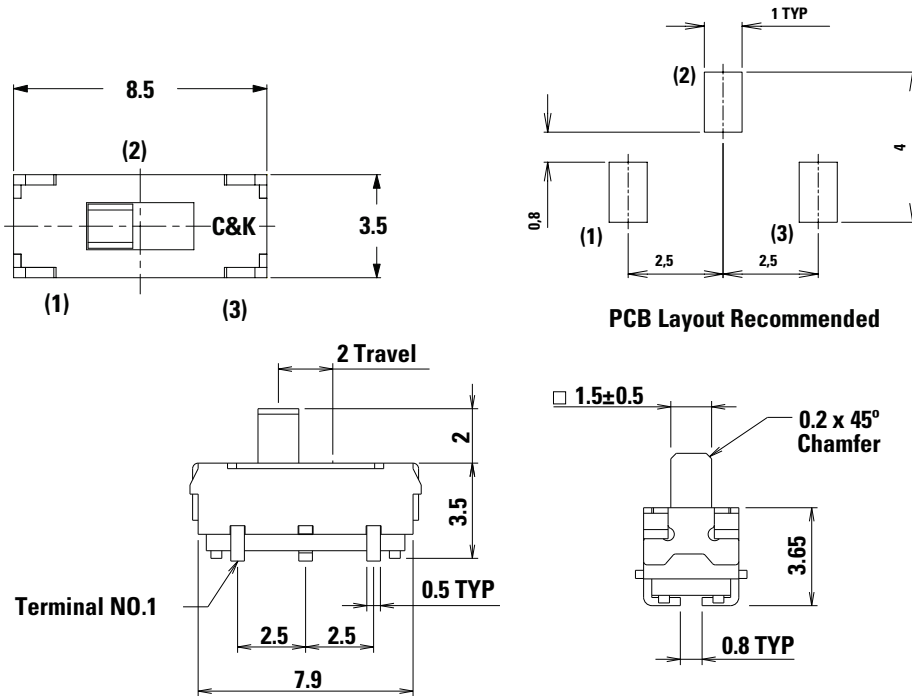
JS Series

Sub-Miniature Slide Switches



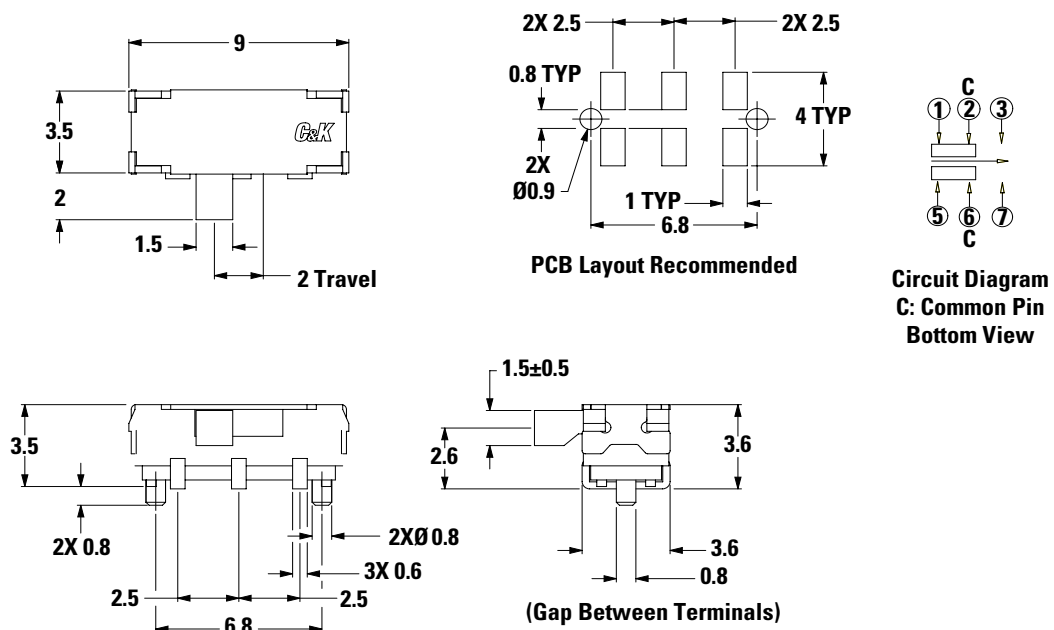
Vertical Mount SMT - J Bend

JS102011JCQN SPDT. Available in tape & reel only



Right Angle Surface Mount

JS202011JAQN DPDT Shown in Position A. Available in tape & reel only

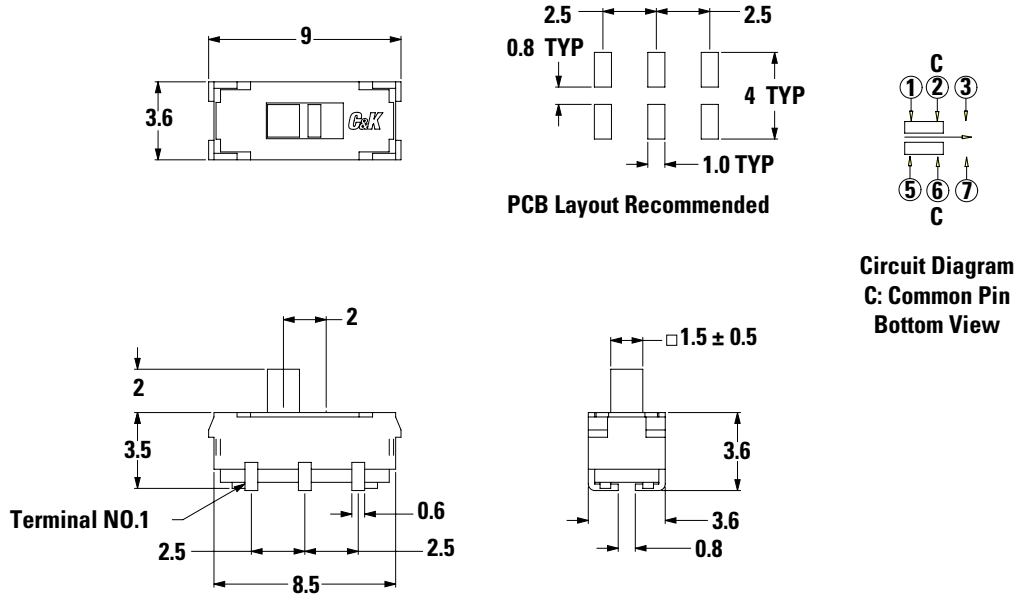


JS Series

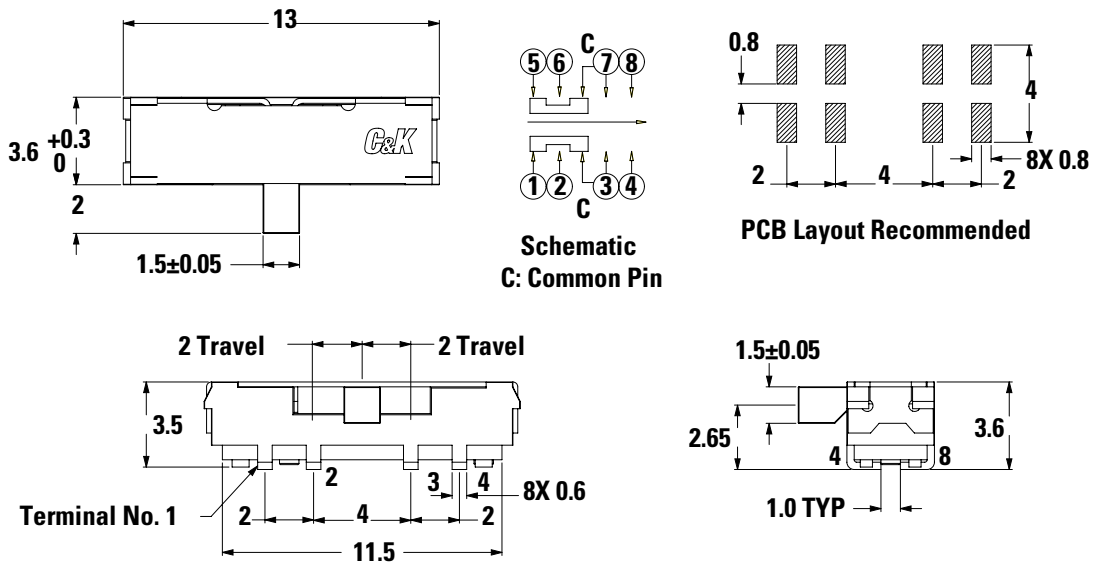
Sub-Miniature Slide Switches



Vertical Mount SMT - J Bend JS202011JCQN DPDT Shown in position B. Available in tape & reel only



Right Angle Mount SMT - J Bend JS203011JAQN DP3T Shown in position B. Available in tape & reel only



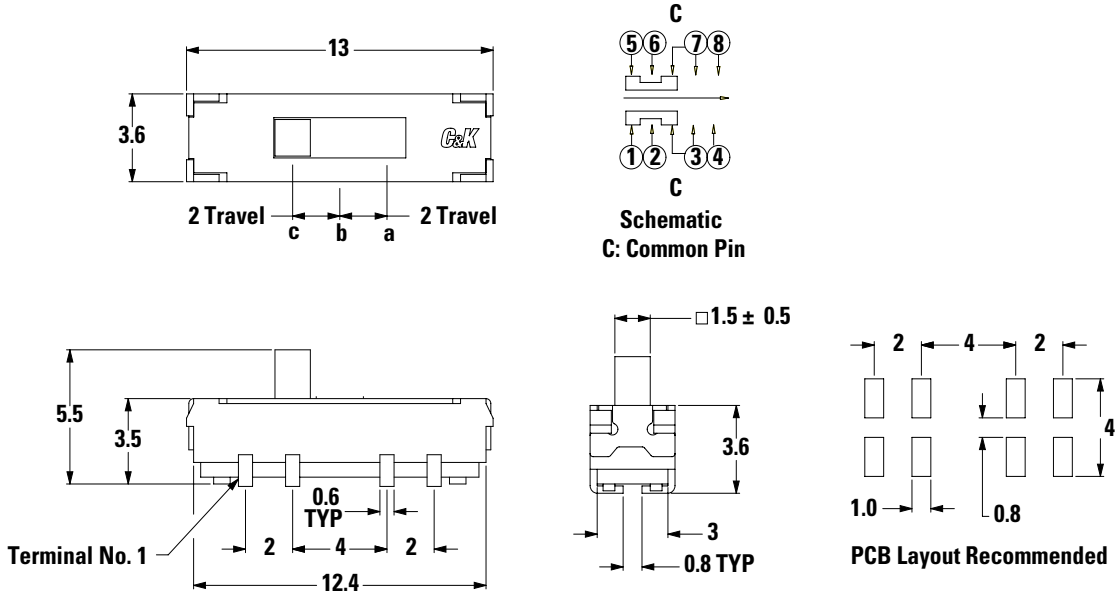
JS Series

Sub-Miniature Slide Switches



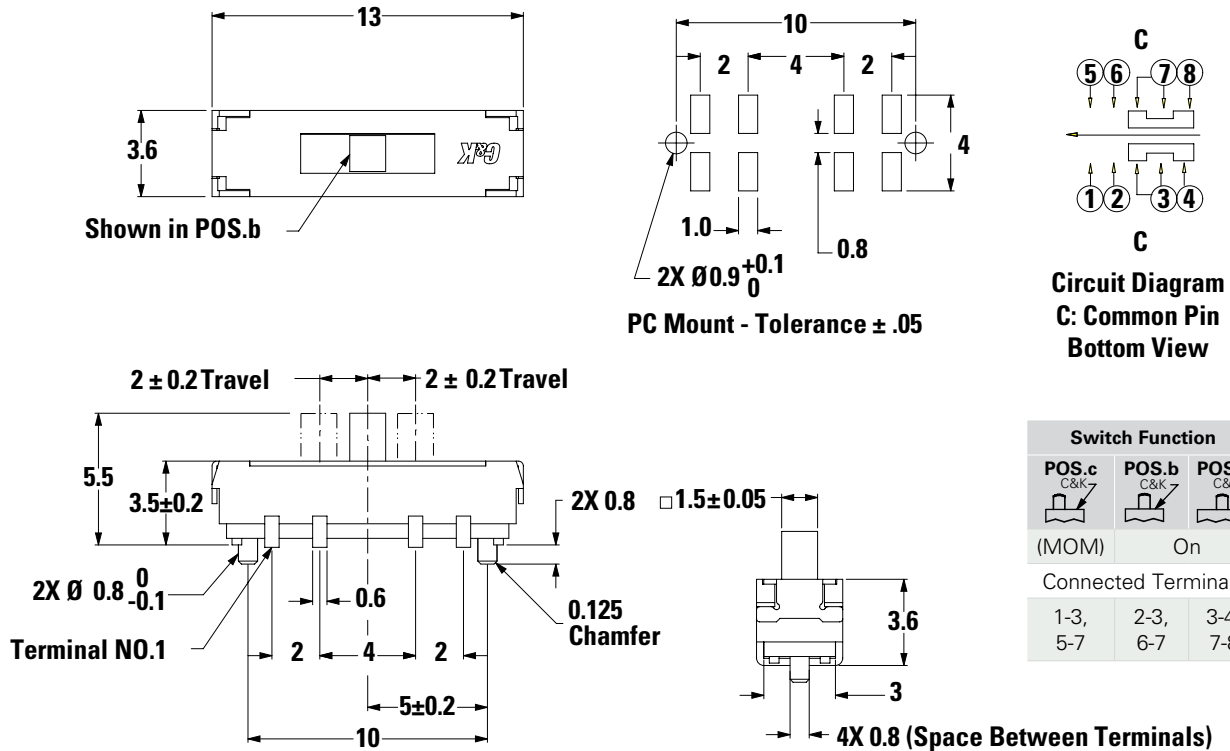
Vertical Mount SMT - J Bend

JS203011JCQN DP3T Shown in position B. Available in tape & reel only



Surface Mount - J Bend

JS207011JCQNR DP3T. Available in tape & reel only

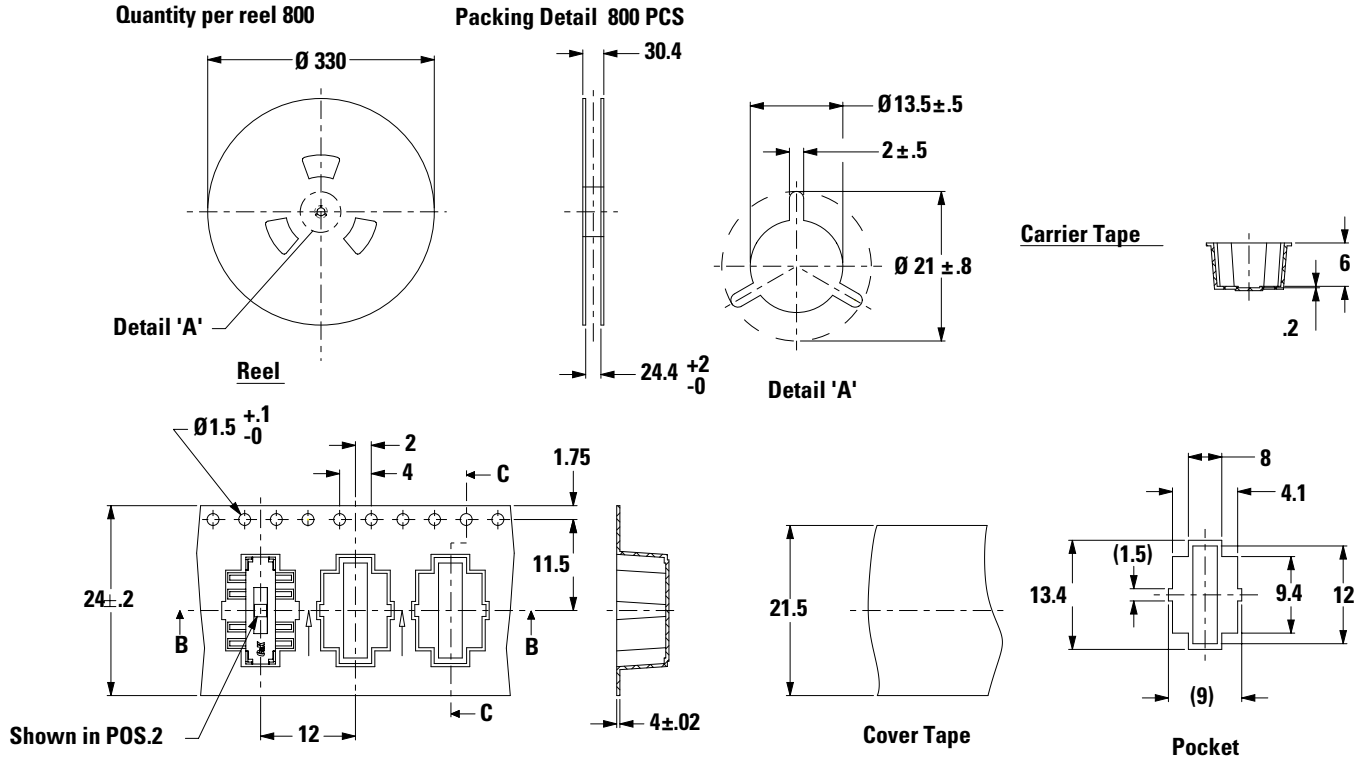


JS Series

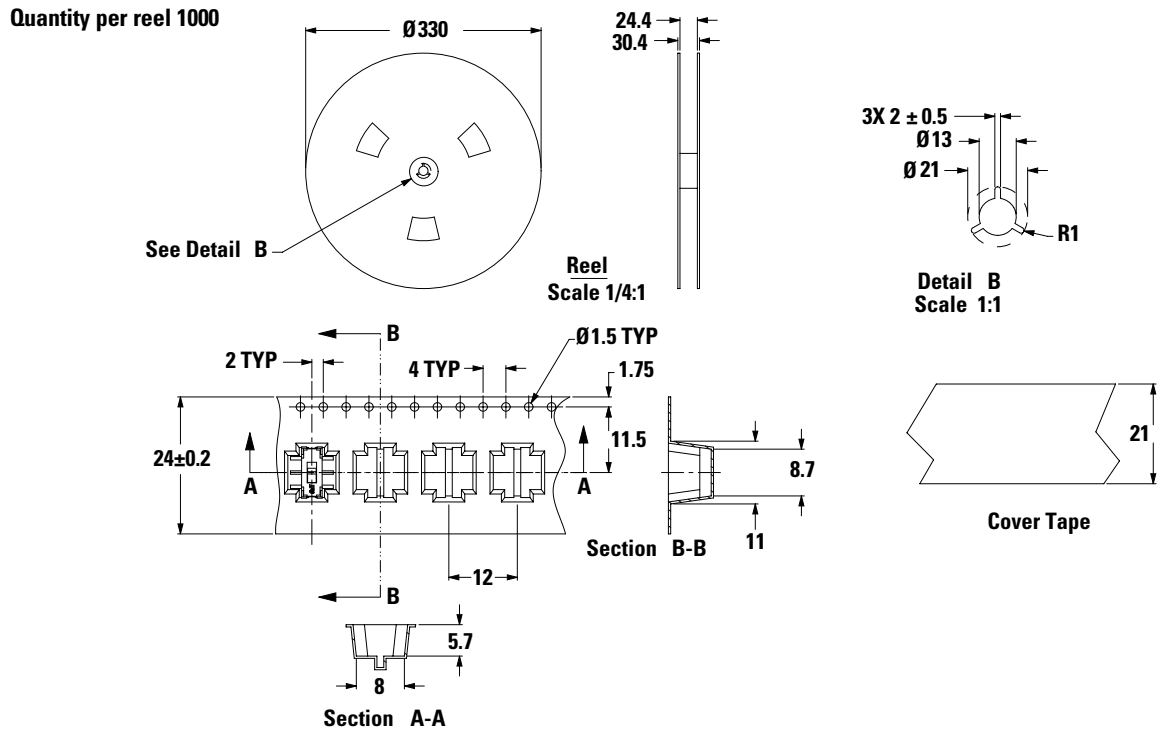
Sub-Miniature Slide Switches



Tape and Reel for Part Number JS207011SCQNR, JS207011JCQNR



Tape and Reel for Part Number JS202011SCQN

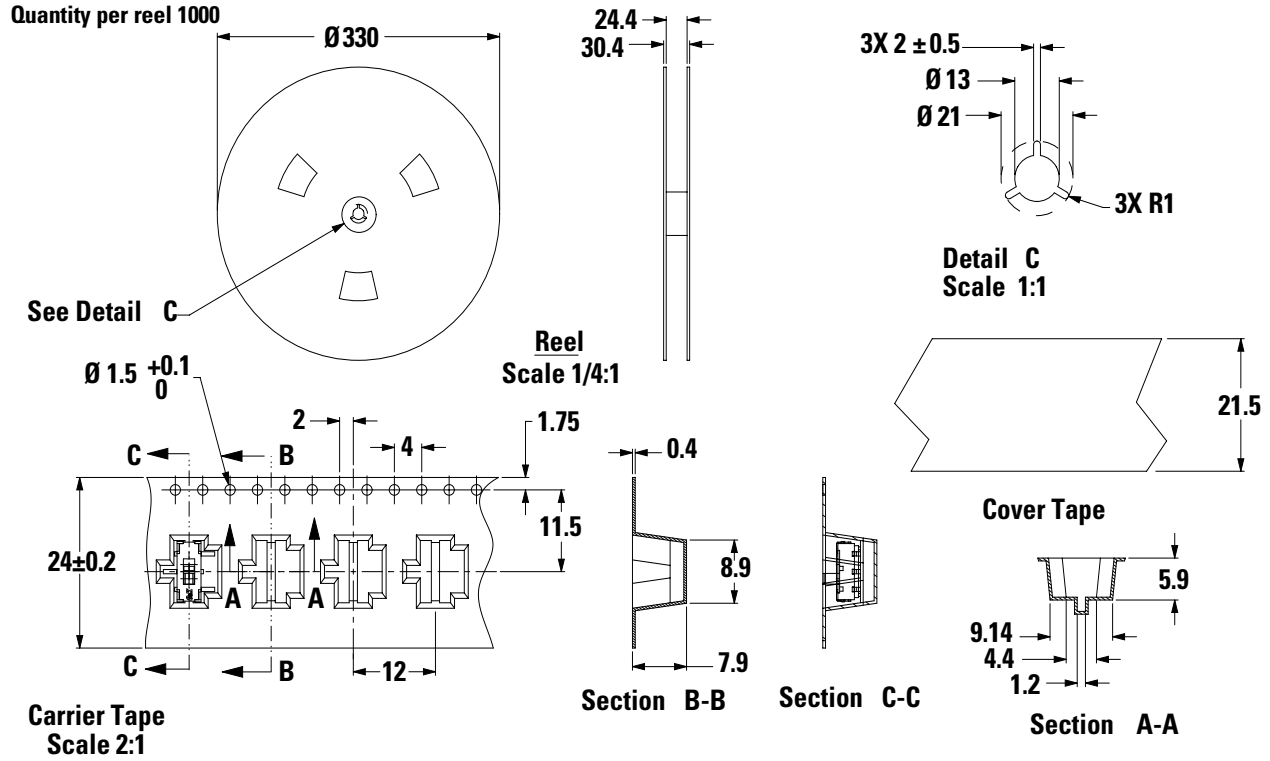


JS Series

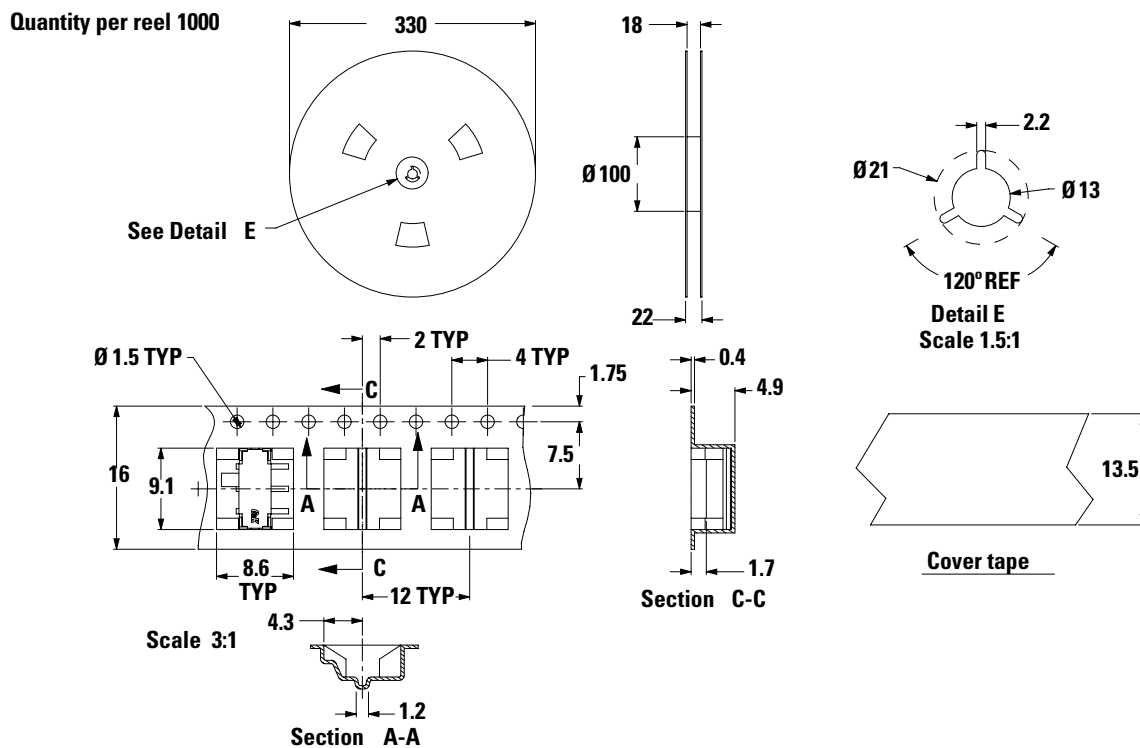
Sub-Miniature Slide Switches



Tape and Reel for Part Number JS102011SCQN, JS102011JCQN



Tape and Reel for Part Number JS102011SAQN, JS102011JAQN

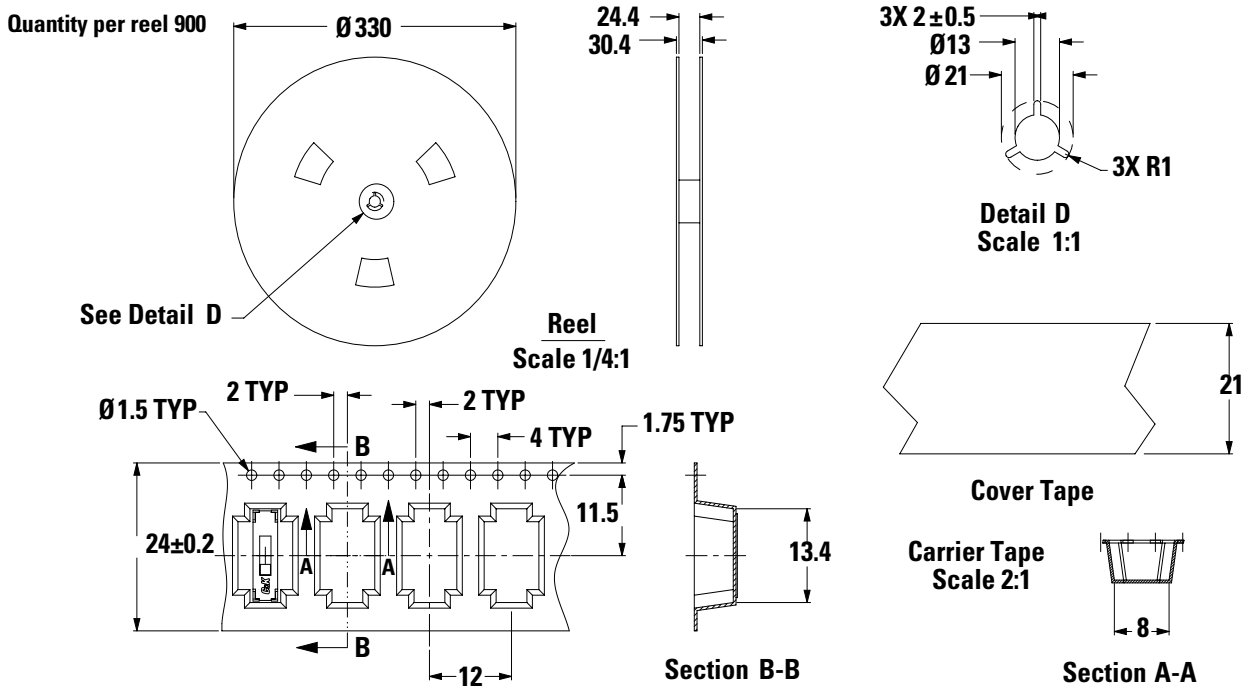


JS Series

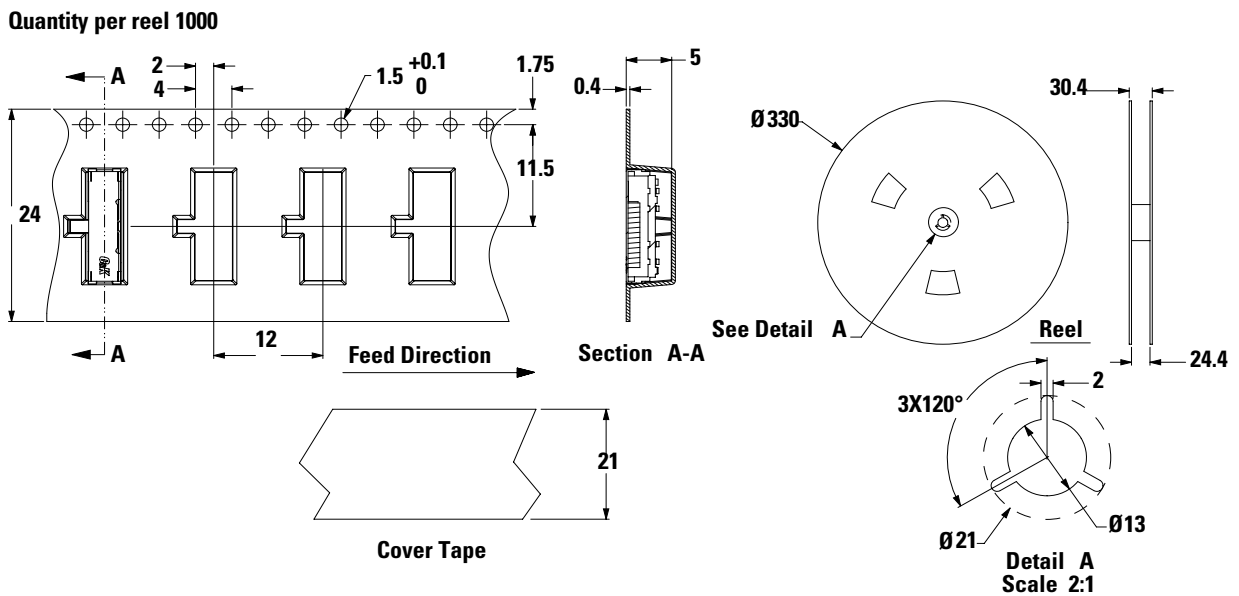
Sub-Miniature Slide Switches



Tape and Reel for Part Number JS203011SCQN, JS203011JCQN



Tape and Reel for Part Number JS203011JAQN



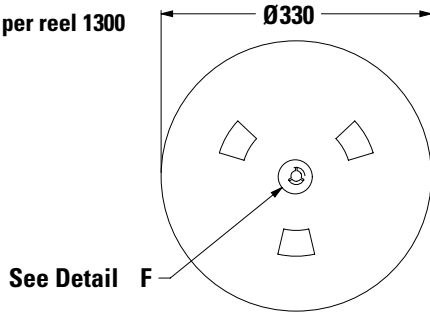
JS Series

Sub-Miniature Slide Switches

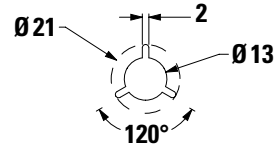
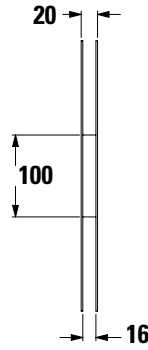


Tape and Reel for Part Number JS202011JCQN

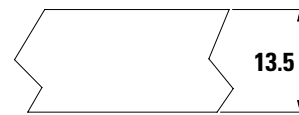
Quantity per reel 1300



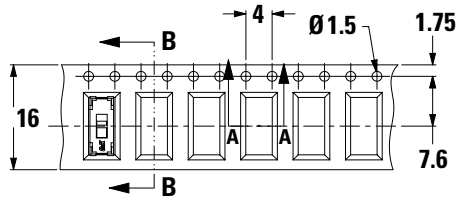
Reel
Scale 1/4:1



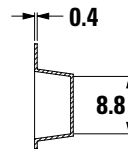
Detail F
Scale 1:1



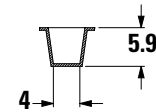
Cover Tape



Carrier Tape
Scale 2:1



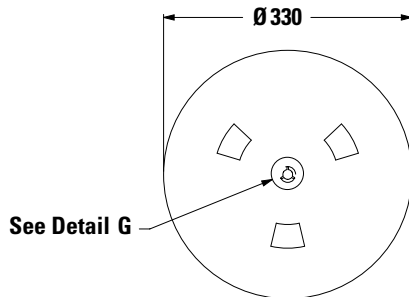
Section B-B



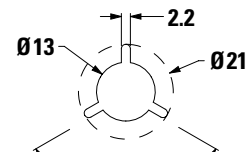
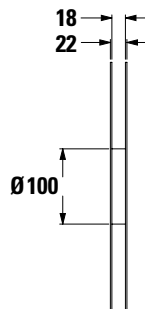
Section A-A

Tape and Reel for Part Number JS202011JAQN

Quantity per reel 1000



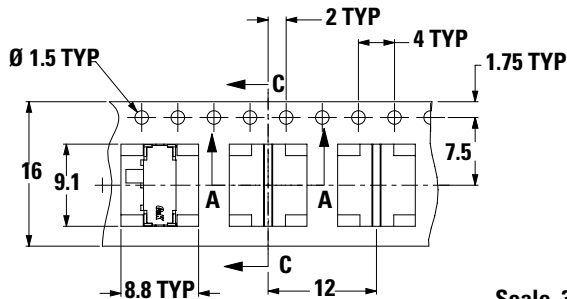
See Detail G



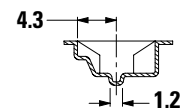
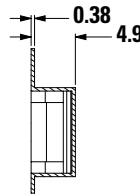
120° Reef
Detail G
Scale 1.5:1



Cover Tape



Scale 3:1 Section C-C



Section A-A

JS Series

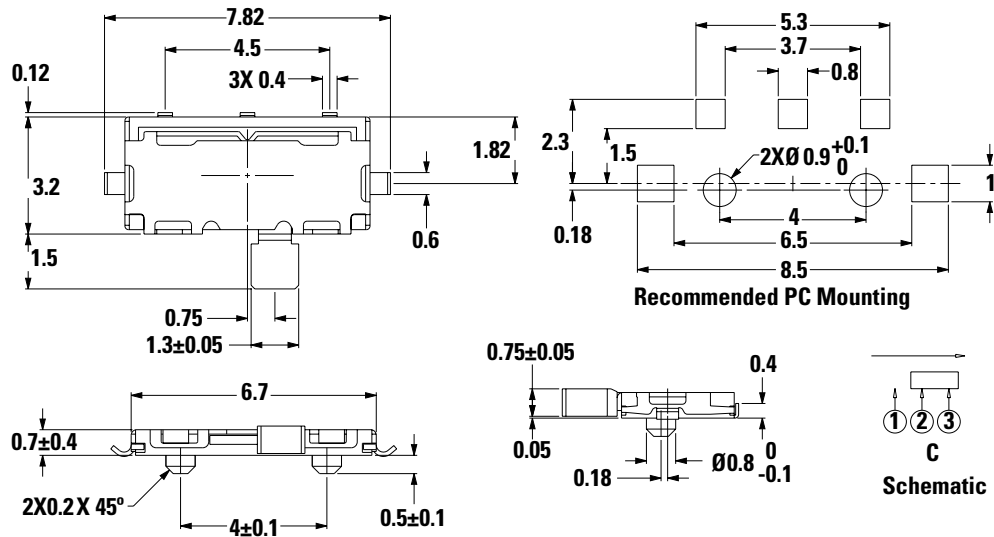
Sub-Miniature Slide Switches



Right Angle Surface Mount
Low Profile 0.028 ± 0.004 (0.7±0.1) High
JS102000SAQN SPDT

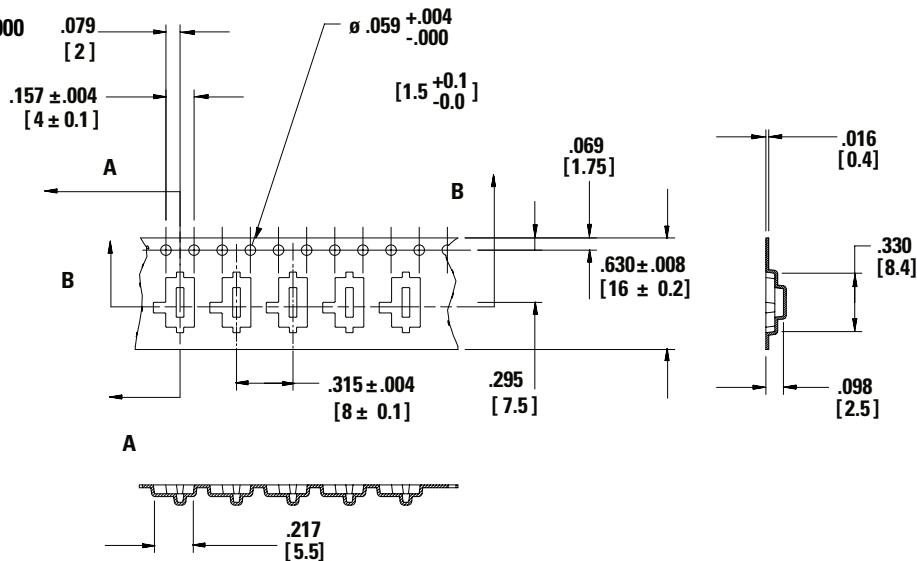
Specifications

Contact Rating	5 VDC @ 1 mA
Electrical Life	15,000 cycles
Contact Resistance	<100 m ohms (initial) <200 m ohms (after processing)
Insulation Resistance	100 m ohms @500 VDC
Dielectric Strength	250 VAC.
Operating Temperature	-40°C to 85°C



Tape and Reel for Part Number JS102000SAQN

Quantity per reel 4000



Disclaimer Notice - Information furnished is believed to be accurate and reliable. However, users should independently evaluate the suitability of and test each product selected for their own applications. Littelfuse products are not designed for, and may not be used in, all applications. Read complete Disclaimer Notice at <http://www.littelfuse.com/disclaimer-electronics>.