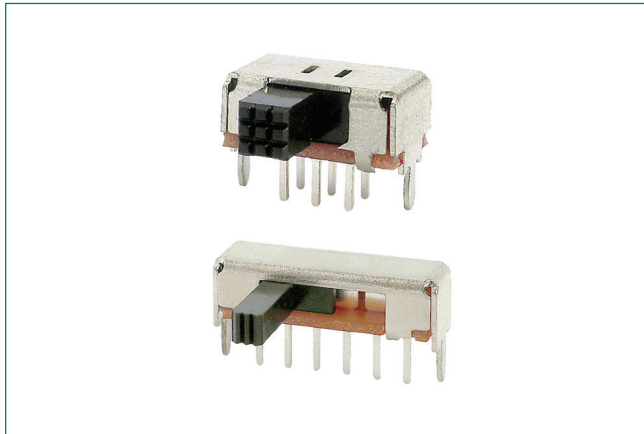


SK Series

Miniature Slide Switches - Side Knob



Description

Those designing innovative applications in the consumer electronics, computer peripherals, and telecommunications industry turn to SK series miniature slide switches when they need a long-lasting, high-performing switch solution. The SK series come in shorting or non-shorting options and can be custom designed.

Features & Benefits

- Broad range of products
- Different travel - 2mm, 3mm & 4mm
- Various circuit design - 1P2T/3T/4T & 2P2T/3T/4T
- Various knob length & style
- Shorting or non-shorting
- Custom design available
- RoHS compliant

Applications

- Consumer electronics
- Computer peripherals
- Telecommunication
- Audio & visual equipment
- Industrial

Ordering Number

Part number list is shown below. For individual part details, please refer to the following pages.

Part Number (Part Description)	Product Details
SK-12D04-G 3 NS	1P2T, 2mm travel, Frame H=4.7mm, Tail L=3.3mm, Knob type G with L=3mm, POM, Non shorting
SK-12D04-VG 3 NS	1P2T, 2mm travel, Frame H=4.7mm, Tail L=3.3mm, Knob type VG with L=3mm, POM, Non shorting
SK-12D07-G 5 NS PA	1P2T, 2mm travel, Frame H=4.7mm, Tail L=3.3mm, Knob type G with L=5mm, PA, Non shorting
SK-12D07-G 6 NS PA	1P2T, 2mm travel, Frame H=4.7mm, Tail L=3.3mm, Knob type G with L=6mm, PA, Non shorting
SK-12D07-VG 4 NS PA	1P2T, 2mm travel, Frame H=4.7mm, Tail L=3.3mm, Knob type VG with L=4mm, PA, Non shorting
SK-12D07-VG 4 NS PA LT	1P2T, 2mm travel, Frame H=5mm, Vertical bending, Knob type VG with L=4mm, PA, Non shorting
SK-12D26-G 6.5 NS	1P2T, 2mm travel, Frame H=10.5mm, Tail L=3.3mm, Knob type G with L=6.5mm, POM, Non shorting
SK-12D26-G 6.5 NS GY	1P2T, 2mm travel, Frame H=10.5mm, Tail L=3.3mm, Knob type G with L=6.5mm, POM, Grey, Non shorting
SK-13D16-VG 5 PA	1P3T, 2mm travel, Frame H=4.7mm, Tail L=3.3mm, Knob type VG with L=5mm, PA
SK-13D37-G 6 NS	1P3T, 2mm travel, Frame H=8.5mm, Tail L=2.3mm, Knob type G with L=6mm, POM, Non shorting
SK-14D01-G 6	1P4T, 2mm travel, Frame H=4.7mm, Tail L=3.3mm, Knob type G with L=6mm, POM
SK-22D01-MG 5 NS	2P2T, 2mm travel, Frame H=3mm, Tail L=2.8mm, Knob type MG with L=5mm, POM, Non shorting
SK-22D05-G 4 NS	2P2T, 2mm travel, Frame H=5mm, Tail L=2.8mm, Knob type G with L=4mm, POM, Non shorting
SK-22D05-G 6 NS	2P2T, 2mm travel, Frame H=5mm, Tail L=2.8mm, Knob type G with L=4mm, POM, Non shorting
SK-22D06-SG 5 NS	2P2T, 2mm travel, Frame H=6mm, Tail L=2.5mm, Knob type SG with L=5mm, POM, Non shorting
SK-22D06-SG 6 NS	2P2T, 2mm travel, Frame H=6mm, Tail L=2.5mm, Knob type SG with L=5mm, POM, Non shorting
SK-22D21-G 5 NS	2P2T, 2mm travel, Frame H=8.5mm, Tail L=3.5mm, Knob type G with L=5mm, POM, Non shorting
SK-22D28-G 6 NS	2P2T, 2mm travel, Frame H=8.5mm, Tail L=3.3mm, Knob type G with L=6mm, POM, Non shorting
SK-22D37-SG 6 NS PA	2P2T, 2mm travel, Frame H=5.5mm, Tail L=2.3mm, Knob type SG with L=6mm, PA, Non shorting
SK-23D04-G 9	2P3T, 2mm travel, Frame H=8.5mm, Tail L=3.9mm, Knob type G with L=9mm, POM
SK-23D04-G 12	2P3T, 2mm travel, Frame H=8.5mm, Tail L=3.9mm, Knob type G with L=12mm, POM
SK-23D05-G 5	2P3T, 2mm travel, Frame H=5mm, Tail L=2.8mm, Knob type G with L=5mm, POM
SK-23D24-G 4	2P3T, 2mm travel, Frame H=8.5mm, Tail L=3.7mm, Knob type G with L=4mm, POM
SK-23D24-G 7	2P3T, 2mm travel, Frame H=8.5mm, Tail L=3.7mm, Knob type G with L=7mm, POM

SK Series

Miniature Slide Switches - Side Knob

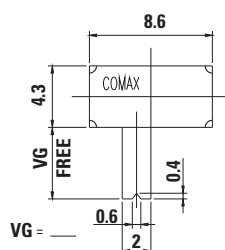


Part Number (Part Description)	Product Details
SK-23D28-G 6 NS	2P3T, 2mm travel, Frame H=8.5mm, Tail L=3.3mm, Knob type G with L=6mm, POM, Non shorting
SK-23D44-G 9 K	2P3T, 2mm travel, Frame H=8.5mm, Tail L=3.9mm, Knob type G with L=9mm, POM, Non shorting between POS 1 & 2, shorting between POS 2 & 3
SK-24D24-CV 7 GY	2P4T, 2mm travel, Frame H=9.85mm, Tail L=3.7mm, Knob type CV with L=7mm, POM, Grey
SK-24D28-G 4 NS	2P4T, 2mm travel, Frame H=8.5mm, Tail L=3.3mm, Knob type G with L=4mm, POM, Non shorting
SK-24D28-G 6 NS	2P4T, 2mm travel, Frame H=8.5mm, Tail L=3.3mm, Knob type G with L=6mm, POM, Non shorting
SK-42D05-G 6 NS	4P2T, 2mm travel, Frame H=5mm, Tail L=2.7mm, Knob type G with L=6mm, POM, Non shorting
SK-12F17-G 7	1P2T, 3mm travel, Frame H=8mm, Tail L=3.3mm, Knob type G with L=7mm, PBT, Non shorting
SK-23F28-G 6 NS	2P3T, 3mm travel, Frame H=8.5mm, Tail L=3mm, Knob type G with L=6mm, POM, Non shorting
SK-24F28-G 6 NS	2P4T, 3mm travel, Frame H=8.5mm, Tail L=3mm, Knob type G with L=6mm, POM, Non shorting
SK-42F28-G 6 NS	4P2T, 3mm travel, Frame H=8.5mm, Tail L=3mm, Knob type G with L=6mm, POM, Non shorting
SK-12H04-G 6 NS PA	1P2T, 4mm travel, Frame H=8.5mm, Tail L=3.9mm, Knob type G with L=6mm, PA, Non shorting
SK-22H04-G 7 NS	2P2T, 4mm travel, Frame H=8.5mm, Tail L=3.9mm, Knob type G with L=7mm, POM, Non shorting
SK-22H04-G 9 NS	2P2T, 4mm travel, Frame H=8.5mm, Tail L=3.9mm, Knob type G with L=9mm, POM, Non shorting
SK-22H04-G 12 NS	2P2T, 4mm travel, Frame H=8.5mm, Tail L=3.9mm, Knob type G with L=12mm, POM, Non shorting
SK-22H24-G 4 NS	2P2T, 4mm travel, Frame H=8.5mm, Tail L=3.7mm, Knob type G with L=4mm, POM, Non shorting
SK-22H24-G 5 NS	2P2T, 4mm travel, Frame H=8.5mm, Tail L=3.7mm, Knob type G with L=5mm, POM, Non shorting
SK-22H24-G 6 NS	2P2T, 4mm travel, Frame H=8.5mm, Tail L=3.7mm, Knob type G with L=6mm, POM, Non shorting

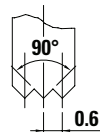
Dimensions

2mm Travel

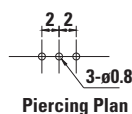
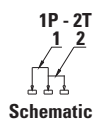
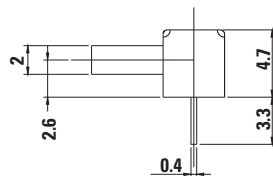
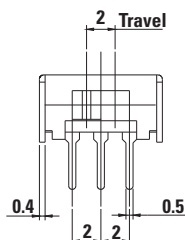
SK-12D04-G 3 NS 1P2T Non-Shorting 3mm Knob
SK-12D04-VG 3 NS 1P2T Non-Shorting 3mm Knob (VG)



G Knob Style



P Detail 2 : 1



Specifications

Contact Rating	0.3A @ 30 VDC
Initial Contact Resistance	30 m ohms max.
Insulation Resistance	100 M ohms min.
Dielectric Strength	500 V AC (50-60 Hz) between open terminals and between the frame and terminal.
Operating Life	10,000 cycles with load
Operating Force	250 ± 100 gf (2.45 ± 0.98N)
Travel	2 ± 0.3 mm
Operating Temperature	-20°C to 70°C

Materials

Knob	POM
Frame	SPCC
Contact	Silver clad
Terminal	Silver plated

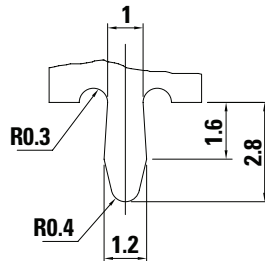
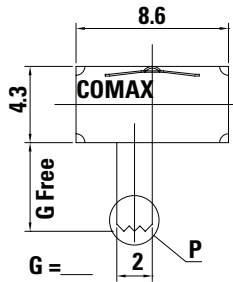
SK Series

Miniature Slide Switches - Side Knob

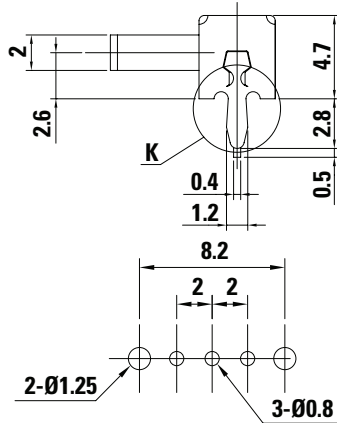
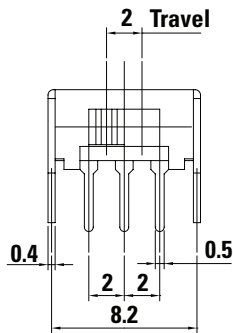


Dimensions

- SK-12D07-G 5 NS PA 1P2T Non-Shorting 5mm Knob
- SK-12D07-G 6 NS PA 1P2T Non-Shorting 6mm Knob
- SK-12D07-VG 4 NS PA 1P2T Non-Shorting 4mm Knob (VG)



K Detail 2:1



Piercing Plan

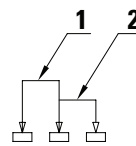
Specifications

Contact Rating	0.3A @ 30 VDC
Initial Contact Resistance	30 m ohms max.
Insulation Resistance	100 M ohms min.
Dielectric Strength	500 V AC (50-60 Hz) between open terminals and between the frame and terminal.
Operating Life	10,000 cycles with load
Operating Force	250 ± 100 gf (2.45 ± 0.98N)
Travel	2 ± 0.3 mm
Operating Temperature	-20°C to 70°C

Materials

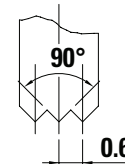
Knob	PA
Frame	SPCC
Contact	Silver clad
Terminal	Silver plated

1P - 2T



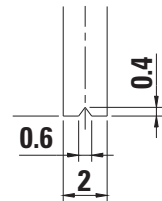
Schematic

G Knob Style



P Detail 2 : 1

VG Knob Style



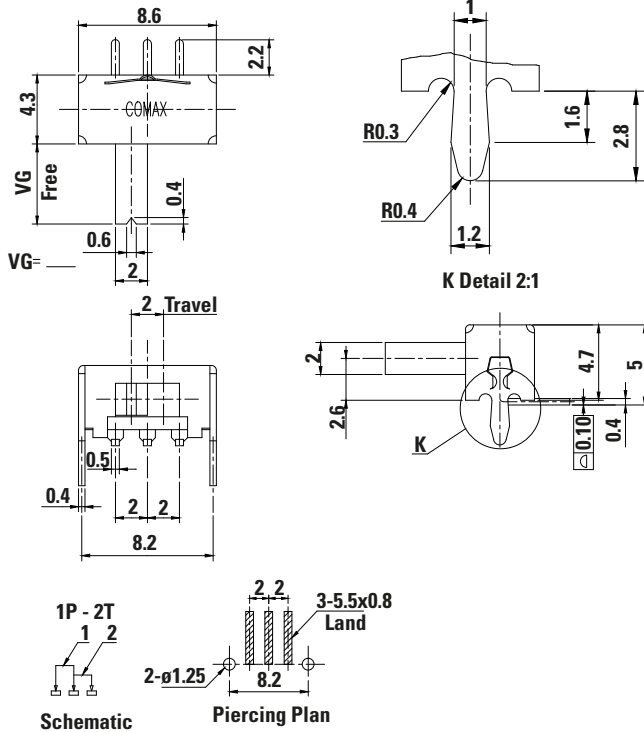
SK Series

Miniature Slide Switches - Side Knob



Dimensions 2mm Travel

SK-12D07-VG 4 NS PA LT IP2T Non-Shorting 4mm Knob (VG)



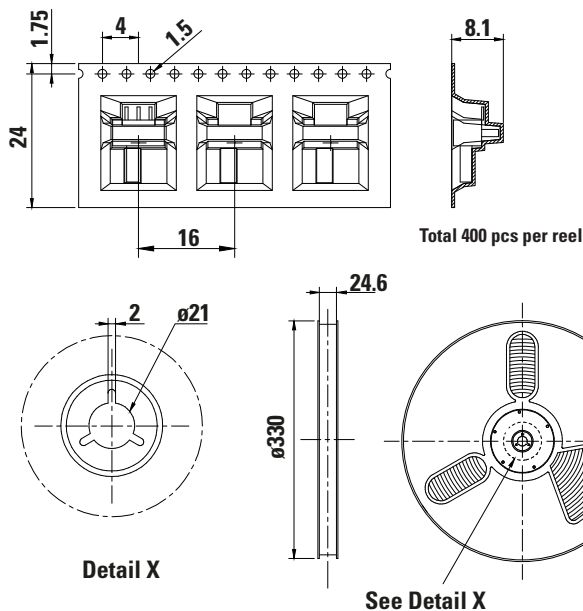
Specifications

Contact Rating	0.3A @ 30 VDC
Initial Contact Resistance	30 m ohms max.
Insulation Resistance	100 M ohms min.
Dielectric Strength	500 V AC (50-60 Hz) between open terminals and between the frame and terminal.
Operating Life	10,000 cycles with load
Operating Force	250 ± 100 gf (2.45 ± 0.98N)
Travel	2 ± 0.3 mm
Operating Temperature	-20°C to 70°C

Materials

Knob	PA
Frame	SPCC
Contact	Silver clad
Terminal	Silver plated
Packaging	Tape & Reel

Tape and Reel

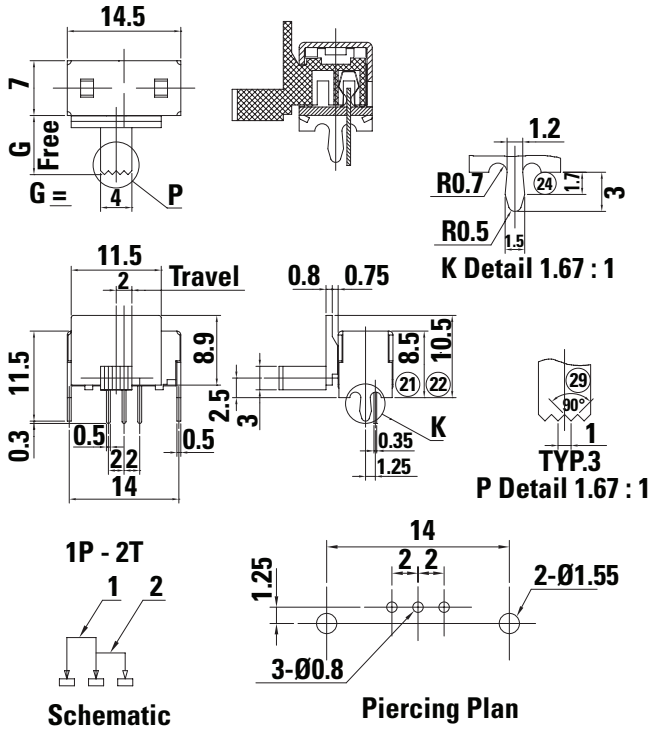


SK Series

Miniature Slide Switches - Side Knob



SK-12D26-G 6.5 NS 1P2T Non-Shorting 6.5mm Knob
 SK-12D26-G 6.5 NS GY 1P2T Non-Shorting 6.5mm Knob



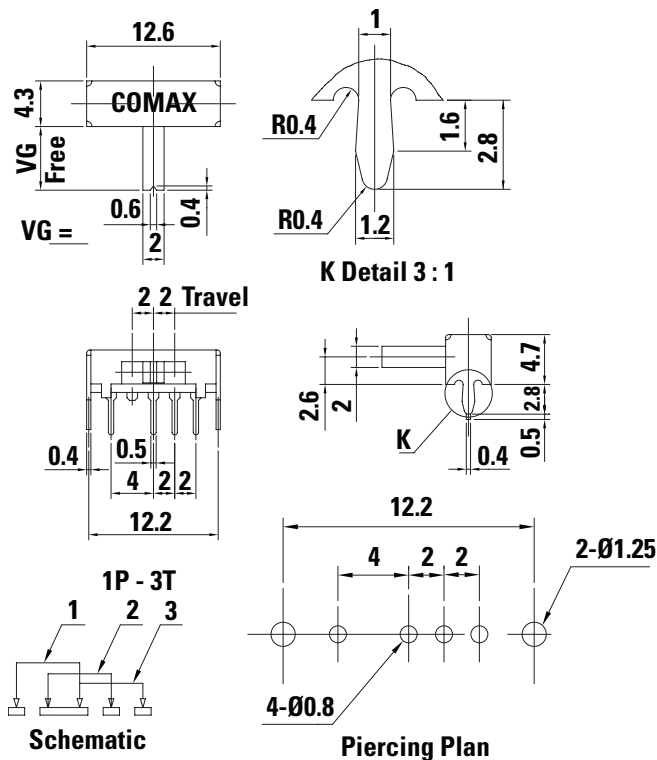
Specifications

Contact Rating	0.3A @ 30 VDC
Initial Contact Resistance	20 m ohms max.
Insulation Resistance	500 M ohms min.
Dielectric Strength	500 V AC (50-60 Hz) between open terminals and between the frame and terminal.
Operating Life	10,000 cycles with load
Operating Force	250 ± 100 gf (2.45 ± 0.98N)
Travel	2 ± 0.3 mm
Operating Temperature	-20°C to 70°C

Materials

Knob	POM for SK-12D26-G 6.5 NS POM (GY = Grey) for SK-12D26-G 6.5 NS GY
Frame	SPCC
Contact	Silver clad
Terminal	Silver plated

SK-13D16-VG 5 PA 1P3T 5mm Knob



Specifications

Contact Rating	0.3A @ 30 VDC
Initial Contact Resistance	30 m ohms max.
Insulation Resistance	100 M ohms min.
Dielectric Strength	500 V AC (50-60 Hz) between open terminals and between the frame and terminal.
Operating Life	10,000 cycles with load
Operating Force	250 ± 100 gf (1.96 ± 0.98N)
Travel	2 ± 0.3 mm
Operating Temperature	-20°C to 70°C

Materials

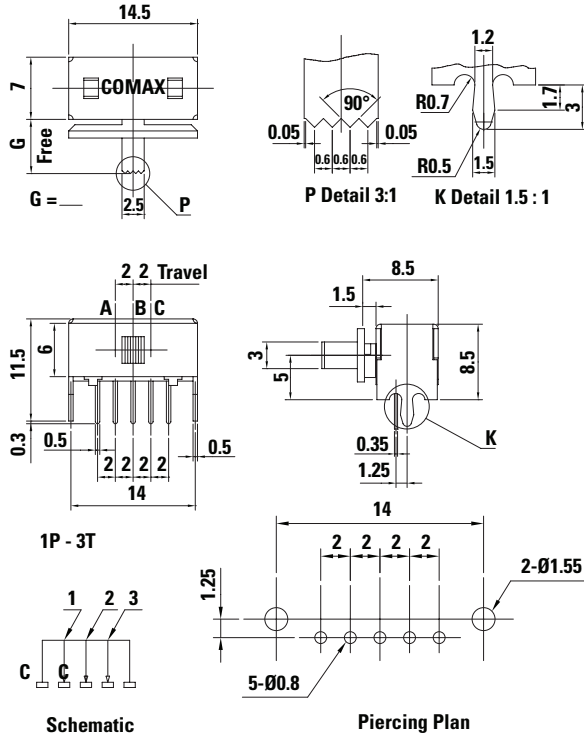
Knob	PA
Frame	SPCC
Contact	Silver clad
Terminal	Silver plated

SK Series

Miniature Slide Switches - Side Knob



SK-13D37-G 6 NS 1P3T Non-Shorting 6mm Knob



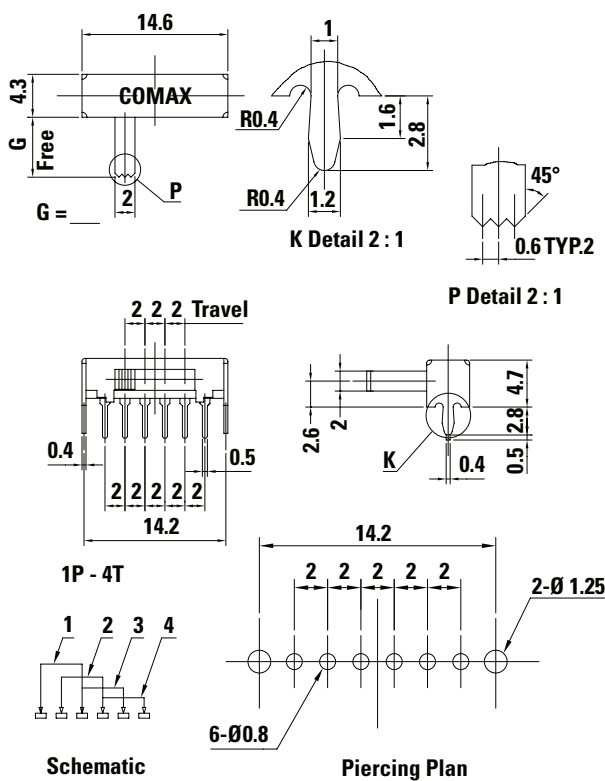
Specifications

Contact Rating	0.3A @ 30 VDC
Initial Contact Resistance	30 m ohms max.
Insulation Resistance	100 M ohms min.
Dielectric Strength	500 V AC (50-60 Hz) between open terminals and between the frame and terminal.
Operating Life	10,000 cycles with load
Operating Force	250 ± 100 gf (1.96 ± 0.98N)
Travel	2 ± 0.3 mm
Operating Temperature	-20°C to 70°C

Materials

Knob	POM
Frame	SPCC
Contact	Silver clad
Terminal	Silver plated

SK-14D01-G 6 1P4T 6mm Knob



Specifications

Contact Rating	0.3A @ 30 VDC
Initial Contact Resistance	30 m ohms max.
Insulation Resistance	100 M ohms min.
Dielectric Strength	500 V AC (50-60 Hz) between open terminals and between the frame and terminal.
Operating Life	10,000 cycles with load
Operating Force	250 ± 100 gf (1.96 ± 0.98N)
Travel	2 ± 0.3 mm
Operating Temperature	-20°C to 70°C

Materials

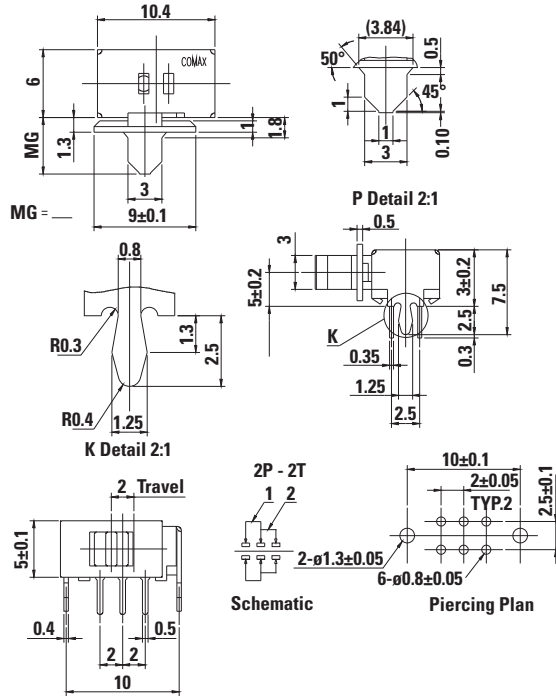
Knob	POM
Frame	SPCC
Contact	Silver clad
Terminal	Silver plated

SK Series

Miniature Slide Switches - Side Knob



SK-22D01-MG 5 NS DPDT Non-Shorting 5mm Knob



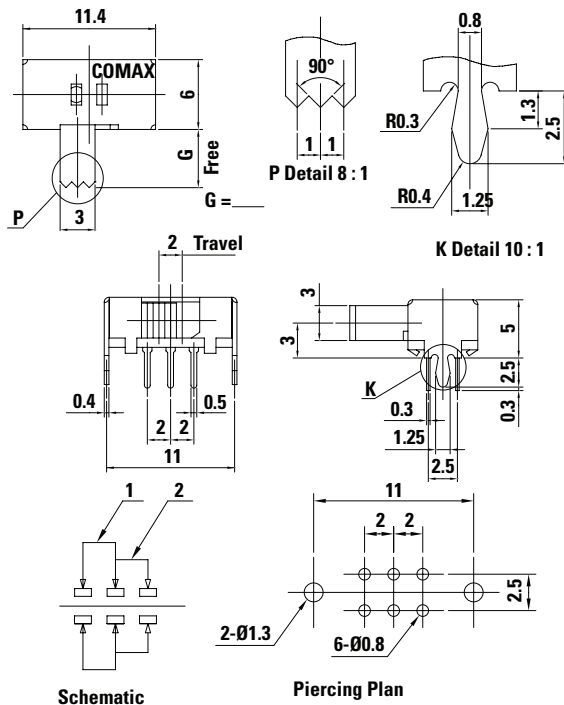
Specifications

Contact Rating	0.3A @ 30 VDC
Initial Contact Resistance	30 m ohms max.
Insulation Resistance	100 M ohms min.
Dielectric Strength	500 V AC (50-60 Hz) between open terminals and between the frame and terminal.
Operating Life	10,000 cycles with load
Operating Force	250 ± 100 gf (2.45 ± 0.98N)
Travel	2 ± 0.3 mm
Operating Temperature	-20°C to 70°C

Materials

Knob	POM
Frame	SPCC
Contact	Silver clad
Terminal	Silver plated

SK-22D05-G 4 NS DPDT Non-Shorting 4mm Knob SK-22D05-G 6 NS DPDT Non-Shorting 6mm Knob



Specifications

Contact Rating	0.3A @ 30 VDC
Initial Contact Resistance	30 m ohms max.
Insulation Resistance	100 M ohms min.
Dielectric Strength	500 V AC (50-60 Hz) between open terminals and between the frame and terminal.
Operating Life	10,000 cycles with load
Operating Force	250 ± 100 gf (2.45 ± 0.98N)
Travel	2 ± 0.3 mm
Operating Temperature	-20°C to 70°C

Materials

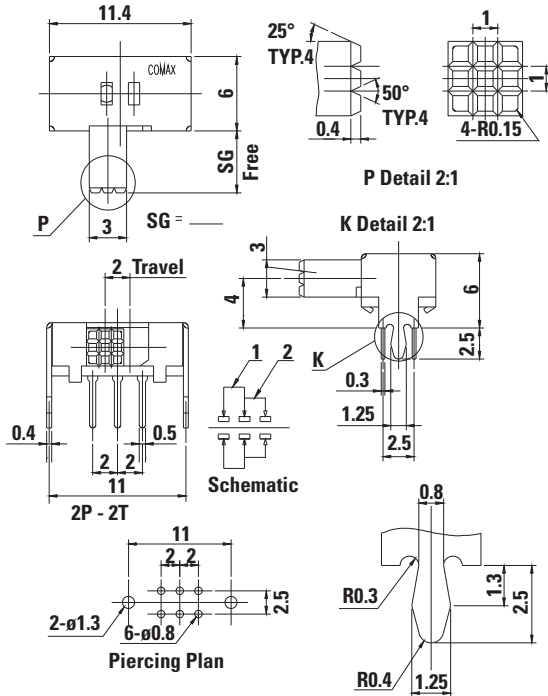
Knob	POM
Frame	SPCC
Contact	Silver clad
Terminal	Silver plated

SK Series

Miniature Slide Switches - Side Knob



SK-22D06-G 5 NS DPDT Non-Shorting 5mm
SK-22D06-G 6 NS DPDT Non-Shorting 6mm



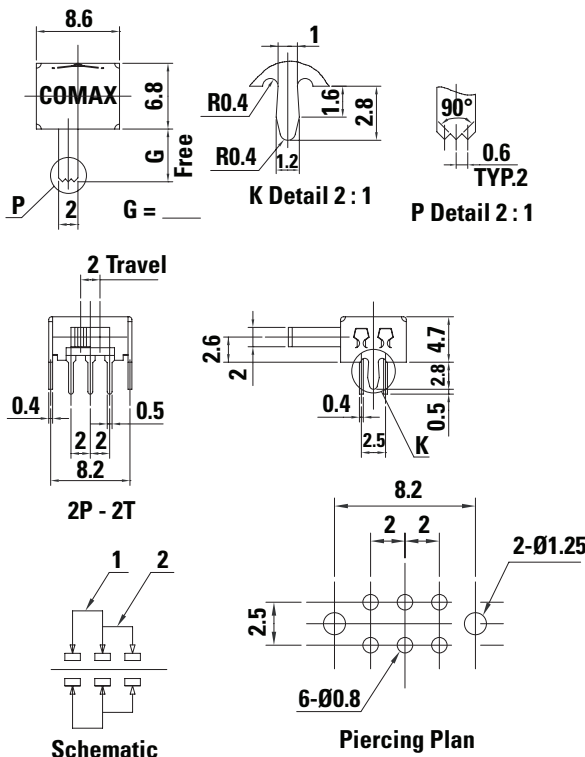
Specifications

Contact Rating	0.3A @ 30 VDC
Initial Contact Resistance	30 m ohms max.
Insulation Resistance	100 M ohms min.
Dielectric Strength	500 V AC (50-60 Hz) between open terminals and between the frame and terminal.
Operating Life	10,000 cycles with load
Operating Force	250 ± 100 gf (2.45 ± 0.98N)
Travel	2 ± 0.3 mm
Operating Temperature	-20°C to 70°C

Materials

Knob	POM
Frame	SPCC
Contact	Silver clad
Terminal	Silver plated

SK-22D07-G 4 NS PA DPDT Non-Shorting 4mm Knob
SK-22D07-VG 4 NS PA DPDT Non-Shorting 4mm Knob (VG)



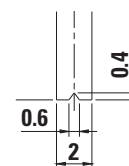
Specifications

Contact Rating	0.3A @ 30 VDC
Initial Contact Resistance	30 m ohms max.
Insulation Resistance	100 M ohms min.
Dielectric Strength	500 V AC (50-60 Hz) between open terminals and between the frame and terminal.
Operating Life	10,000 cycles with load
Operating Force	250 ± 100 gf (2.45 ± 0.98N)
Travel	2 ± 0.3 mm
Operating Temperature	-20°C to 70°C

Materials

Knob	PA (UL94V-0)
Frame	SPCC
Contact	Silver clad
Terminal	Silver plated

VG Knob Style

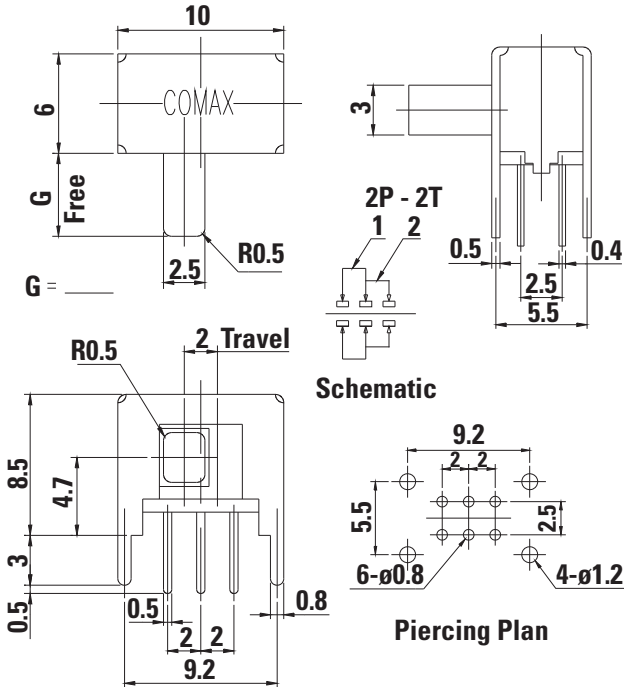


SK Series

Miniature Slide Switches - Side Knob



SK-22D21-G 5 NS DPDT Non-Shorting 5mm Knob



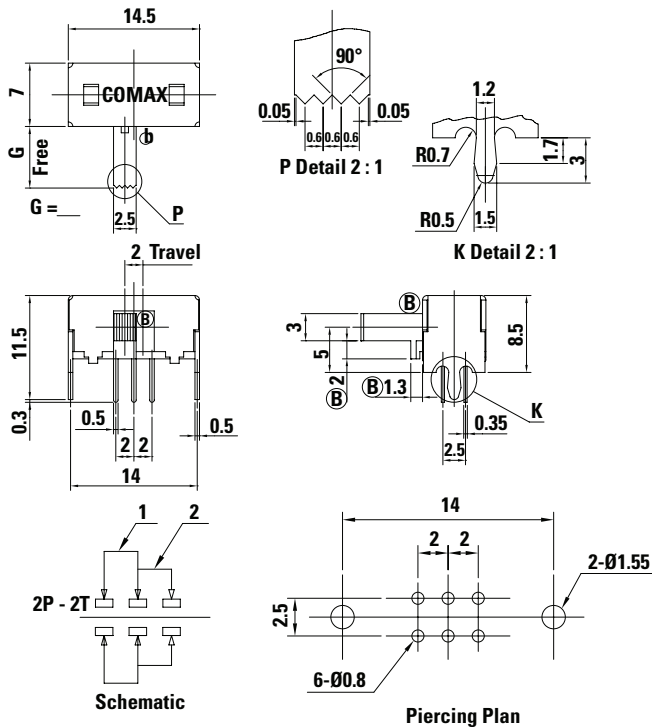
Specifications

Contact Rating	0.3A @ 30 VDC
Initial Contact Resistance	30 m ohms max.
Insulation Resistance	100 M ohms min.
Dielectric Strength	500 V AC (50-60 Hz) between open terminals and between the frame and terminal.
Operating Life	10,000 cycles with load
Operating Force	300 ± 100 gf (2.94 ± 1.47N)
Travel	2 ± 0.3 mm
Operating Temperature	-20°C to 70°C

Materials

Knob	POM
Frame	SPCC
Contact	Silver clad
Terminal	Silver plated

SK-22D28-G 6 NS DPDT Non-Shorting 6mm Knob



Specifications

Contact Rating	0.3A @ 30 VDC
Initial Contact Resistance	30 m ohms max.
Insulation Resistance	100 M ohms min.
Dielectric Strength	500 V AC (50-60 Hz) between open terminals and between the frame and terminal.
Operating Life	10,000 cycles with load
Operating Force	200 ± 100 gf (1.96 ± 0.98N)
Travel	2 ± 0.3 mm
Operating Temperature	-20°C to 70°C

Materials

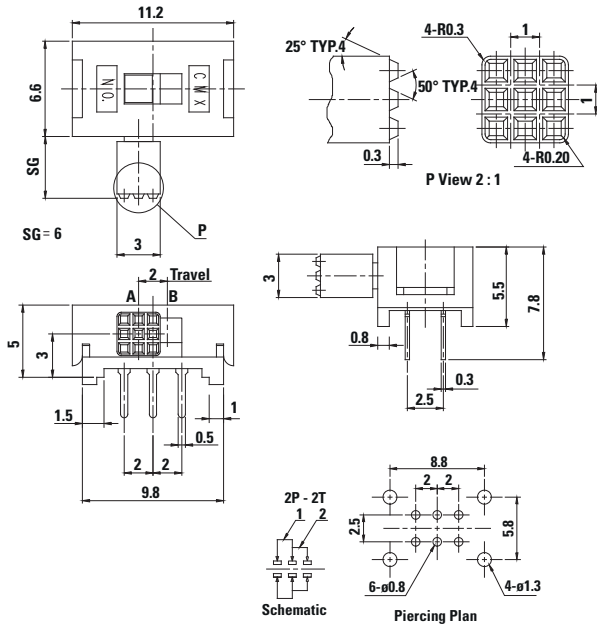
Knob	POM
Frame	SPCC
Contact	Silver clad
Terminal	Silver plated

SK Series

Miniature Slide Switches - Side Knob



SK-22D37-SG 6 NS PA DPDT Non-Shorting 6mm Knob



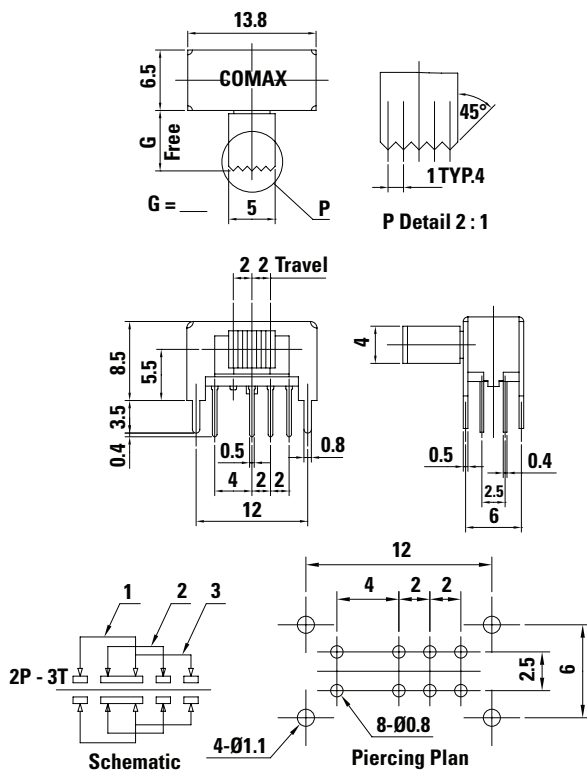
Specifications

Contact Rating	0.3A @ 30 VDC
Initial Contact Resistance	30 m ohms max.
Insulation Resistance	100 M ohms min.
Dielectric Strength	500 V AC (50-60 Hz) between open terminals and between the frame and terminal.
Operating Life	10,000 cycles with load
Operating Force	200 ± 100 gf (1.96 ± 0.98N)
Travel	2 ± 0.3 mm
Operating Temperature	-20°C to 70°C

Materials

Knob	PA
Frame	SPCC
Contact	Silver clad
Terminal	Silver plated

SK-23D04-G 9 2P3T 9mm Knob SK-23D04-G 12 2P3T 12mm Knob



Specifications

Contact Rating	0.3A @ 30 VDC
Initial Contact Resistance	30 m ohms max.
Insulation Resistance	100 M ohms min.
Dielectric Strength	500 V AC (50-60 Hz) between open terminals and between the frame and terminal.
Operating Life	10,000 cycles with load
Operating Force	200 ± 100 gf (1.96 ± 0.98N) 300 ± 150 gf (2.94 ± 1.47N)
Travel	2 ± 0.3 mm
Operating Temperature	-20°C to 70°C

Materials

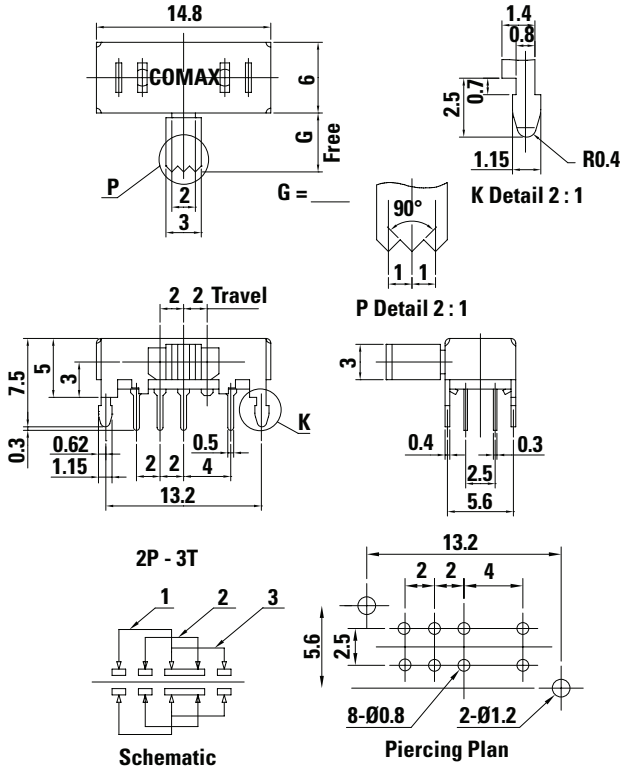
Knob	POM
Frame	SPCC
Contact	Silver clad
Terminal	Silver plated

SK Series

Miniature Slide Switches - Side Knob



SK-23D05-G 5 2P3T 5mm Knob



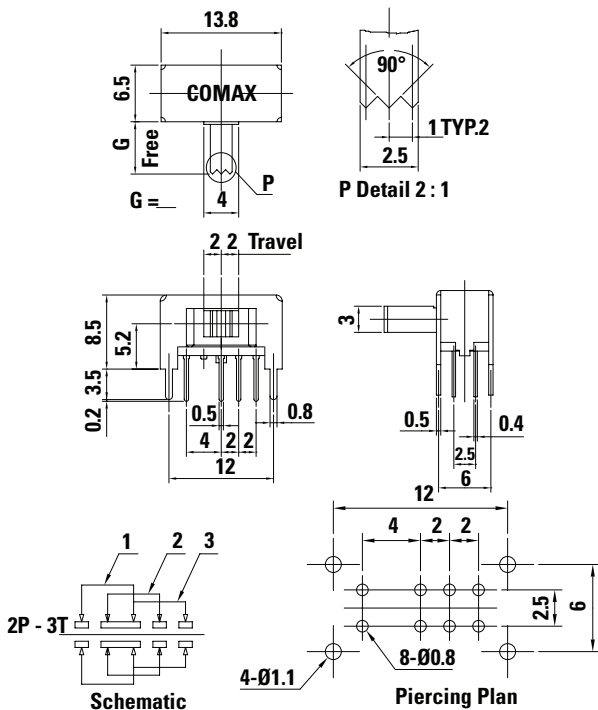
Specifications

Contact Rating	0.3A @ 30 VDC
Initial Contact Resistance	30 m ohms max.
Insulation Resistance	100 M ohms min.
Dielectric Strength	500 V AC (50-60 Hz) between open terminals and between the frame and terminal.
Operating Life	10,000 cycles with load
Operating Force	200 ± 100 gf (1.96 ± 0.98N) 250 ± 150 gf (2.45 ± 1.47N)
Travel	2 ± 0.3 mm
Operating Temperature	-20°C to 70°C

Materials

Knob	POM
Frame	SPCC
Contact	Silver clad
Terminal	Silver plated

SK-23D24-G 4 2P3T 4mm Knob
SK-23D24-G 7 2P3T 7mm Knob



Specifications

Contact Rating	0.3A @ 30 VDC
Initial Contact Resistance	30 m ohms max.
Insulation Resistance	100 M ohms min.
Dielectric Strength	500 V AC (50-60 Hz) between open terminals and between the frame and terminal.
Operating Life	10,000 cycles with load
Operating Force	200 ± 100 gf (1.96 ± 0.98N) 300 ± 150 gf (2.94 ± 1.47N)
Travel	2 ± 0.3 mm
Operating Temperature	-20°C to 70°C

Materials

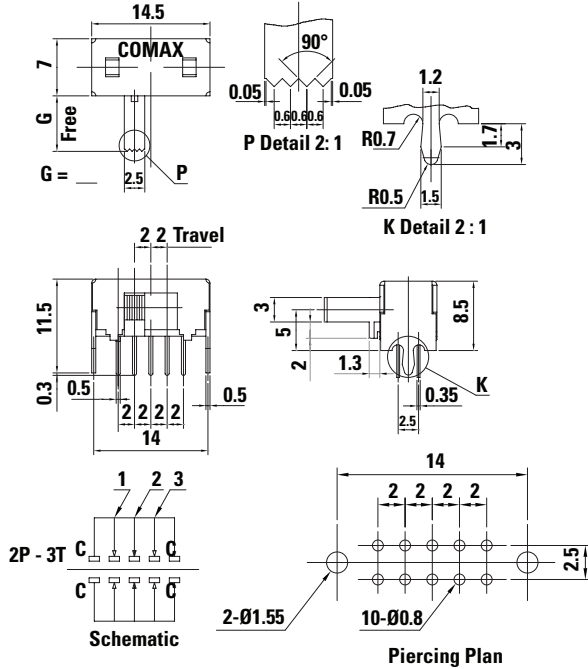
Knob	POM
Frame	SPCC
Contact	Silver clad
Terminal	Silver plated

SK Series

Miniature Slide Switches - Side Knob



SK-23D28-G 6 NS 2P3T Non-Shorting 6mm Knob



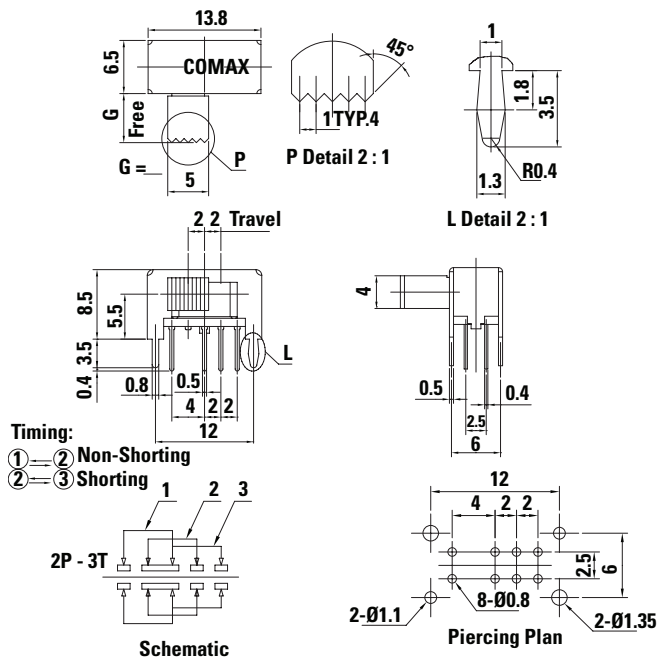
Specifications

Contact Rating	0.3A @ 30 VDC
Initial Contact Resistance	30 m ohms max.
Insulation Resistance	100 M ohms min.
Dielectric Strength	500 V AC (50-60 Hz) between open terminals and between the frame and terminal.
Operating Life	10,000 cycles with load
Operating Force	200 ± 100 gf (1.96 ± 0.98N) 300 ± 150 gf (2.94 ± 1.47N)
Travel	2 ± 0.3 mm
Operating Temperature	-20°C to 70°C

Materials

Knob	POM
Frame	SPCC
Contact	Silver clad
Terminal	Silver plated

SK-23D44-G 9 K 2P3T 9mm Knob



Specifications

Contact Rating	0.3A @ 30 VDC
Initial Contact Resistance	30 m ohms max.
Insulation Resistance	100 M ohms min.
Dielectric Strength	500 V AC (50-60 Hz) between open terminals and between the frame and terminal.
Operating Life	10,000 cycles with load
Operating Force	200 ± 150 gf (1.96 ± 1.47N) 300 ± 150 gf (2.94 ± 1.47N)
Travel	2 ± 0.3 mm
Operating Temperature	-20°C to 70°C

Materials

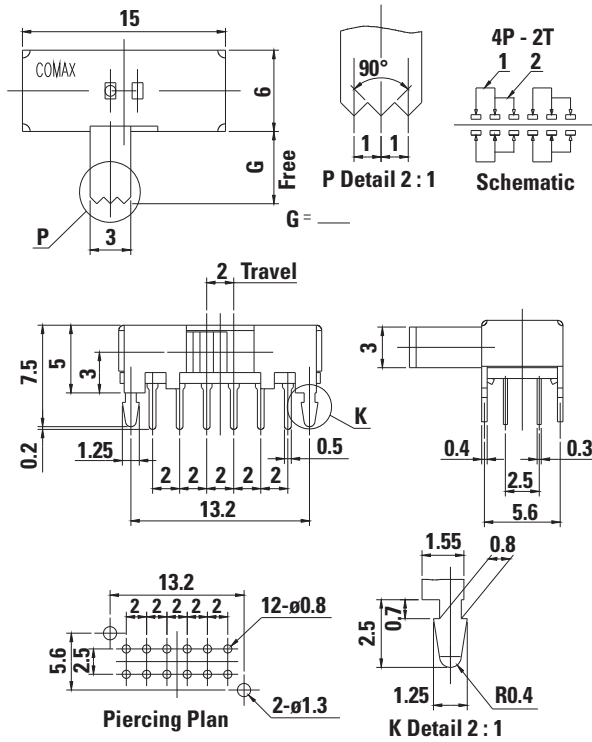
Knob	POM
Frame	SPCC
Contact	Silver clad
Terminal	Silver plated

SK Series

Miniature Slide Switches - Side Knob



SK-42D05-G 6 NS 4P2T Non-Shorting 6mm Knob



Specifications

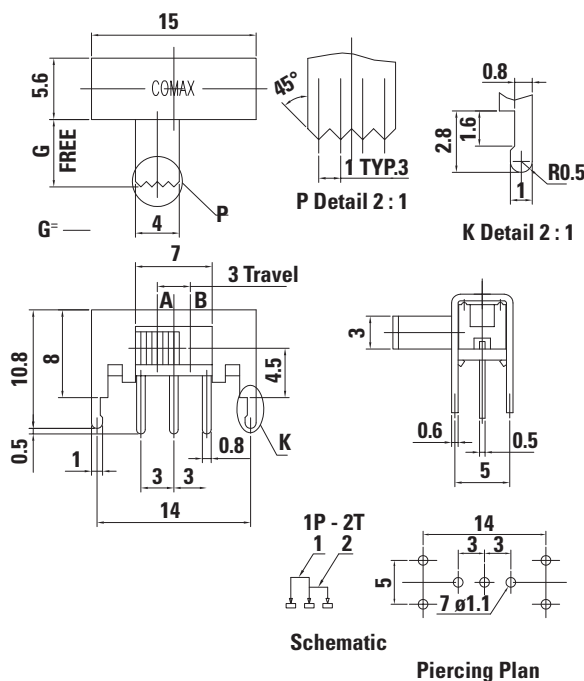
Contact Rating	0.3A @ 30 VDC
Initial Contact Resistance	30 m ohms max.
Insulation Resistance	100 M ohms min.
Dielectric Strength	500 V AC (50-60 Hz) between open terminals and between the frame and terminal.
Operating Life	10,000 cycles with load
Operating Force	250 ± 100 gf (2.45 ± 0.98N)
Travel	2 ± 0.3 mm
Operating Temperature	-20°C to 70°C

Materials

Knob	POM
Frame	SPCC
Contact	Silver clad
Terminal	Silver plated

3mm Travel

SK-12F17-G 7 1P2T Non-Shorting 7mm Knob



Specifications

Contact Rating	0.3A @ 30 VDC
Initial Contact Resistance	30 m ohms max.
Insulation Resistance	100 M ohms min.
Dielectric Strength	500 V AC (50-60 Hz) between open terminals and between the frame and terminal.
Operating Life	10,000 cycles with load
Operating Force	250 ± 100 gf (2.45 ± 0.98N)
Travel	3 ± 0.3 mm
Operating Temperature	-20°C to 70°C

Materials

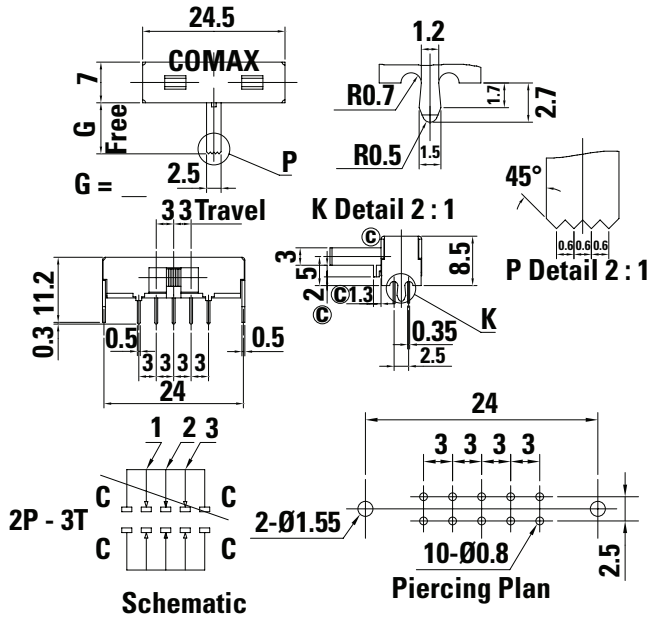
Knob	PBT
Frame	SPCC
Contact	Silver clad
Terminal	Silver plated

SK Series

Miniature Slide Switches - Side Knob



SK-23F28-G 6 NS 2P3T Non-Shorting 6mm Knob



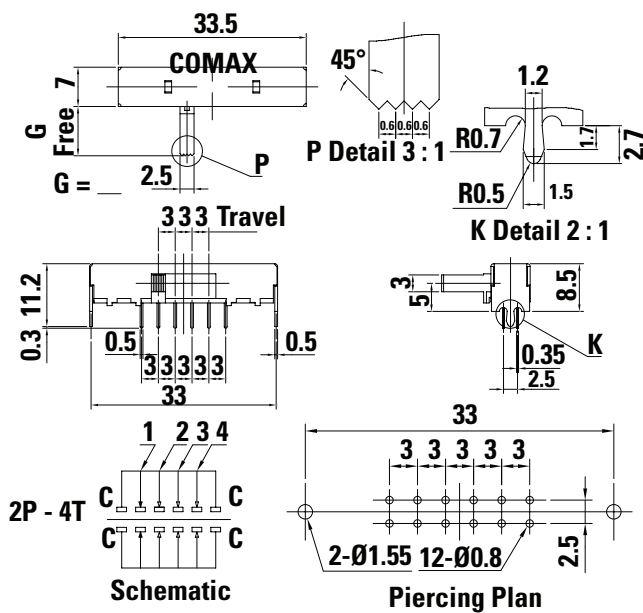
Specifications

Contact Rating	0.3A @ 30 VDC
Initial Contact Resistance	30 m ohms max.
Insulation Resistance	100 M ohms min.
Dielectric Strength	500 V AC (50-60 Hz) between open terminals and between the frame and terminal.
Operating Life	10,000 cycles with load
Operating Force	150 ± 80 gf (1.47 ± 0.78N) 200 ± 100 gf (1.96 ± 0.98N)
Travel	3 ± 0.3 mm
Operating Temperature	-20°C to 70°C

Materials

Knob	POM
Frame	SPCC
Contact	Silver clad
Terminal	Silver plated

SK-24F28-G 6 NS 2P4T Non-Shorting 6mm Knob



Specifications

Contact Rating	0.3A @ 30 VDC
Initial Contact Resistance	30 m ohms max.
Insulation Resistance	100 M ohms min.
Dielectric Strength	500 V AC (50-60 Hz) between open terminals and between the frame and terminal.
Operating Life	10,000 cycles with load
Operating Force	200 ± 100 gf (1.96 ± 0.98N) 250 ± 100 gf (2.45 ± 0.98N)
Travel	3 ± 0.3 mm
Operating Temperature	-20°C to 70°C

Materials

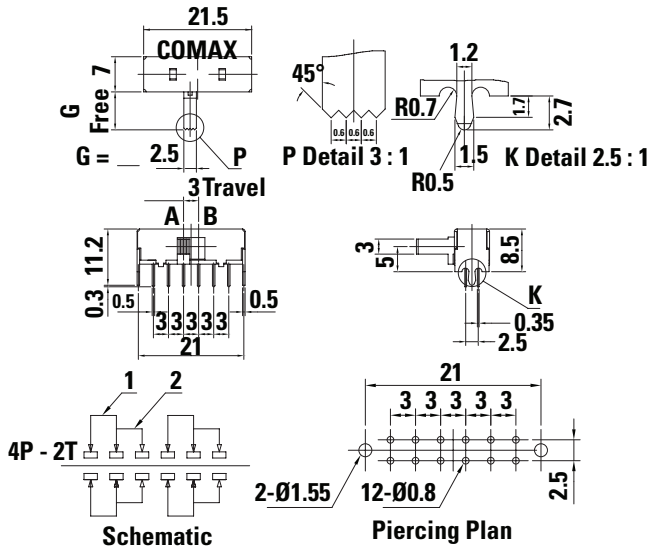
Knob	POM
Frame	SPCC
Contact	Silver clad
Terminal	Silver plated

SK Series

Miniature Slide Switches - Side Knob



SK-42F28-G 6 NS 2P4T Non-Shorting 6mm Knob



Specifications

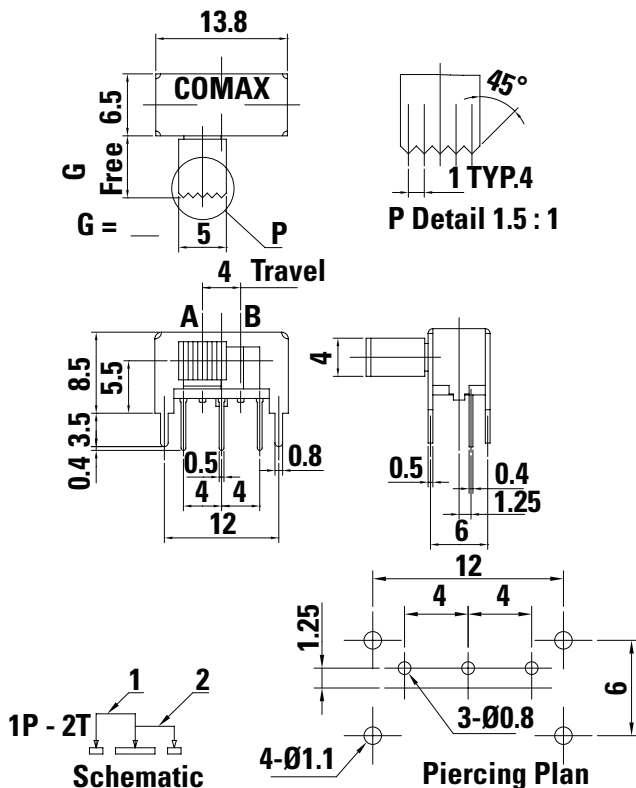
Contact Rating	0.3A @ 30 VDC
Initial Contact Resistance	30 m ohms max.
Insulation Resistance	100 M ohms min.
Dielectric Strength	500 V AC (50-60 Hz) between open terminals and between the frame and terminal.
Operating Life	10,000 cycles with load
Operating Force	200 ± 100 gf (1.96 ± 0.98N) 250 ± 100 gf (2.45 ± 0.98N)
Travel	3 ± 0.3 mm
Operating Temperature	-20°C to 70°C

Materials

Knob	POM
Frame	SPCC
Contact	Silver clad
Terminal	Silver plated

4mm Travel

SK-12H04-G 6 NS PA 1P2T Non-Shorting 6mm Knob



Specifications

Contact Rating	0.3A @ 30 VDC
Initial Contact Resistance	30 m ohms max.
Insulation Resistance	100 M ohms min.
Dielectric Strength	500 V AC (50-60 Hz) between open terminals and between the frame and terminal.
Operating Life	10,000 cycles with load
Operating Force	250 ± 100 gf (2.45 ± 0.98N)
Travel	4 ± 0.3 mm
Operating Temperature	-20°C to 70°C

Materials

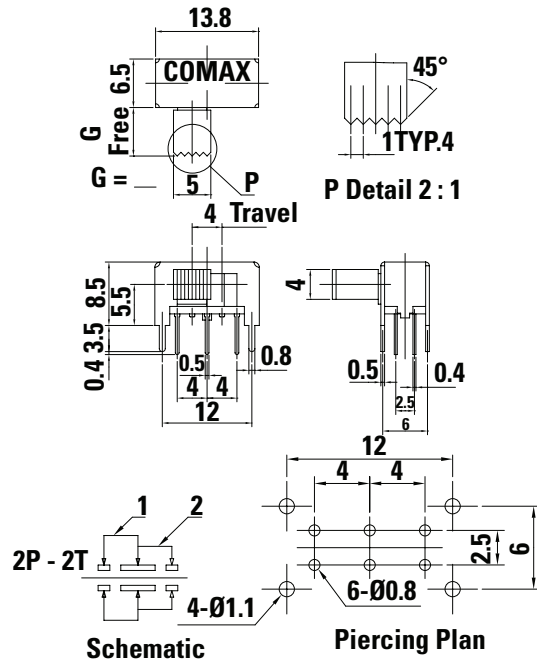
Knob	PA
Frame	SPCC
Contact	Silver clad
Terminal	Silver plated

SK Series

Miniature Slide Switches - Side Knob



SK-22H04-G 7 NS DPDT Non-Shorting 7mm Knob
 SK-22H04-G 9 NS DPDT Non-Shorting 9mm Knob
 SK-22H04-G 12 NS DPDT Non-Shorting 12mm Knob



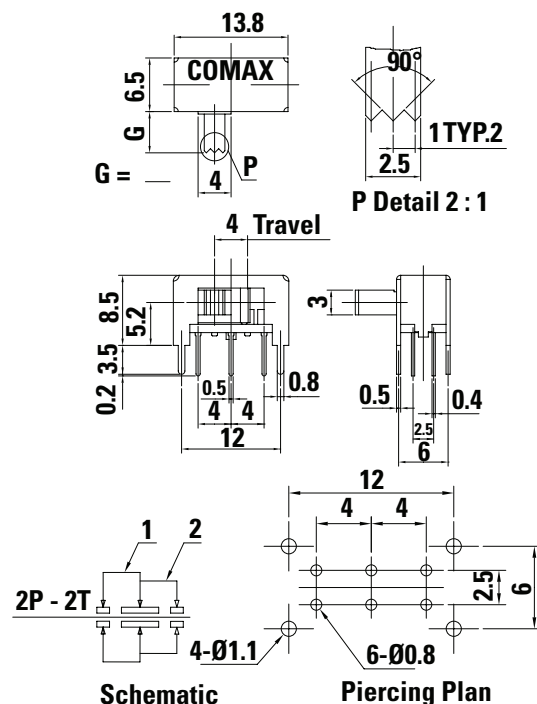
Specifications

Contact Rating	0.3A @ 30 VDC
Initial Contact Resistance	30 m ohms max.
Insulation Resistance	100 M ohms min.
Dielectric Strength	500 V AC (50-60 Hz) between open terminals and between the frame and terminal.
Operating Life	10,000 cycles with load
Operating Force	250 ± 100 gf (2.45 ± 0.98N)
Travel	4 ± 0.3 mm
Operating Temperature	-20°C to 70°C

Materials

Knob	POM
Frame	SPCC
Contact	Silver clad
Terminal	Silver plated

SK-22H24-G 4 NS DPDT Non-Shorting 4mm Knob
 SK-22H24-G 5 NS DPDT Non-Shorting 5mm Knob
 SK-22H24-G 6 NS DPDT Non-Shorting 6mm Knob



Specifications

Contact Rating	0.3A @ 30 VDC
Initial Contact Resistance	30 m ohms max.
Insulation Resistance	100 M ohms min.
Dielectric Strength	500 V AC (50-60 Hz) between open terminals and between the frame and terminal.
Operating Life	10,000 cycles with load
Operating Force	250 ± 100 gf (2.45 ± 0.98N)
Travel	4 ± 0.3 mm
Operating Temperature	-20°C to 70°C

Materials

Knob	POM
Frame	SPCC
Contact	Silver clad
Terminal	Silver plated

Disclaimer Notice - Information furnished is believed to be accurate and reliable. However, users should independently evaluate the suitability of and test each product selected for their own applications. Littelfuse products are not designed for, and may not be used in, all applications. Read complete Disclaimer Notice at <http://www.littelfuse.com/disclaimer-electronics>.