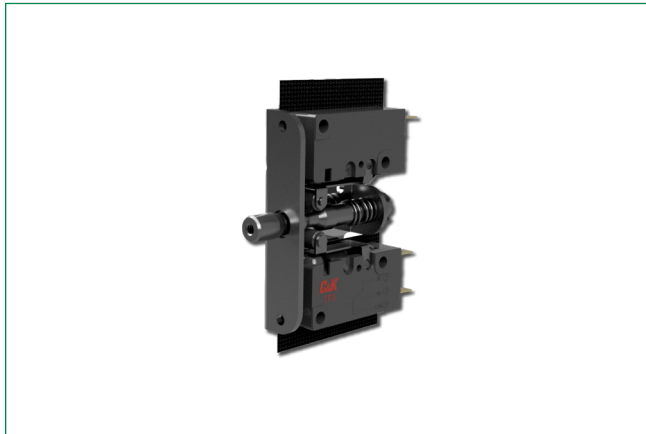


SL Series

Sealed Interlock Door Switches



Description

SL series is a sealed heavy duty interlock switch perfect for outdoors and harsh environment applications. It is offered with 0.187" quick connect terminal or potted 12 inches (304.8 mm) wire long and IP67 rated.

Features & Benefits

- IP60/IP67 rated
- From 0.1A to 10A max.
- AC or DC rating voltage
- Push (MOM)/pull motion (maintained)
- Threaded or non-threaded plunger
- SPDT or DPDT (extended SS bracket)
- Integrated wire harness solution

Applications

- Industrial food equipment
- String converters
- Test lab equipment
- Panel builders
- Industrial enclosures

Specifications

| | |
|--|---|
| Electrical Life | 10,000 cycles |
| Contact Rating | 0.1A @ 125/250 VAC or 30VDC; 3A @ 125/250 VAC or 30VDC; 6A @ 125/250 VAC or 30VDC; 10A @ 125/250 VAC or 5A@ 30VDC |
| Electrical Operating Efficiency | 10-30 operations/minute |
| Mechanical Life | 1,000,000 operations |
| Mechanical Operating Efficiency | 120 operations/minute |
| Insulation Resistance | (at 500 VDC/minute) 100 M ohm min. |
| Dielectric Strength | 1,500 VAC (50-60 Hz) |
| Operating Temperature | 40°C-85°C (with no icing) |
| Operating Force | 200 grams |

Materials

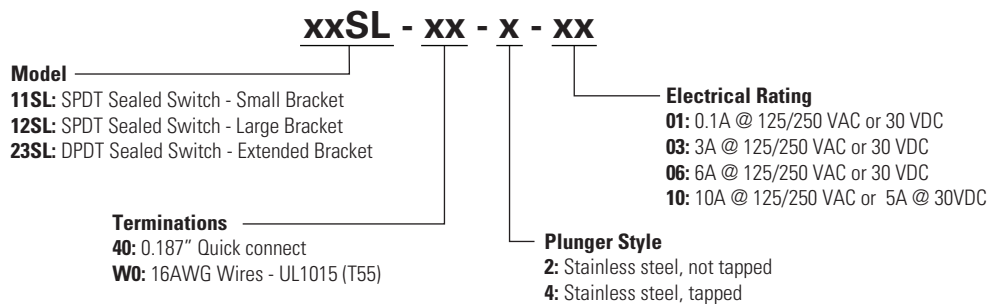
| Mounting Bracket | Stainless steel |
|-------------------------|-----------------|
| Plunger | Stainless steel |
| Spring | Copper alloy |
| Switch Materials | |
| Case | Nylon |
| Movable Contacts | Silver Alloy |
| Terminals | Copper alloy |
| Roller Lever | Stainless steel |
| Wire | PVC + CU |

Notes:

Specifications and materials listed above are for switches with standard options. For information on specific and custom switches, consult Customer Service Center.

Ordering Number

To order, simply select desired option from each category and place in the appropriate box. For additional options not shown in catalog, consult Customer Service Center.

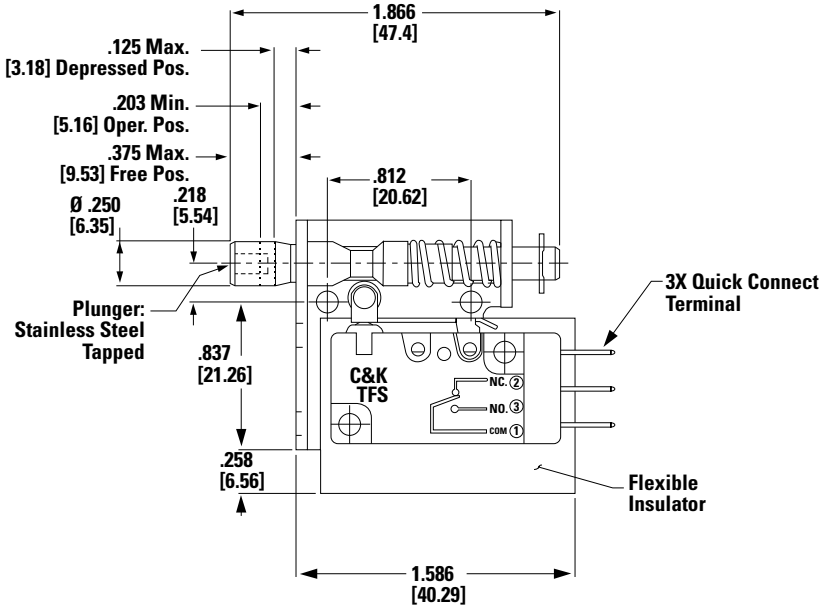
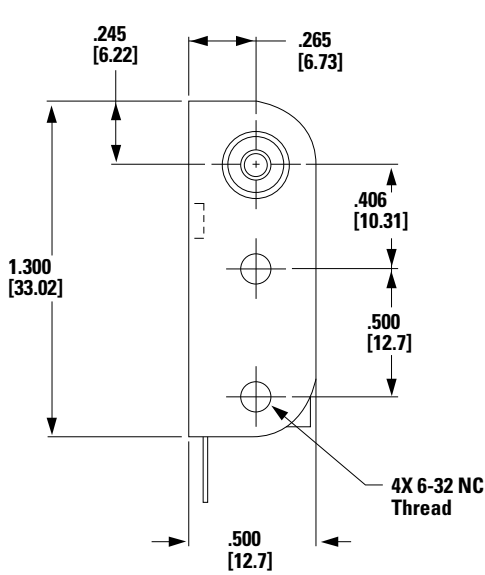


SL Series

Sealed Interlock Door Switches

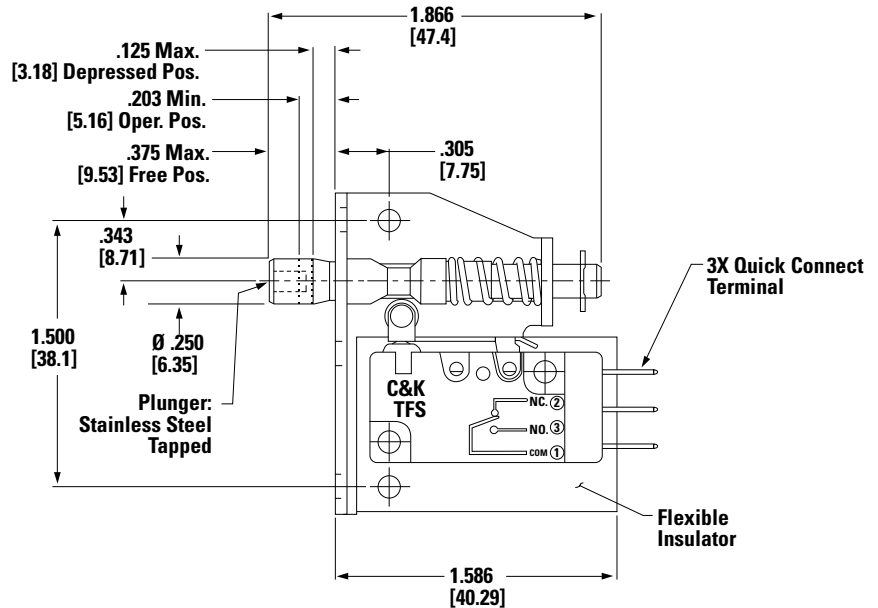
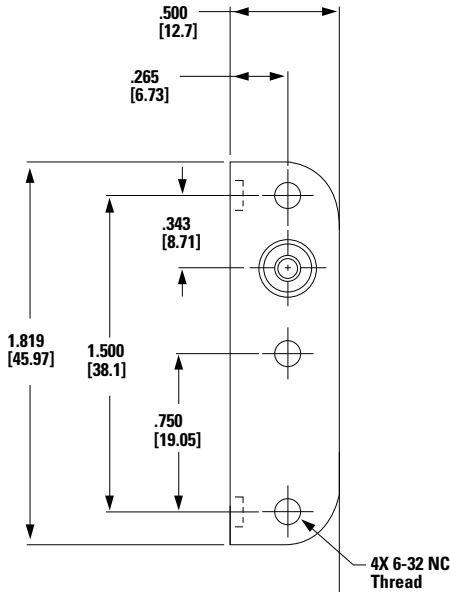


Model 11SL With Small Bracket 11SL404 SPDT



Notes:
Switch Characteristics: Operating Force lbs. Max. 8

12SL With Large Bracket 12SL404 SPDT



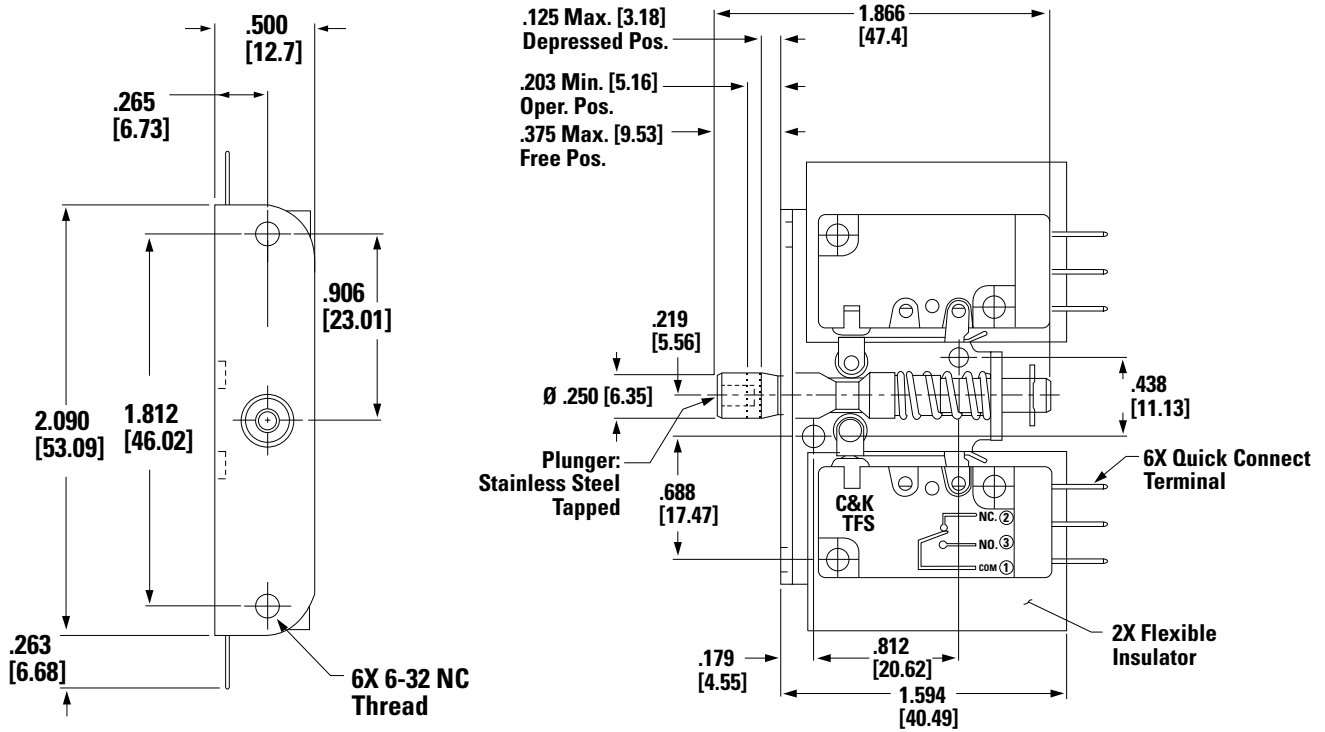
Notes:
Switch Characteristics: Operating Force lbs. Max. 8

SL Series

Sealed Interlock Door Switches

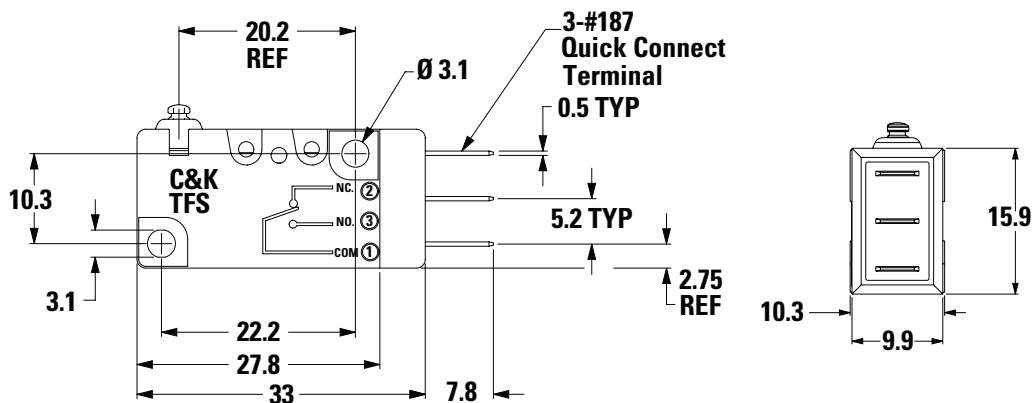


23SL With Two Switches 23SL404 SPDT



Notes:
Switch Characteristics: Operating Force lbs. Max. 8

Terminations 40 0.187" Quick Connect

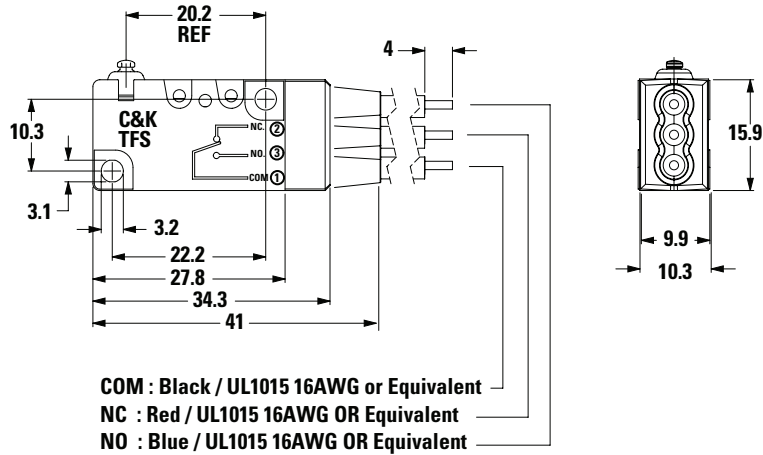


SL Series

Sealed Interlock Door Switches

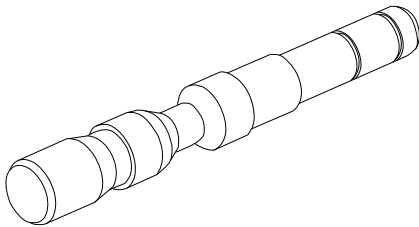


W Wire UL1015

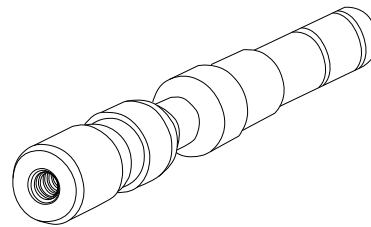


Plungers

2 Stainless Steel, Not Tapped



4 Stainless Steel, Tapped 4-40 x .375 (9.52) min. Depth



Electrical Rating

| Electrical Rating Code | Amps | Contact Rating | Wire Type 16 AWG |
|------------------------|------|--------------------------------|------------------|
| 01 | 0.1 | 0.1A @ 125/250 VAC or 30VDC | • |
| 03 | 3 | 3A @ 125/250 VAC or 30VDC | • |
| 06 | 6 | 6A @ 125/250 VAC or 30VDC | • |
| 10 | 10 | 10A @ 125/250 VAC or 5A@ 30VDC | • |

Disclaimer Notice - Information furnished is believed to be accurate and reliable. However, users should independently evaluate the suitability of and test each product selected for their own applications. Littelfuse products are not designed for, and may not be used in, all applications. Read complete Disclaimer Notice at <http://www.littelfuse.com/disclaimer-electronics>.