

TF2 Series

Mid Size Snap-acting Switches



Agency Approvals

Agency	Agency File Number
C US	E42363
	ENEC-03347

Specifications

Contact Rating	From low level ¹ to 10 amps @125/250 V AC.
Electrical Life	10,000 cycles
Mechanical Life	1,000,000 cycles at 0.1A and 6A 400,000 cycles at 10A
Insulation Resistance	1,000 M ohm min.
Dielectric Strength	1,500 Vrms min. @ sea level
Operating Temperature	-40°C to 125°C (-40°C to 85°C)
Operating Force	From 18 to 330 grams at actuator button available
Mounting	Torque screws 2-5 in/lbs

Notes:

1. Low Level=conditions where no arcing occurs during switching, i.e., 0.4 VA max. @ 20 V AC or DC max. Standard electrical life per UL 1054, rated for 6,000 operations.

Description

Designers of motor controls, thermostatics and portable tools turn to the TF2 series because of its reputation for long-lasting performance. The TF2 series is a mid size snap-acting switch that features a broad range of operating forces, a wide variety of actuator styles and ratings of up to 10A.

Features & Benefits

- Broad range of operating forces
- Ratings up to 10 AMPS
- Wide variety of actuator styles
- Quick connect terminations

Applications

- Motor controls
- Thermostatics
- Portable tools

Materials

Switch Housing/ Actuator Button	Nylon 6/6
Spring	Stainless Steel
Pivot	Brass Alloy
Movable Contacts	See electric rating page 3
Movable Blade	BeCu
Stationary Contacts	See electric rating page 3
Terminals	Brass Alloy

Notes:

Specifications and materials listed above are for switches with standard options. For information on specific and custom switches, consult Customer Service center.

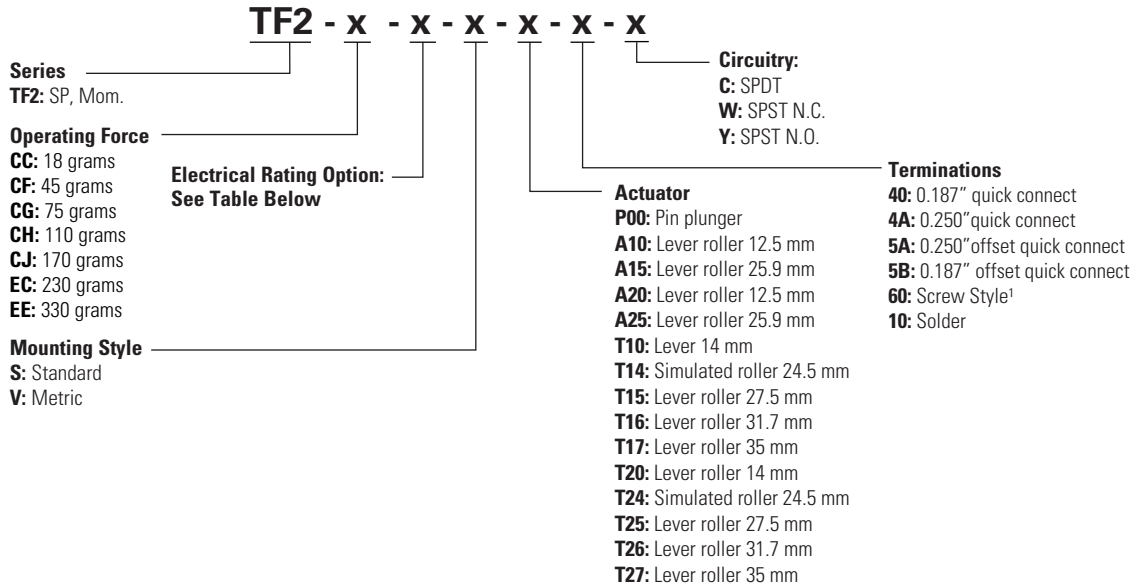
TF2 Series

Mid Size Snap-acting Switches



Ordering Number

To order, simply select desired option from each category and place in the appropriate box. For additional options not shown in catalog, consult Customer Service Center.



Option Code	US 61058-1	
F5	0.1A 125/250 V AC (T85) Min. 10,000 operations	0.1A 125/250 VAC μT125, 1E4
H8	6A 125/250 V AC (T85) Min. 10,000 operations	6A 125/250 VAC μT125, 1E4
K6	10A 125/250 V AC (T85) Min. 10,000 operations	10(4)A 125/250 VAC μT125, 1E4

Notes:
See chart on following pages of compatible electrical ratings and operating force options. No. UL & ENEC 15 safety. For Termination option "60"

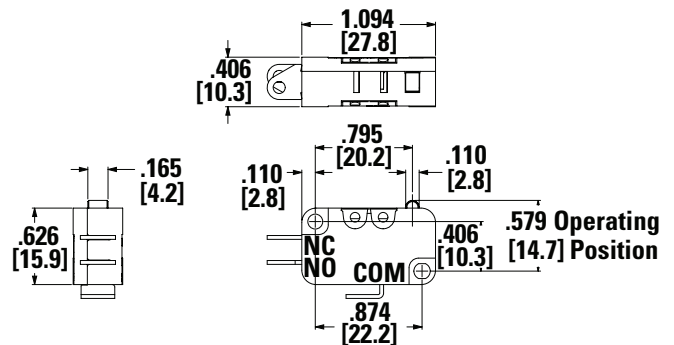
Operating Force

Option Code	Basic Switch Operating Force (grams)
CC	18
CD	45
CF	75
CG	110
CJ	170
EC	230
EE ¹	330

Notes:
1. Minimums may apply, consult Customer Service Center.

TF2 Series inches (mm)

Mid Size Snap-Acting Switches - SP Momentary



TF2 Series

Mid Size Snap-acting Switches



Electrical Rating

Option Code	Contact Material		Movable Contact	Stationary Contact
	RoHS Compliant ¹	RoHS Compatible ¹		
F5	Yes		Silver Alloy	
H8				
K6				

Notes: See Technical Data section of this catalog for RoHS compliant and compatible definition and specifications. All models us

International Rating Symbols

μ	Microgap construction (less than 3 mm).
~	AC
T_ _	Max. Rating use temperature
50E3	Cycles over 50,000 at rated current.
10E3	Cycles over 10,000 at rated current.
10(3)	Current Rating: First number represents resistive rating; second number represents inductive (motor) rating.

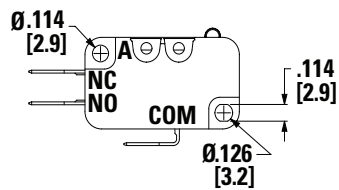
Notes: See Technical Data section of this catalog for RoHS compliant and compatible definition and specifications. All models us Consult Customer Service center for availability and delivery of non-standard ratings. Low Level=conditions where no arcing occurs during switching, i.e., 0.4 VA max. @ 20 V AC or DC max.

Electrical Rating	Amps (REF.)	Operating Force						
		CC (18)	CF (45)	CG (75)	CH (110)	CJ (170)	EC (230)	EE (330)
F5	0.1	•	•	•	•	•	•	X
H8	6	X	•	•	•	•	•	•
K6	10	X	X	X	•	•	•	•

Notes:
 • Available
 X: Not Available

Mounting Style inches (mm)

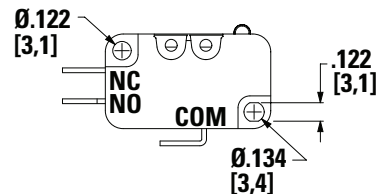
S Standard for 4-40 Screw Size



TF2 Switch with Type 40 (0.187 QC) Terminals and P00 Actuator Shown

Note: Torque Mounting Screws 2-5 in/lbs.

V Metric for 3 mm Screw Size



TF2 Switch with Type 10 (Solder) Terminals and P00 Actuator Shown

Note: Torque Mounting Screws 2-5 in/lbs.

TF2 Series

Mid Size Snap-acting Switches



Actuator

Option Code	Fig.	Dim. A	Dim. B	Dim. C	Dim. D	Dim. E
P00	2	0.795 (20.2)	-	0.578 ± 0.019 (14.70 ± 0.05)	0.068 (1.72)	-
A10	1	0.822 (20.9)	0.33 (8.4)	0.816 ± 0.050 (20.73 ± 1.27)	0.106 (2.70)	0.19 (4.8)
A15		1.35 (34.3)				
A20		1.05 (26.8)	0.56 (14.3)	0.816 ± 0.050 (20.73 ± 1.27)	0.183 (4.65)	
A25		1.58 (40.2)				
T10	3	0.882 (22.39)	0.33 (8.4)	0.602 ± 0.020 (15.3 ± 0.50)	0.110 (2.80)	-
T14	4	1.295 (32.9)	0.33 (8.4)	0.737 ± 0.059 (18.72 ± 1.5)	0.216 (5.50)	Ø0.275 (Ø7.0)
T15	3	1.405 (35.69)	0.33 (8.4)	0.600 ± 0.059 (15.24 ± 1.5)	0.232 (5.90)	-
T16		1.58 (40.01)				
T17		1.708 (43.39)	0.56 (14.3)	0.603 ± 0.062 (15.33 ± 1.57)	0.216 (5.50)	
T20		1.11 (28.3)				
T24	4	1.527 (38.8)	0.56 (14.3)	0.742 ± 0.090 (18.84 ± 2.29)	0.342 (8.70)	Ø0.275 (Ø7.0)
T25	3	1.631 (41.43)	0.56 (14.3)	0.609 ± 0.090 (15.47 ± 2.3)	0.381 (9.70)	-
T26		1.811 (46.00)				
T27		1.94 (49.3)	0.598 ± 0.150 (15.2 ± 3.8)	0.433 (11.0)		

Note: Switch characteristics chart on following page.

Lever Roller

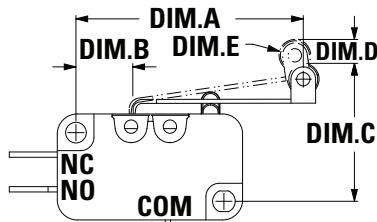


Figure 1 Lever Roller
TF2XXXMA1510C

Pin Roller

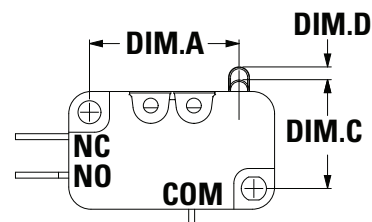


Figure 2 Pin Roller
TF2XXXMP0010C

Lever

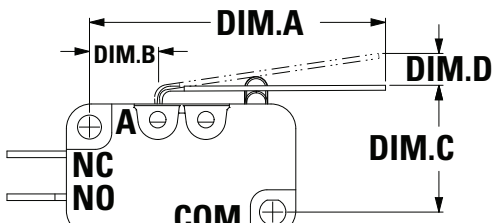


Figure 3 Lever
TF2XXXST1510C Shown

Simulated Roller

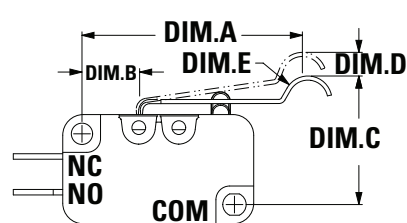


Figure 4 Simulated Roller
TF2XXXST1410C

TF2 Series

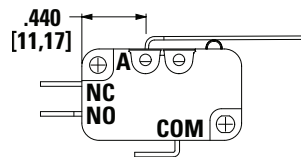
Mid Size Snap-acting Switches



Actuator

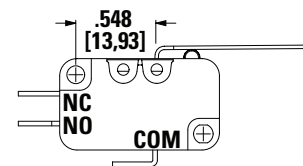
Lever Type		CC	CF	CG	CH Grams	CJ	EC	EE	Max. Differential Travel	Max. Pre-Travel	Min. Over Travel mm
									All Forces		
P00	OF	18	45	75	110	170	230	330	1.72	0.4	0.8
	RF	3	7	14	20	34	42	60			
T10	OF	18	45	75	110	170	230	330	2.8	0.5	0.6
	RF	-	6	11	17	25	35	50			
T20	OF	8	27	43	50	85	120	175	5.2	0.9	1.55
	RF	-	3	5	7	13	17	25			
T14	OF	10	28	43	65	110	140	205	5.5	1.1	1.4
	RF	-	3	5	8	14	17	31			
T24	OF	7	16	24	35	56	70	100	8.7	1.7	3.2
	RF	-	-	-	4	5	9	12			
A10	OF	20	55	80	110	170	230	330	2.7	0.45	0.6
	RF	-	5	11	16	28	31	45			
A20	OF	8	35	55	70	100	120	175	4.65	0.8	1.4
	RF	-	3	5	7	14	18	28			
A15	OF	8	30	45	65	100	125	180	4.2	1.25	1.6
	RF	-	-	5	7	12	16	25			
A25	OF	7	20	30	40	51	65	90	9.3	1.8	2.8
	RF	-	-	-	-	6	8	9			
T17	OF	16	25	35	50	80	100	140	5.5	1.2	0.55
	RF	-	2	4	6	11	14	20			
T27	OF	13	18	24	32	45	55	90	11	2.3	3.6
	RF	-	-	2	3	5	7	10			
T16	OF	15	17	32	55	85	110	150	5	1.05	1.8
	RF	-	-	4	6	12	15	22			
T26	OF	10	12	18	35	45	65	90	9.9	2.05	3.6
	RF	-	-	2	4	6	8	11			
T15	OF	18	22	37	50	86	125	180	5.9	1	1.6
	RF	-	3	5	9	14	17	24			
T25	OF	5	16	25	30	51	65	90	9.7	2.2	3.1
	RF	-	-	3	4	6	8	11			

High Force, Low Motion Pivot Position



Available with actuators A10, A15, T10, T13, T14, T15, T16 and T18.

Low Force, High Motion Pivot Position



Available with actuators A20, A25, T20, T23, T24, T25, T26, and T28.

Notes: Lever actuator options are available in either of two pivot positions. Levers located in the forward pivot position have lower forces and higher motions. Levers located in the rear pivot position have higher forces and lower motions.

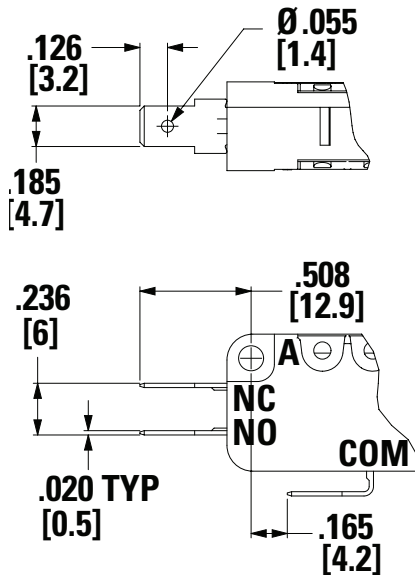
TF2 Series

Mid Size Snap-acting Switches

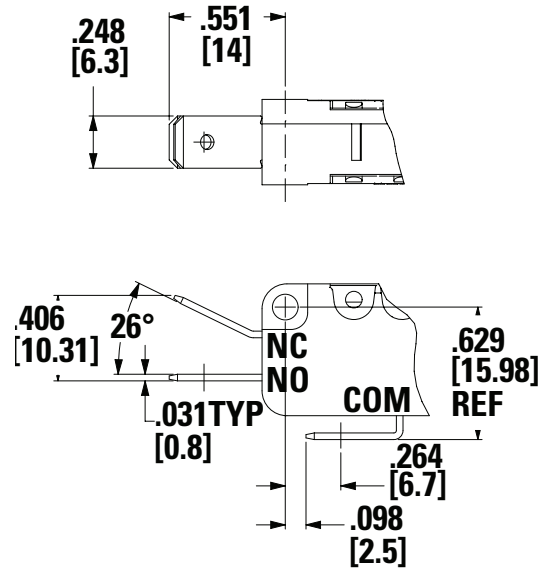


Terminations inches [mm]

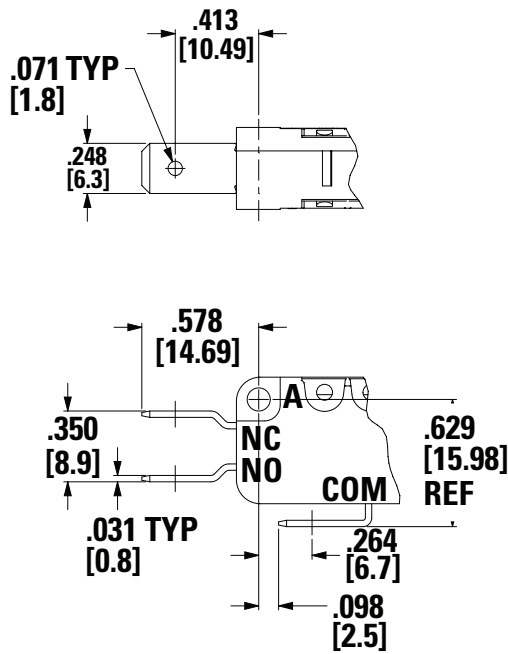
40 0.187" Quick Connect



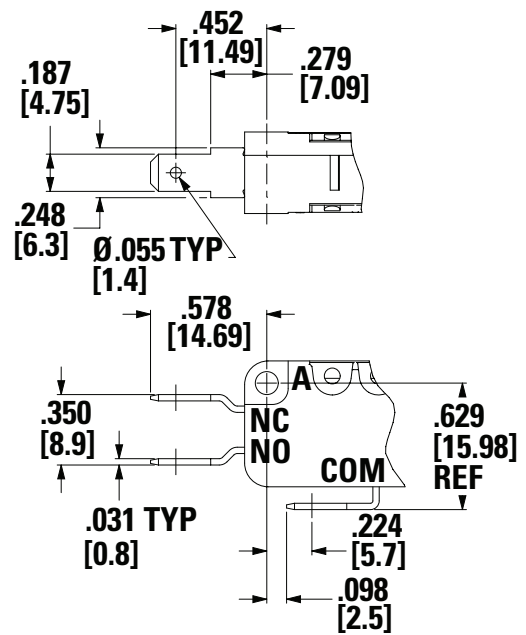
4A 0.250" Quick Connect



5A Offset 0.250" Quick Connect



5B Offset 0.187" Quick Connect



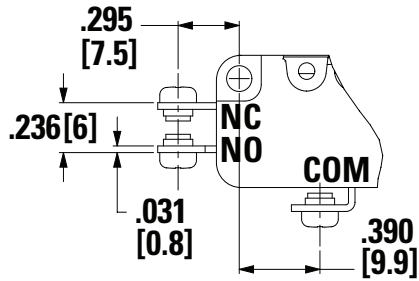
TF2 Series

Mid Size Snap-acting Switches



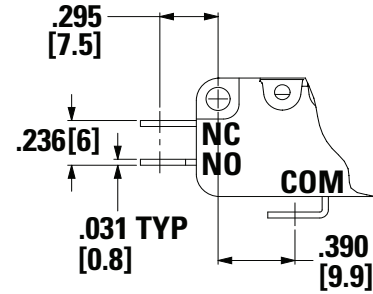
60 Screw Style

4-40 X .125
(3.18)TYP.
Screws &
Lockwashers



10 Solder

Ø.098
[2.5]
TYP



Circuitry

- C** SPDT (Single Pole, Double Throw)
- W** SPST N.C. (Single Pole, Single Throw Normally Closed)
- Y** SPST N.O. (Single Pole, Single Throw Normally Open)

Disclaimer Notice - Information furnished is believed to be accurate and reliable. However, users should independently evaluate the suitability of and test each product selected for their own applications. Littelfuse products are not designed for, and may not be used in, all applications. Read complete Disclaimer Notice at <http://www.littelfuse.com/disclaimer-electronics>.