

TL Series

Door Interlock Switches



Description

The TL series door interlock switch features push/pull motion, multiple mounting configurations and a wide variety of termination options, making them perfect for computer enclosures, industrial enclosures and panel builders. Designers of these applications across the globe turn to the TL switches because of their reputation for being high-performing and long-lasting.

Features & Benefits

- Push/pull motion
- Multiple mounting configurations
- Wide variety of termination options
- Ratings up to 15 AMPS

Applications

- Computer enclosures
- Panel builders
- Industrial enclosures

Specifications

Contact Rating	15 amps @ 125 & 250 V AC; 0.25 amp @ 250 V DC; 0.5 amp @ 125 V DC; 1/2 HP @ 125 & 250 V AC; 3 amps @ 125 V AC "L".
Electrical Life	150,000 cycles at 15 amps @ 250 V AC.
Insulation Resistance	1,000 M ohm min.
Dielectric Strength	1,000 Vrms min. @ sea level
Operating Temperature	-55°C to 150°C

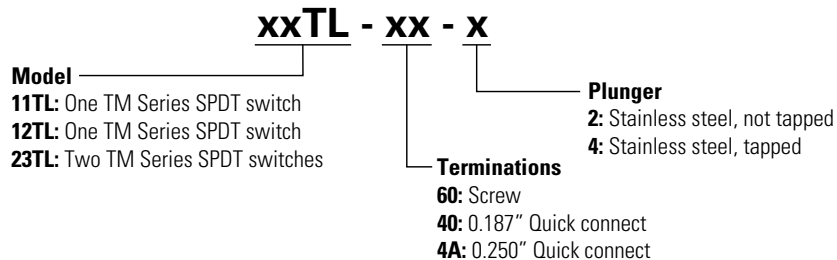
Notes:
Specifications and materials listed above are for switches with standard options. For information on specific and custom switches, consult Customer Service Center.

Materials

Switch Housing	Thermoplastic or general purpose phenolic (UL 94V-0).
Mounting Bracket/Plunger	Stainless steel.
Actuator Button	Thermoplastic (UL 94V-0)
Spring	Copper alloy
Pivot	Brass alloy
Movable Contacts	Fine Silver
Stationary Contacts	
Terminals	Copper alloy

Ordering Number

To order, simply select desired option from each category and place in the appropriate box. For additional options not shown in catalog, consult Customer Service Center.

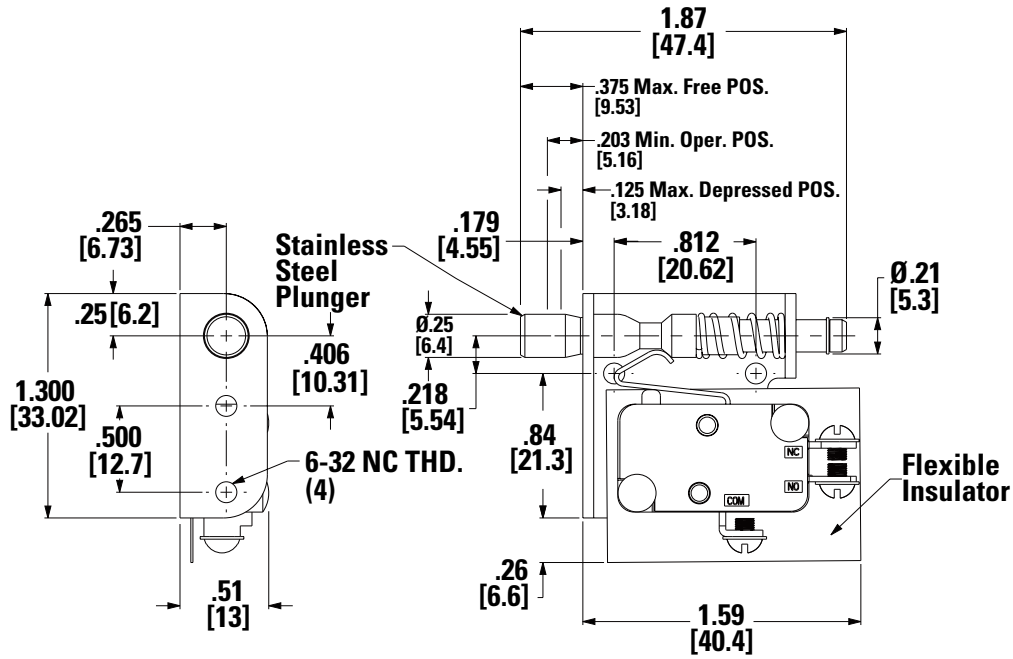


TL Series

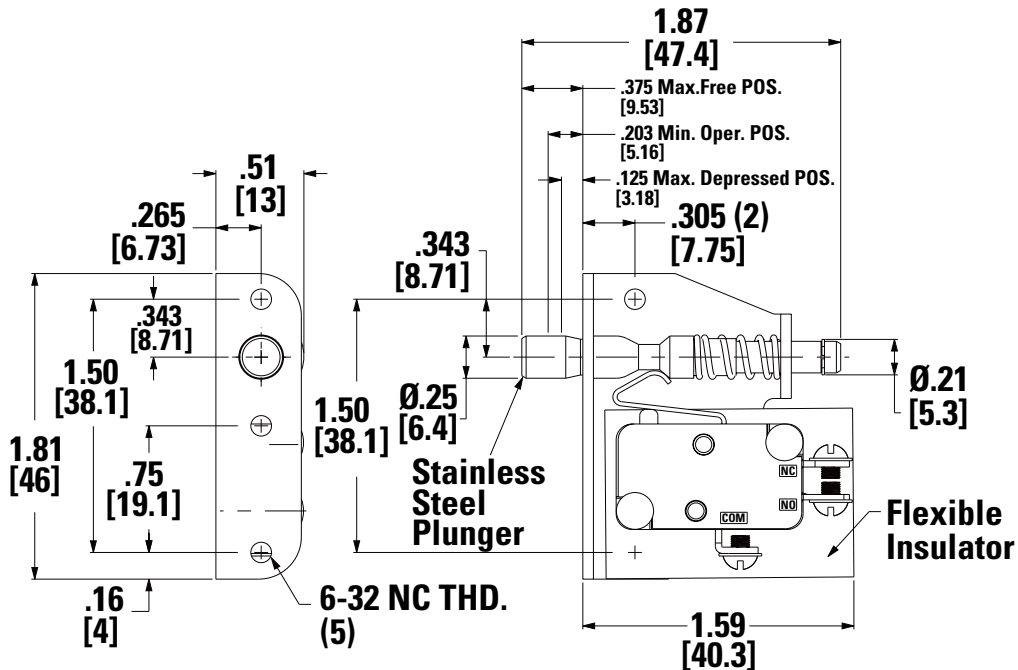
Door Interlock Switches



11TL With Small Bracket
11TL602 SPDT Dimensions inches (mm)



12TL With Large Bracket
12TL602 SPDT Dimensions inches (mm)



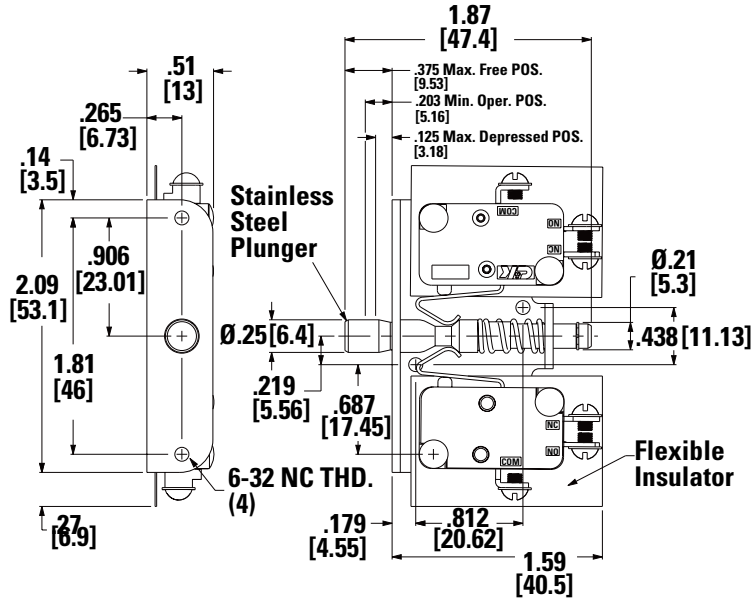
Note: Torque screws to 6in lbs max

TL Series

Door Interlock Switches

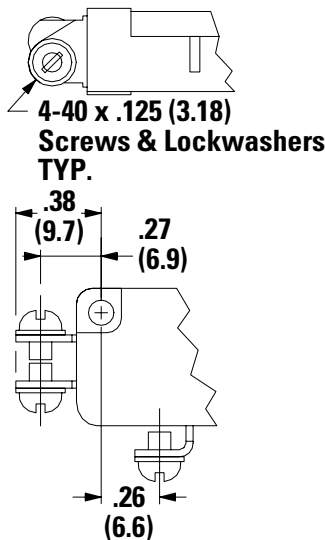


23TL With Two Switches
23TL602 SPDT Dimensions inches (mm)

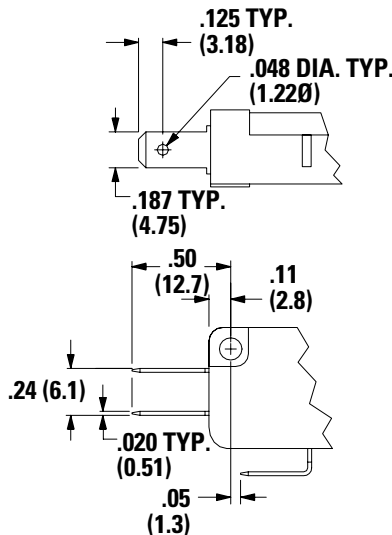


Terminations
 Dimensions inches (mm)

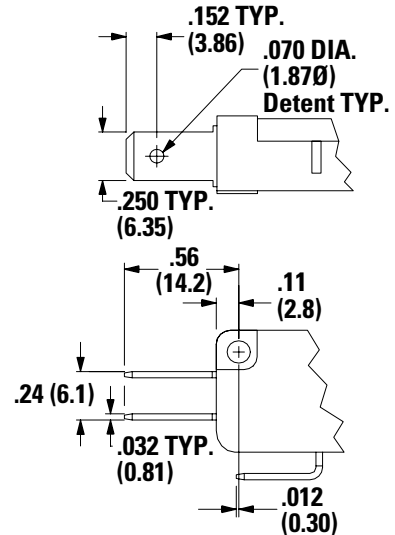
60 Screw Terminals



40 0.187" Quick Connect



4A 0.250" Quick Connect



Note: Torque screws to 6in lbs max

Plungers

- 2 Stainless Steel, Not Tapped
- 4 Stainless Steel, Tapped 4-40 x 0.375 (9.52) min. depth

Disclaimer Notice - Information furnished is believed to be accurate and reliable. However, users should independently evaluate the suitability of and test each product selected for their own applications. Littelfuse products are not designed for, and may not be used in, all applications. Read complete Disclaimer Notice at <http://www.littelfuse.com/disclaimer-electronics>.

