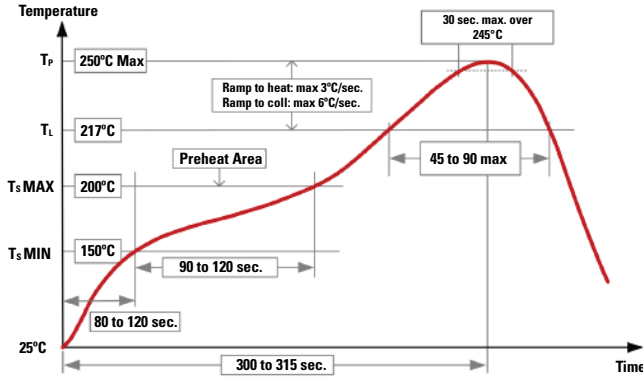


EL2 Series

6.2 x 6.2mm Basic Tactile Switch for SMT



EL2 Reflow Soldering Profile



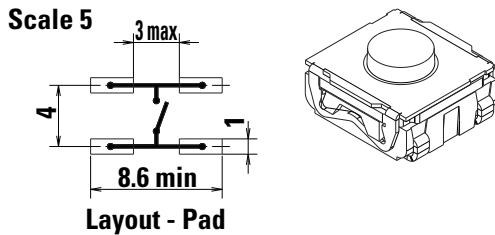
T_P	Peak Package Body Temperature
T_L	Liquidous Temperature
T_G	Preheat/Soak Temperature

Process

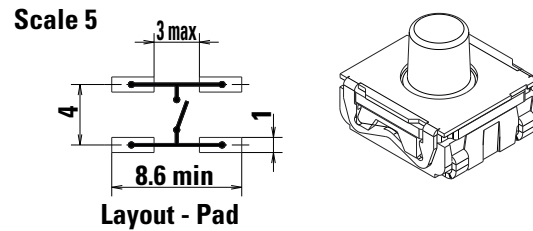
Soldering This component is suited to the following methods:
 Cleaning according to typical washing processes
 Lead free reflow soldering process in accordance with IEC 61760-1

Pad Layout Dimensions (mm)

3.5 mm height

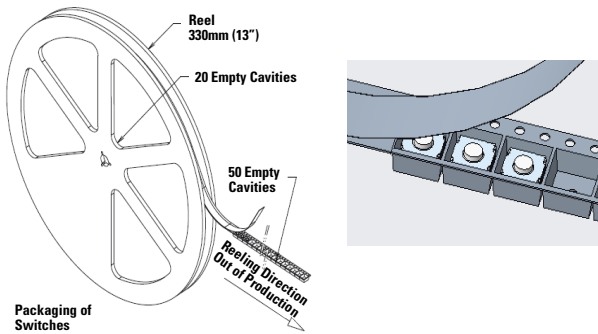


5.2 mm height

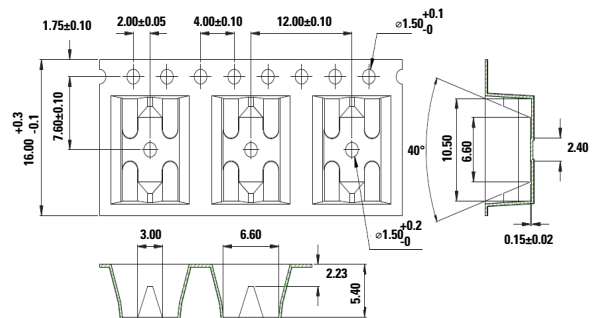
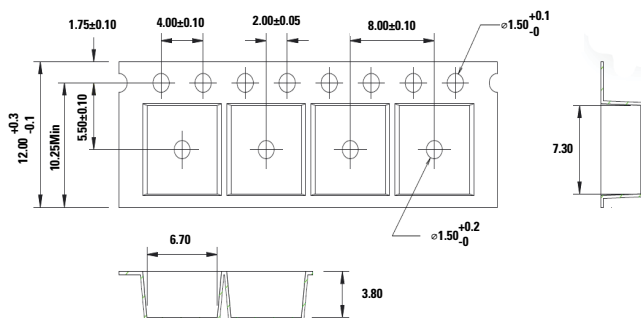
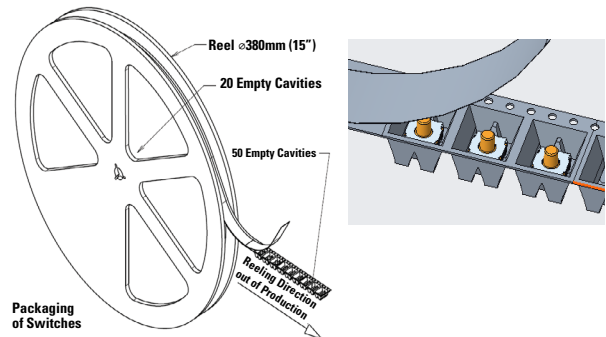


Packaging Dimensions (mm)

EL2 35 20J LFS & EL2 35 35J LFS



EL2 52 20J LFS & EL2 52 35J LFS



EL2 Series

6.2 x 6.2mm Basic Tactile Switch for SMT



Packaging Details

Series	EL2 35	EL2 52
Type	Tape & Reel	Tape & Reel
Number of parts in packaging	2000	1400
Other Information	Tape & Reel per EIA 481	Tape & Reel per EIA 481
Transport Conditions	According to specification NF H00-060	According to specification NF H00-060

Ordering Number

Our easy build-a-switch concept allows you to mix and match options to create the switch you need. To order, select desired option from each category. For any part number different from those listed below, please consult your local representative.

EL2 - xx - xxJ - LFS

Height**35:** 3.5mm**52:** 5.2mm**Operating Force****20:** 2N**35:** 3.5N**LFS:** RoHS compliant and compatible, Silver plated**Termination****J:** J bend

Mechanical Characteristics

Supply Status	Littelfuse Orderable Part Number	Description	Contact & Terminals Plating	Terminals	Operating Force Fa (Newtons)	Operating Life (Operations)	Electrical Travel (mm)	Product Height from PCB (mm)
✓	G01552470	EL2 35 20J LFS	Silver	J bend for SMT	2.0 +/- 0.6	200000	0.3 +/- 0.2	3.5
✓	G01552471	EL2 35 35J LFS	Silver	J bend for SMT	3.5 +/- 1.0	200000	0.6 +/- 0.25	3.5
✓	G01552479	EL2 52 20J LFS	Silver	J bend for SMT	2.0 +/- 0.6	200000	0.3 +/- 0.2	5.2
✓	G01552480	EL2 52 35J LFS	Silver	J bend for SMT	3.5 +/- 1.0	200000	0.6 +/- 0.25	5.2

Notes: Supply status: ✓ : Available for ordering.

Liability Limitation

This datasheet does not provide enough information for applications that require a certain level of quality or safety such as automotive, medical systems, or safety equipment. Please contact customer service for the contractual specification package.

Disclaimer Notice - Information furnished is believed to be accurate and reliable. However, users should independently evaluate the suitability of and test each product selected for their own applications. Littelfuse products are not designed for, and may not be used in, all applications. Read complete Disclaimer Notice at <http://www.littelfuse.com/disclaimer-electronics>.