

K5V

Illuminated Tactile Switch



Specifications

Function	Momentary action
Contact Arrangement	Normally Open + Normally Closed
Terminals	THT: Through hole terminals with positioning pegs SMT: Surface mount terminals with positioning pegs
Packaging	THT: 60 pieces per tray; 1800 pieces per box SMT PIP: 330 pieces per reel; 1320 pieces per box SMT Gullwing: 400 pieces per reel; 1600 pieces per box

Electrical Characteristics

Min. / Max. Power	0.02 VA / 1.0 VA
Min. / Max. Voltage	20 VDC - 32 VDC
Min. / Max. Current	0.1mA - 100 mA
Contact Resistance	<150m Ω
Insulation Resistance	>1G Ω initial, >10M Ω after damp heat
Bounce Time	< 5 ms

Environmental Characteristics

Operating Temperature	-40°C to 85°C
Storage Temperature	-50°C to 85°C
Relative Humidity	90 to 96% according to NF EN 60068-2-30
Overload	40N min

Notes:

Specifications listed above are for switches with standard options. For information on specific and custom switches, consult Customer Service Center.

Description

The K5V series illuminated tactile switch features right angle thru-hole and SMT models for wave soldering and reflow soldering processes. It offers various colored high, bright LED options, meeting different application requirements. With reduced space usage on the PCB and excellent ergonomics, the K5V is perfect for network infrastructure, automotive and medical applications.

Features & Benefits

- Integrated high, bright LEDs with various color / bi-color options
- Gold plated dome contacts offer normally open & normally closed functions, and secure a superior contact reliability in time
- Excellent ergonomics provides long travel, a sharp tactile feeling and an audible click
- 4N operation force and 40N overload
- Wave soldering Thru-hole and Reflow soldering PIP & SMT version
- Reduced space usage on board
- RoHS compliant and compatible

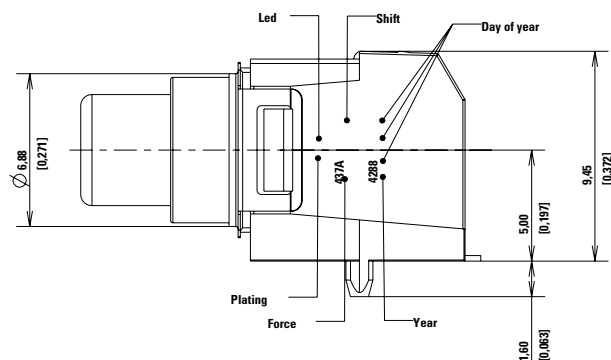
Applications

- Datacenters, servers, network infrastructures
- Medical devices
- Audio / Video devices

Process

Wave Soldering (THT)	Compatible with the lead free soldering profile No washing
Reflow Soldering (PIP/SMT)	

K5V 4 (GH) Drawing and Dimensions (mm)

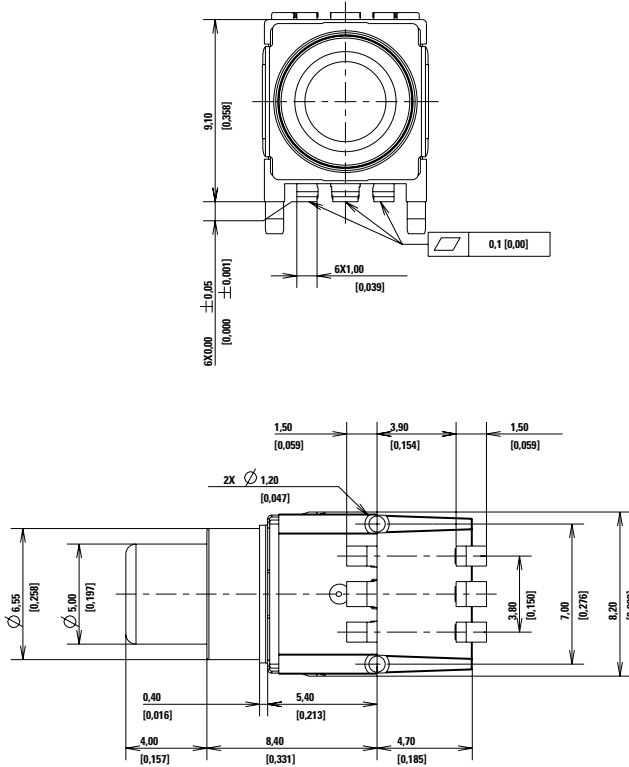


K5V

Illuminated Tactile Switch

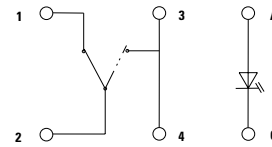


K5V 4 (GH) Drawing and Dimensions (mm)

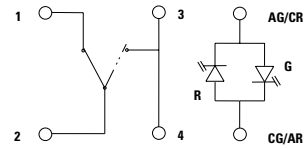


Electrical Diagram

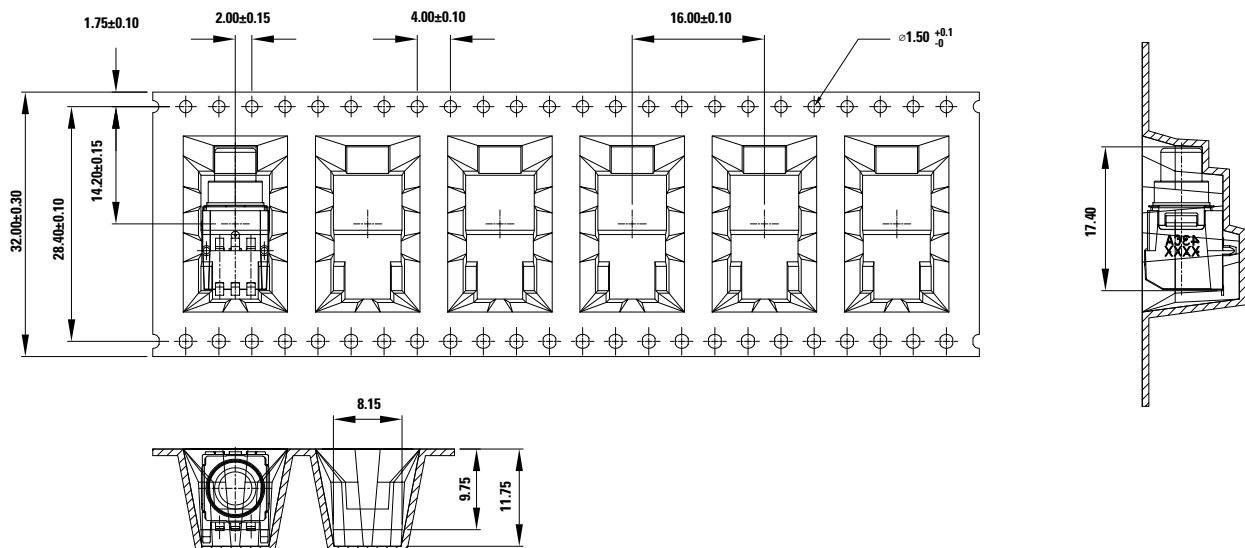
Single Color LED



Bi-Color LED



Packaging K5V 4 GH

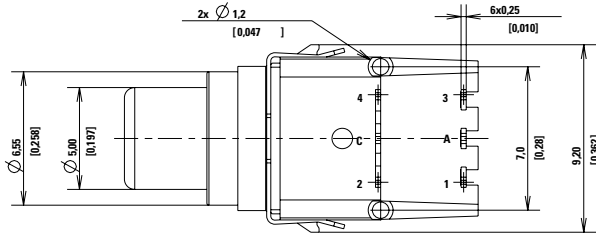


K5V

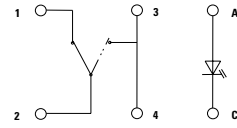
Illuminated Tactile Switch



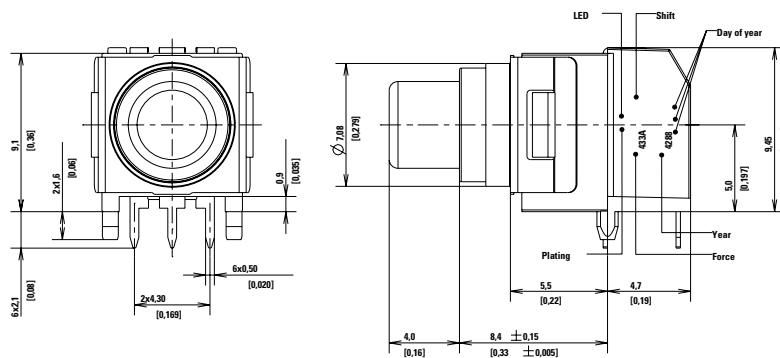
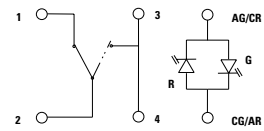
K5V 4 (PIP 2.1mm) Drawing and Dimensions (mm)



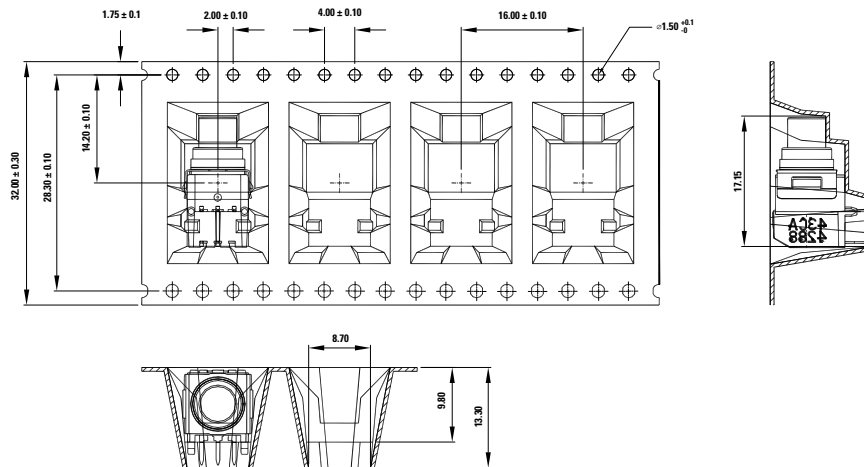
Electrical Diagram



Bi-Color LED



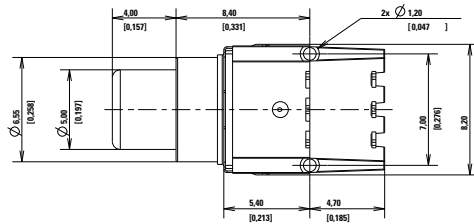
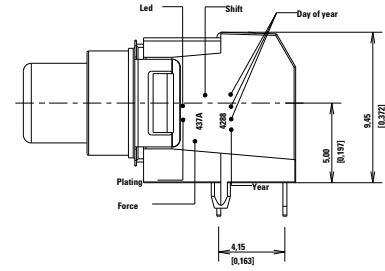
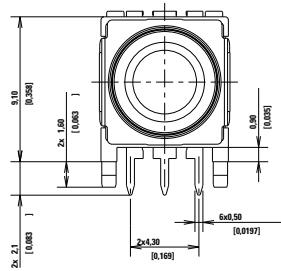
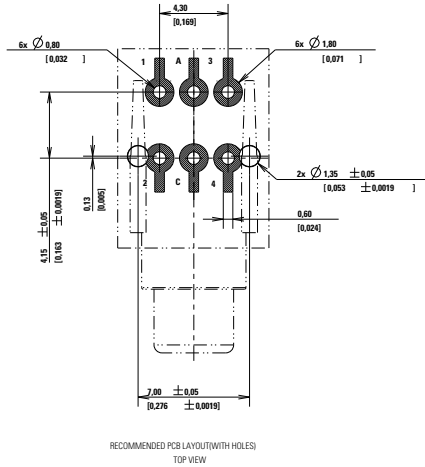
Packaging K5V 4 PIP



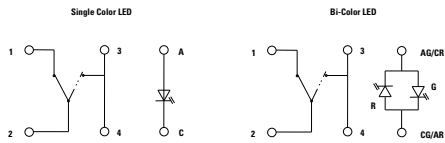
K5V Illuminated Tactile Switch



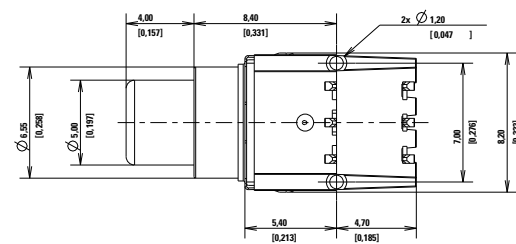
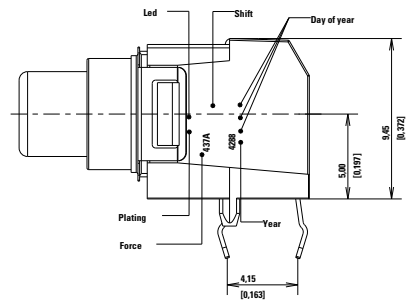
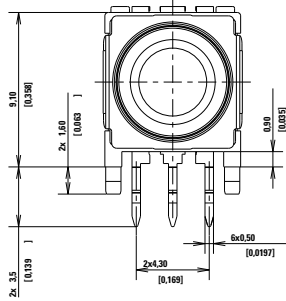
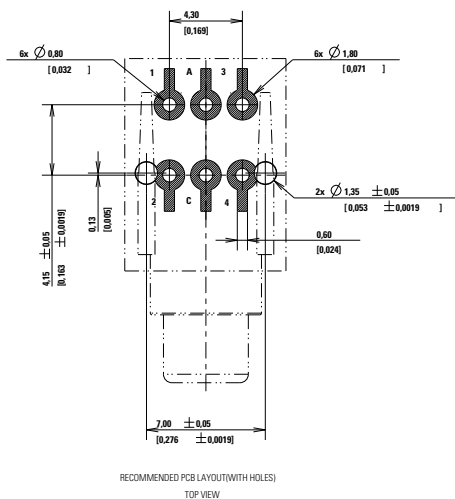
K5V 1 THT 2.1mm Drawing and Dimensions (mm)



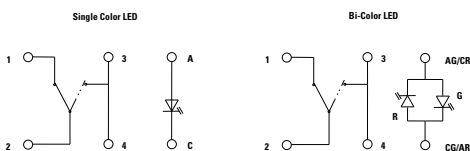
Electrical Diagram



K5V 1 THT 3.5mm Drawing and Dimensions (mm)



Electrical Diagram

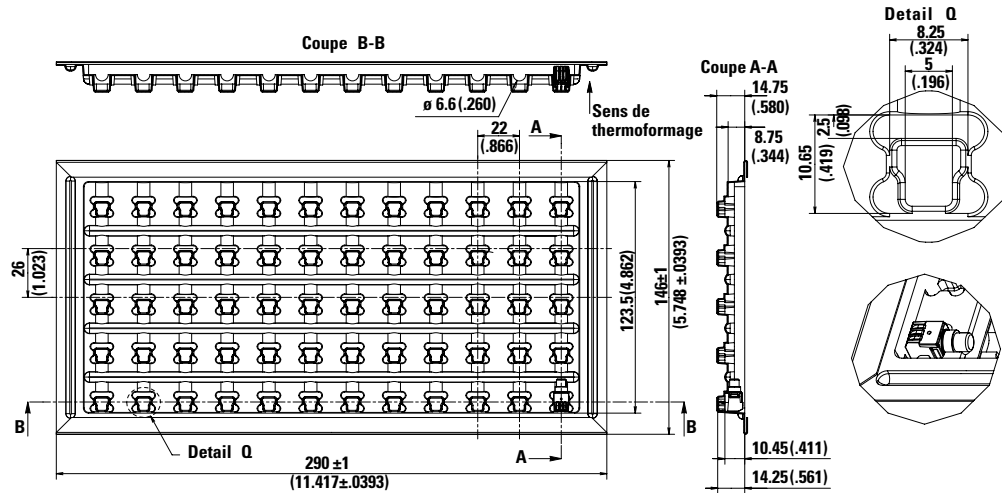


K5V

Illuminated Tactile Switch



Packaging K5V 1 THT



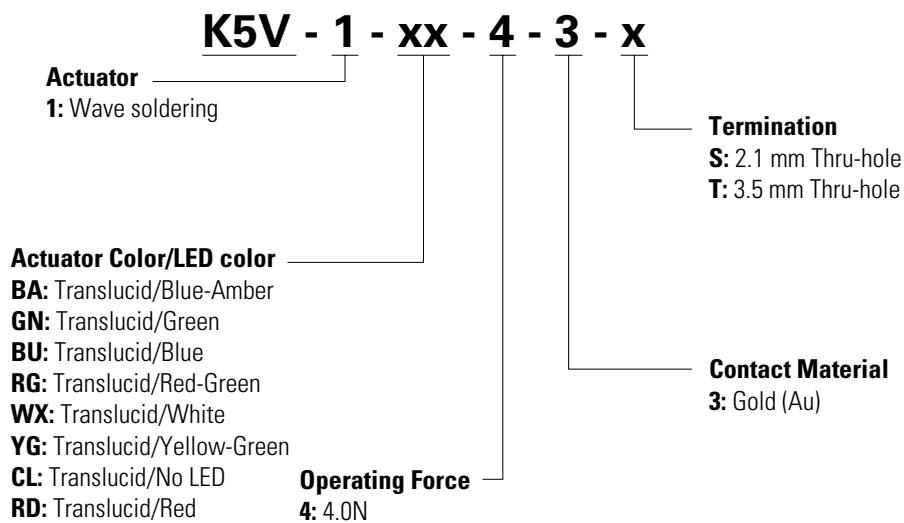
Materials

Contacts	Au over Ni
Soldering	
Housing	Thermoplastic UL94 V0

Ordering Number

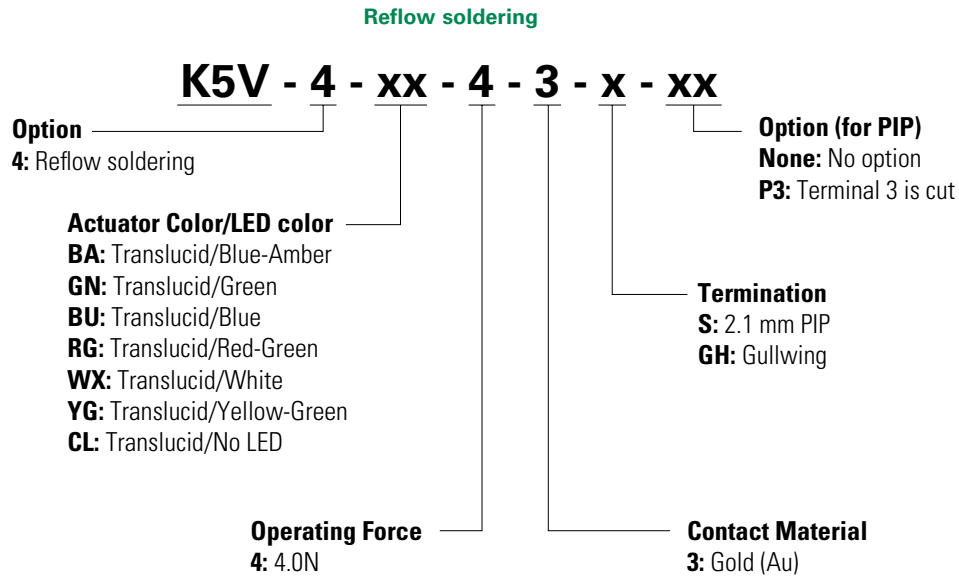
Our easy build-a-switch concept allows you to mix and match options to create the switch you need. To order, select desired option from each category and place it in the appropriate box. For any part number different from those listed above, please consult your local representative.

Wave soldering



K5V

Illuminated Tactile Switch



Mechanical Characteristics

Wave Soldering

Supply Status	Littelfuse Orderable Part Number	Description	Contact & Terminals Plating	Terminals	Operating Force Fa (Newtons)	Operating Life (operations)	Electrical Travel (mm)	LED Color
✓	Y71243531FP	K5V 1 BU 4 3 S	Gold	THT 2.1mm Thru-hole	4.0 ± 1.0	25,000	1.2 ± 0.3	Blue
✓	Y71243231FP	K5V 1 BU 4 3 T	Gold	THT 3.5mm Thru-hole	4.0 ± 1.0	25,000	1.2 ± 0.3	Blue
✓	Y71243201FP	K5V 1 CL 4 3 T	Gold	THT 3.5mm Thru-hole	4.0 ± 1.0	25,000	1.2 ± 0.3	No LED
✓	Y71243241FP	K5V 1 GN 4 3 T	Gold	THT 3.5mm Thru-hole	4.0 ± 1.0	25,000	1.2 ± 0.3	Green
✓	Y71243271FP	K5V 1 RG 4 3 T	Gold	THT 3.5mm Thru-hole	4.0 ± 1.0	25,000	1.2 ± 0.3	Red-Green
✓	Y71243521FP	K5V 1 YG 4 3 S	Gold	THT 2.1mm Thru-hole	4.0 ± 1.0	25,000	1.2 ± 0.3	Yellow-Green
✓	Y71243221FP	K5V 1 YG 4 3 T	Gold	THT 3.5mm Thru-hole	4.0 ± 1.0	25,000	1.2 ± 0.3	Yellow-Green
✓	Y71243251FP	K5V 1 RD 4 3 T	Gold	THT 3.5mm Thru-hole	4.0 ± 1.0	25,000	1.2 ± 0.3	Red

Reflow Soldering

Supply Status	Littelfuse Orderable Part Number	Description	Contact & Terminals Plating	Terminals	Operating Force Fa (Newtons)	Operating Life (operations)	Electrical Travel (mm)	LED Color
✓	Y714431C1FPH	K5V 4 BA 4 3 G H	Gold	Gull Wing	4.0 ± 1.0	25,000	1.2 ± 0.3	Blue-Amber
✓	G01686693	K5V 4 BA 4 3 S	Gold	PIP 2.1mm	4.0 ± 1.0	25,000	1.2 ± 0.3	Blue-Amber
✓	Y714435C0FP	K5V 4 BA 4 3 S P3	Gold	PIP 2.1mm, P3 cut	4.0 ± 1.0	25,000	1.2 ± 0.3	Blue-Amber
✓	G01686692	K5V 4 BU 4 3 G H	Gold	Gull Wing	4.0 ± 1.0	25,000	1.2 ± 0.3	Blue
✓	G01686694	K5V 4 BU 4 3 S	Gold	PIP 2.1mm	4.0 ± 1.0	25,000	1.2 ± 0.3	Blue
✓	Y71443530FP	K5V 4 BU 4 3 S P3	Gold	PIP 2.1mm, P3 cut	4.0 ± 1.0	25,000	1.2 ± 0.3	Blue
✓	G01650684	K5V 4 GN 4 3 G H	Gold	Gull Wing	4.0 ± 1.0	25,000	1.2 ± 0.3	Green
✓	Y71443121FPH	K5V 4 YG 4 3 G H	Gold	Gull Wing	4.0 ± 1.0	25,000	1.2 ± 0.3	Yellow-Green
✓	Y71443520FP	K5V 4 YG 4 3 S P3	Gold	PIP 2.1mm, P3 cut	4.0 ± 1.0	25,000	1.2 ± 0.3	Yellow-Green

Notes:
Supply status: ✓ : Available for ordering.

Disclaimer Notice - Information furnished is believed to be accurate and reliable. However, users should independently evaluate the suitability of and test each product selected for their own applications. Littelfuse products are not designed for, and may not be used in, all applications. Read complete Disclaimer Notice at <http://www.littelfuse.com/disclaimer-electronics>.