

KMR6 Series

Micro Miniature Tactile Switch for SMT
4.6 x 2.8 mm, with 1.9 mm Height Actuator



Specifications

Function	Momentary action
Contact Arrangement	1 make contact = SPST, N.O.
Terminals	Gullwing type for SMT
Sealing	IP67

Electrical Characteristics

	Silver	Gold
Max. Power	1 VA	0.2 VA
Max. Voltage	32 VDC	32 VDC
Min. Voltage	20 mVDC	20 mVDC
Max. Current	50 mA	10 mA
Min. Current	1 mA ¹	1 mA ¹
Dielectric Strength	≥ 250 Vrms	
Contact Resistance	≤ 100 mΩ	
Insulation Resistance	≥ 1 GΩ	
Bounce Time	≤ 3 ms	

Environmental Characteristics

Operating Temperature	-40°C to 85°C	-40°C to 125°C
Storage Temperature	-55°C to 85°C	-55°C to 125°C

Process

Soldering	Lead free reflow soldering process in accordance with IEC 61760-1.
------------------	--

Notes:

- For ULC version minimum current is 1µA at 1.8 VDC
- Specifications listed above are for switches with standard options. For information on specific and custom switches, consult Customer Service Center.

Description

The KMR6 series microminiature SMT top actuated switch is IP67 rated with ultra-low current capabilities. Its long-life and excellent tactile feel make it ideal for industrial, medical and automotive applications that need to dependably operate under the harshest of conditions.

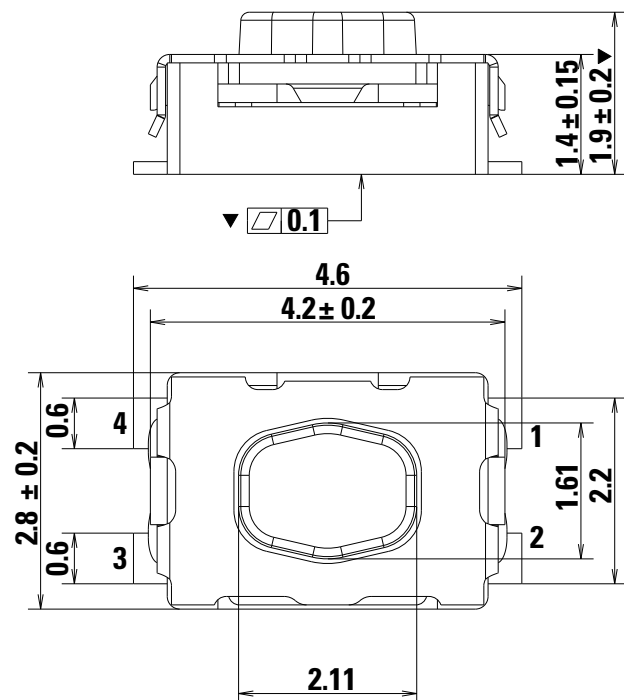
Features & Benefits

- Watertight IP67
- Standard and long life versions
- No ground pin
- Ultra low current capabilities
- Excellent tactile feel

Applications

- Transportation
- Medical
- Consumer
- Industrial

NG - No Ground Pin



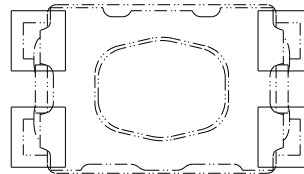
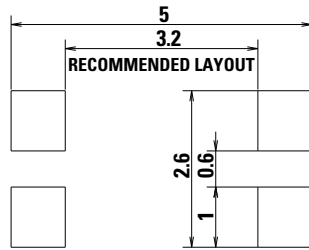
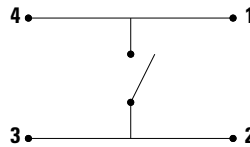
KMR6 Series

Micro Miniature Tactile Switch for SMT
4.6 x 2.8 mm, with 1.9 mm Height Actuator

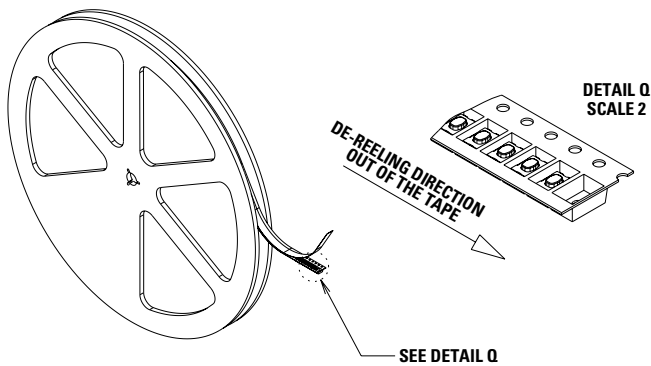


NG - No Ground Pin

ELECTRICAL DIAGRAM



Tape & Reel

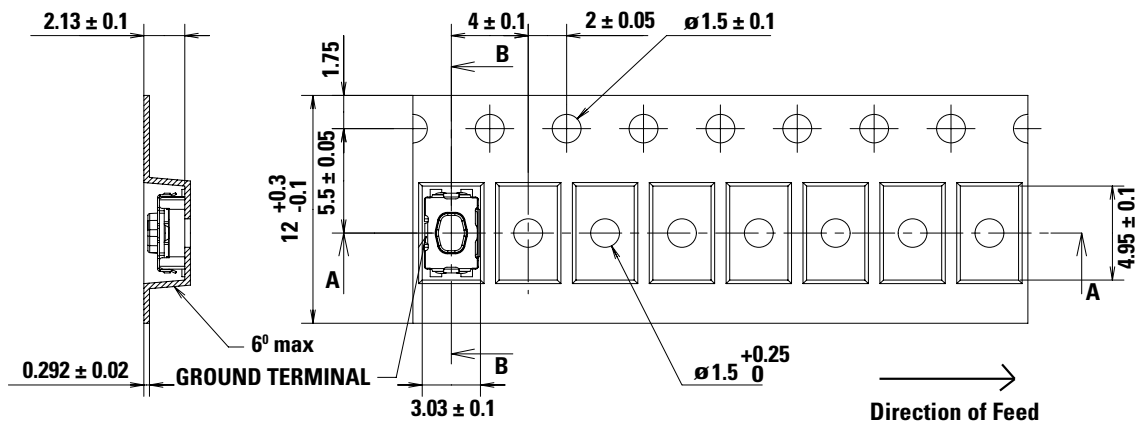
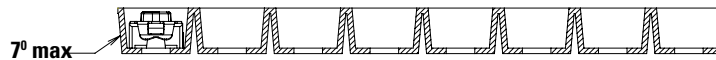


Packaging Details

Type	Tape & reel
Number of Parts in Packaging	7,000
Other Information	Tape and reel per EIA 481, External diameter 330 mm ± 2mm
Transport Conditions	According to specification NF H00-060

Tape & Reel

DE-REELING DIRECTION OUT OF THE TAPE SECTION A-A



KMR6 Series

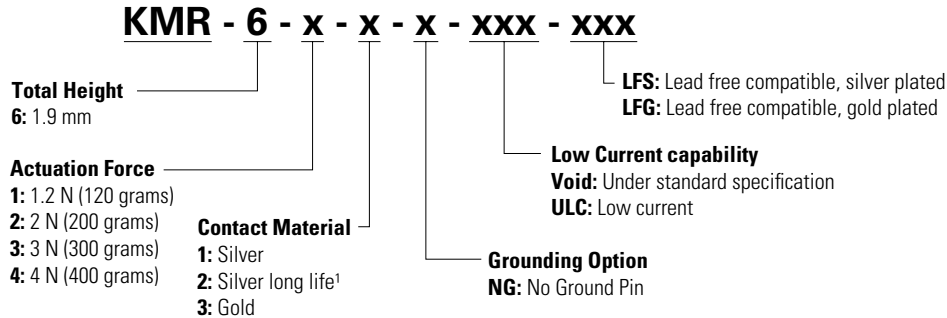
Micro Miniature Tactile Switch for SMT

4.6 x 2.8 mm, with 1.9 mm Height Actuator



Ordering Number

For any part number different from those listed above, please consult your local representative.



Notes:

1. Silver long life is available in 3N and 4N actuation force. For other versions, please contact Customer Service.

Mechanical Characteristics

Supply status	Littelfuse Orderable Part Number	Description	Contact & Terminals Plating	Ground Pin	Operating Force Fa (Newton)	Tactile ratio (Min)	Operating Life (operations)	Electrical Travel (mm)
✓	Y78B61120FP	KMR611NG LFS	Silver	No	1.2±0.3	Min 20%	200,000	0.2±0.1
ORO	Y78B61124FP	KMR611NG ULC LFS	Silver	No	1.2±0.3	Min 20%	200,000	0.2±0.1
ORO	Y78B61320FP	KMR613NG LFG	Gold	No	1.2±0.3	Min 20%	200,000	0.2±0.1
ORO	Y78B61324FP	KMR613NG ULC LFG	Gold	No	1.2±0.3	Min 20%	200,000	0.2±0.1
✓	Y78B62120FP	KMR621NG LFS	Silver	No	2±0.5	Min 30%	200,000	0.25±0.1
✓	Y78B62124FP	KMR621NG ULC LFS	Silver	No	2±0.5	Min 30%	200,000	0.25±0.1
✓	Y78B62320FP	KMR623NG LFG	Gold	No	2±0.5	Min 30%	200,000	0.25±0.1
✓	Y78B62324FP	KMR623NG ULC LFG	Gold	No	2±0.5	Min 30%	200,000	0.25±0.1
✓	Y78B63120FP	KMR631NG LFS	Silver	No	3±0.75	Min 30%	150,000	0.25±0.1
✓	Y78B63124FP	KMR631NG ULC LFS	Silver	No	3±0.75	Min 30%	150,000	0.25±0.1
ORO	Y78B63220FP	KMR632NG LFS	Silver	No	3±0.75	Min 30%	300,000	0.25±0.1
✓	Y78B63224FP	KMR632NG ULC LFS	Silver	No	3±0.75	Min 30%	300,000	0.25±0.1
✓	Y78B63320FP	KMR633NG LFG	Gold	No	3±0.75	Min 30%	150,000	0.25±0.1
✓	Y78B63324FP	KMR633NG ULC LFG	Gold	No	3±0.75	Min 30%	150,000	0.25±0.1
✓	Y78B64120FP	KMR641NG LFS	Silver	No	4±1	Min 30%	100,000	0.3±0.1
✓	Y78B64124FP	KMR641NG ULC LFS	Silver	No	4±1	Min 30%	100,000	0.3±0.1
✓	Y78B64220FP	KMR642NG LFS	Silver	No	4±1	Min 30%	200,000	0.3±0.1
✓	Y78B64224FP	KMR642NG ULC LFS	Silver	No	4±1	Min 30%	200,000	0.3±0.1
ORO	Y78B64320FP	KMR643NG LFG	Gold	No	4±1	Min 30%	100,000	0.3±0.1
✓	Y78B64324FP	KMR643NG ULC LFG	Gold	No	4±1	Min 30%	100,000	0.3±0.1

Notes: Supply status: ✓ : Available for ordering;

ORO : Available On Request Only. Please contact your Littelfuse representative for details.

Liability Limitation

This datasheet does not provide enough information for applications that require a certain level of quality or safety such as automotive, medical systems, or safety equipment. Please contact customer service for the contractual specification package.

Disclaimer Notice - Information furnished is believed to be accurate and reliable. However, users should independently evaluate the suitability of and test each product selected for their own applications. Littelfuse products are not designed for, and may not be used in, all applications. Read complete Disclaimer Notice at <http://www.littelfuse.com/disclaimer-electronics>.