

# KMR7 Series

## Micro Miniature Tactile Switch for SMT

### 4.6 x 2.8 mm, with 2.5 mm Height Actuator



## Description

The long-lasting KMR7 series microminiature SMT top actuated switch is ideal for industrial, medical and automotive applications which have to be sturdy enough to survive both regular use and continued exposure to the elements. The KMR7 has an excellent tactile feel and is an IP67 rated switch with ultra-low current capabilities.

## Features & Benefits

- Watertight IP67
- Standard and long life versions
- No ground pin
- Ultra low current capabilities
- Excellent tactile feel

## Applications

- Transportation
- Medical
- Consumer
- Industrial

## Specifications

<b>Function</b>	Momentary action
<b>Contact Arrangement</b>	1 make contact = SPST, N.O.
<b>Terminals</b>	Gullwing type for SMT
<b>Sealing</b>	IP67

## Electrical Characteristics

	Silver	Gold
<b>Max. Power</b>	1 VA	0.2 VA
<b>Max. Voltage</b>	32 VDC	32 VDC
<b>Min. Voltage</b>	20 mVDC	20 mVDC
<b>Max. Current</b>	50 mA	10 mA
<b>Min. Current</b>	1 mA <sup>1</sup>	1 mA <sup>1</sup>
<b>Dielectric Strength</b>	≥ 250 Vrms	
<b>Contact Resistance</b>	≤ 100 mΩ	
<b>Insulation Resistance</b>	≥ 1 GΩ	
<b>Bounce Time</b>	≤ 3 ms	

## Environmental Characteristics

<b>Operating Temperature</b>	-40°C to 85°C	-40°C to 125°C
<b>Storage Temperature</b>	-55°C to 85°C	-55°C to 125°C

## Process

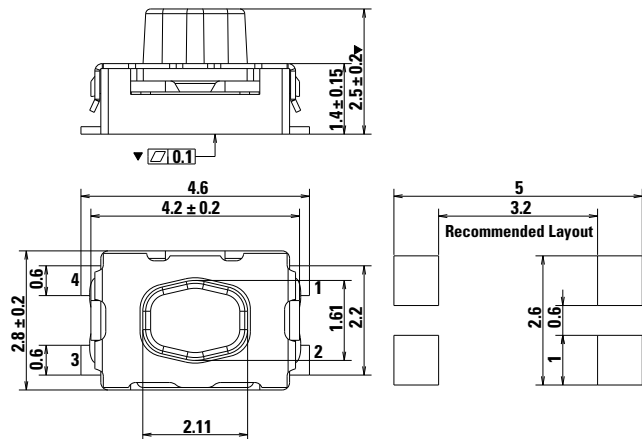
<b>Soldering</b>	Lead free reflow soldering process in accordance with IEC 61760-1.
------------------	--

### Notes:

1. For ULC version minimum current is 1µA at 1.8 VDC
2. Specifications listed above are for switches with standard options. For information on specific and custom switches, consult Customer Service Center.

## Dimensions (mm)

### NG - No Ground Pin



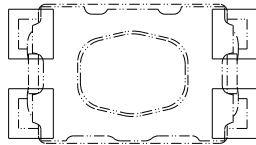
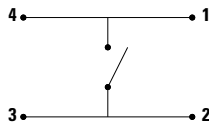
# KMR7 Series

Micro Miniature Tactile Switch for SMT  
4.6 x 2.8 mm, with 2.5 mm Height Actuator

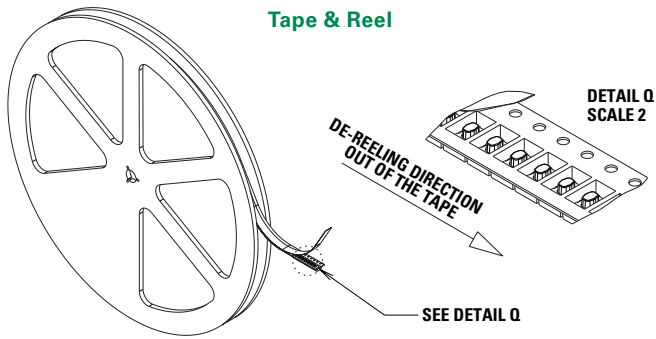


**NG - No Ground Pin Terminations**

Electrical Diagram



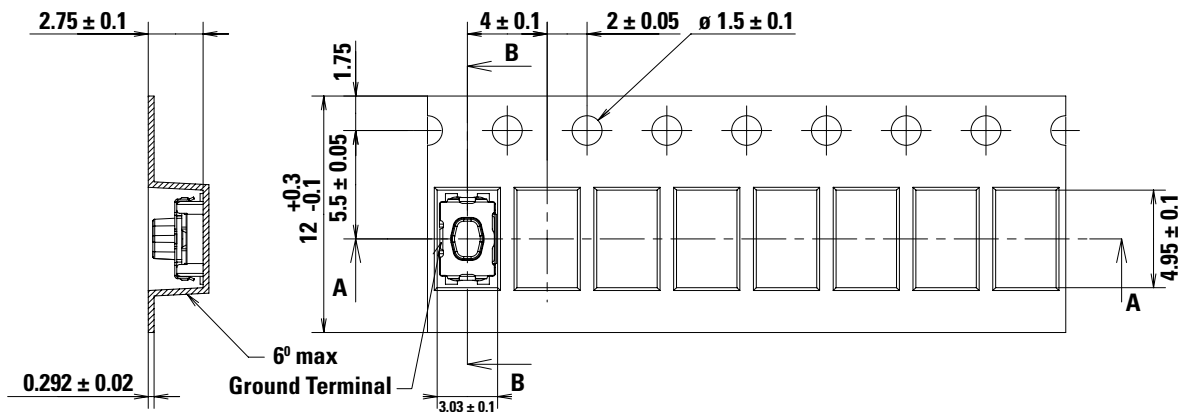
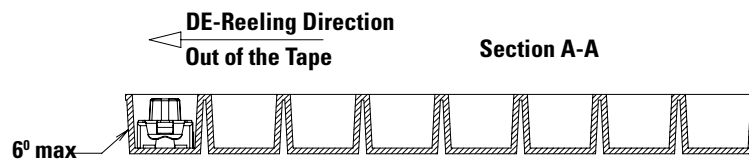
**Tape & Reel**



**Packaging Details**

Type	Tape & reel
Number of Parts in Packaging	6,000
Other information	Tape and reel per EIA 481, External diameter 330 mm ± 2mm
Transport Conditions	According to specification NF H00-060

**Tape & Reel**



# KMR7 Series

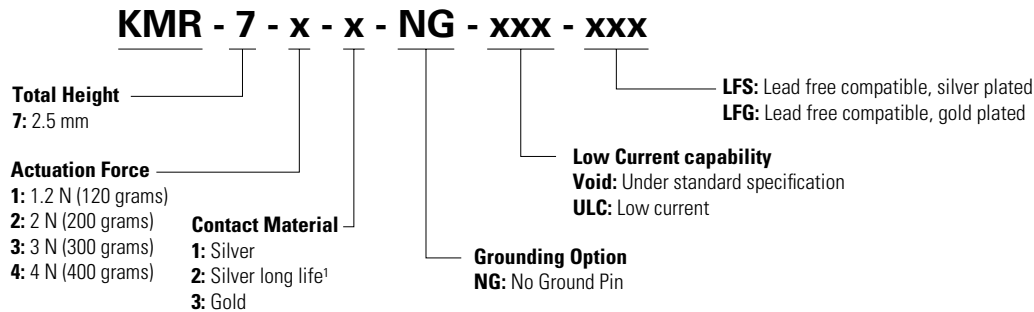
## Micro Miniature Tactile Switch for SMT

### 4.6 x 2.8 mm, with 2.5 mm Height Actuator



### Ordering Number

For any part number different from those listed above, please consult your local representative.



#### Notes:

1. Silver long life is available in 3N and 4N actuation force. For other versions, please contact Customer Service.

### Mechanical Characteristics

Supply Status	LITTELFUSE Orderable Part Number	Description	Contact & Terminals Plating	Ground Pin	Operating Force Fa (Newtons)	Tactile ratio (Min)	Operating Life (operations)	Electrical Travel (mm)
ORO	Y78B71120FP	KMR711NG LFS	Silver	No	1.2±0.3	Min 20%	100,000	0.2±0.1
✓	Y78B71124FP	KMR711NG ULC LFS	Silver	No	1.2±0.3	Min 20%	100,000	0.2±0.1
✓	Y78B72120FP	KMR721NG LFS	Silver	No	2±0.5	Min 25%	100,000	0.25±0.1
✓	Y78B72124FP	KMR721NG ULC LFS	Silver	No	2±0.5	Min 25%	100,000	0.25±0.1
✓	Y78B72320FP	KMR723NG LFG	Gold	No	2±0.5	Min 25%	100,000	0.25±0.1
✓	Y78B72324FP	KMR723NG ULC LFG	Gold	No	2±0.5	Min 25%	100,000	0.25±0.1
✓	Y78B73120FP	KMR731NG LFS	Silver	No	3±0.75	Min 25%	100,000	0.3±0.1
✓	Y78B73124FP	KMR731NG ULC LFS	Silver	No	3±0.75	Min 25%	100,000	0.3±0.1
✓	Y78B73220FP	KMR732NG LFS	Silver	No	3±0.75	Min 25%	300,000	0.3±0.1
✓	Y78B73224FP	KMR732NG ULC LFS	Silver	No	3±0.75	Min 25%	300,000	0.3±0.1
✓	Y78B73320FP	KMR733NG LFG	Gold	No	3±0.75	Min 25%	100,000	0.3±0.1
✓	Y78B73324FP	KMR733NG ULC LFG	Gold	No	3±0.75	Min 25%	100,000	0.3±0.1
✓	Y78B74120FP	KMR741NG LFS	Silver	No	4±1	Min 25%	100,000	0.35±0.1
✓	Y78B74124FP	KMR741NG ULC LFS	Silver	No	4±1	Min 25%	100,000	0.35±0.1
✓	Y78B74220FP	KMR742NG LFS	Silver	No	4±1	Min 25%	200,000	0.35±0.1
ORO	Y78B74224FP	KMR742NG ULC LFS	Silver	No	4±1	Min 25%	200,000	0.35±0.1
ORO	Y78B74320FP	KMR743NG LFG	Gold	No	4±1	Min 25%	100,000	0.35±0.1
✓	Y78B74324FP	KMR743NG ULC LFG	Gold	No	4±1	Min 25%	100,000	0.35±0.1

Notes: Supply status: ✓ Available for ordering;

ORO: Available On Request Only. Please contact your Littelfuse representative for details.

### Liability Limitation

This datasheet does not provide enough information for applications that require a certain level of quality or safety such as automotive, medical systems, or safety equipment. Please contact customer service for the contractual specification package.

**Disclaimer Notice** - Information furnished is believed to be accurate and reliable. However, users should independently evaluate the suitability of and test each product selected for their own applications. Littelfuse products are not designed for, and may not be used in, all applications. Read complete Disclaimer Notice at <http://www.littelfuse.com/disclaimer-electronics>.