

# KSC1 Series

## Sealed Tactile Switch for SMT 6.2 x 6.2 mm, without Actuator



### Description

The KSC1 Series Sealed Tact Switch for SMT is a 2.5mm high switch, designed to give users a positive tactile feeling when used. Perfect for industrial electronics, consumer products, instrumentation or automotive applications, the KSC1 Series is IP67 rated and built to be highly responsive and long-lasting, even when used in the harshest of environments.

### Features & Benefits

- Without actuator, product height 2.5 mm
- Positive tactile feeling
- IP67

### Applications

- Industrial electronics
- Consumer products
- Instrumentation
- Transportation

### Specifications

<b>Packaging</b>	Switches delivered on continuous tape & reels of 2,000 pieces Dimensions according to EIA RS-481/IEC 60286-3 standard External diameter 330 ± 2 mm
------------------	--

**Note:** Specifications listed above are for switches with standard options. For information on specific and custom switches, consult Customer Service Center.

### Electrical Characteristics

<b>Dielectric Strength (50 Hz, 1 min.)</b>	≥ 250 Vrms	
<b>Contact Resistance</b>	≤ 100mΩ	
<b>Insulation Resistance (100 V)</b>	≥ 1000 M Ω	
<b>Bounce Time</b>	≤ 1 ms	
	<b>Silver</b>	<b>Gold</b>
<b>Maximum Power</b>	1 VA	0.2 VA
<b>Maximum Voltage</b>	32 VDC	32 VDC
<b>Minimum Voltage</b>	20 mV	20 mV
<b>Maximum Current</b>	50 mA	10 mA
<b>Minimum Current</b>	1 mA <sup>1</sup>	0.1 mA

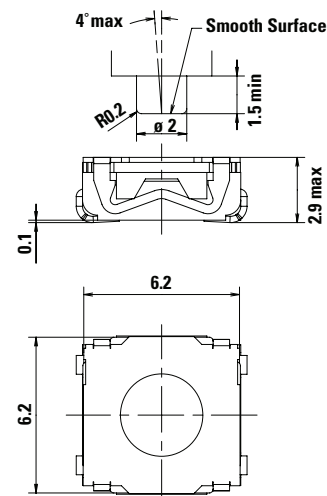
**Note:**

1. Ultra low current with 10 µA - 1 VDC version is available upon request

### Environmental Characteristics

	<b>Silver</b>	<b>Gold</b>
<b>Operating Temperature</b>	-40°C to 85°C	-40°C to 125°C
<b>Storage Temperature</b>	-55°C to 85°C	-55°C to 125°C

### Dimensions (mm)



# KSC1 Series

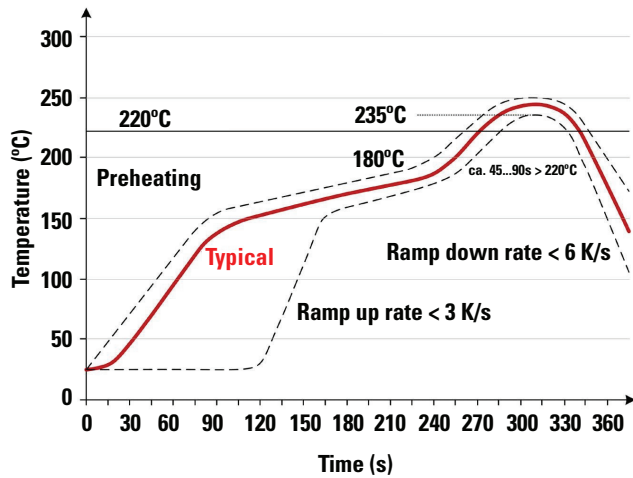
Sealed Tactile Switch for SMT 6.2 x 6.2 mm,  
without Actuator



### Mechanical Characteristics

Part #	Operating Force FA (Newtons)	Operating Life (operations)	Travel (mm)
KSC121	1.8 ± 0.65	200,000	0.3 ± 0.15
KSC141	3 ± 0.75		
KSC151	5.5 ± 1.4	100,000	0.35 ± 0.15

### Soldering Profile

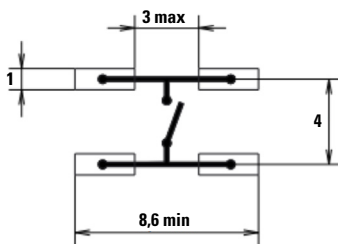


Note: Up to 2 reflow cycles in accordance with the above temperature profile

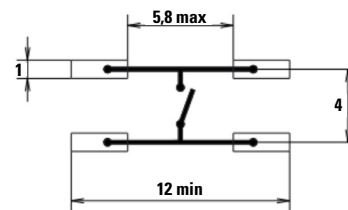
Soldering process: Depending on the application, this component is suited to the following methods:

- Terminals being silver or gold plated over a nickel barrier, the use of slightly activated flux is suitable.
- Lead free soldering process in accordance with the definition on the left.

### J Terminations (mm)

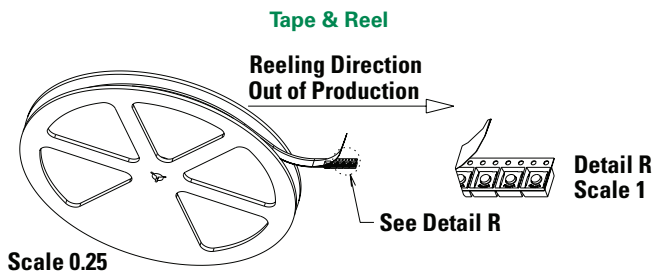


### G Terminations (mm)



# KSC1 Series

Sealed Tactile Switch for SMT 6.2 x 6.2 mm,  
without Actuator

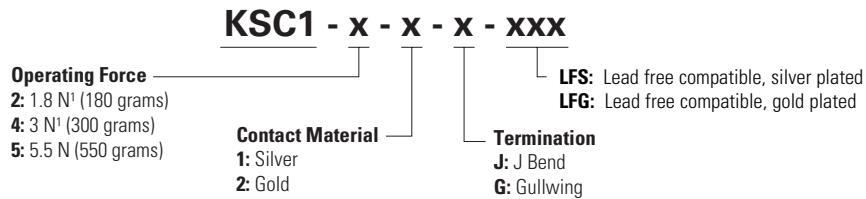


### Packaging Details

Type	Tape & reel
Number of Parts in Packaging	2,000
Other Information	Tape and reel per EIA 481
Transport Conditions	According to specification NF H00-060

### Ordering Number

Our easy build-a-switch concept allows you to mix and match options to create the switch you need. To order, select desired option from each category and place it in the appropriate box. However, please note that all the combinations of these options are not feasible. For any part number different from those listed above, please consult your local representative.



**Note:** See mechanical chart above to confirm specifications

### Liability Limitation

This datasheet does not provide enough information for applications that require a certain level of quality or safety such as automotive, medical systems, or safety equipment. Please contact customer service for the contractual specification package.

**Disclaimer Notice** - Information furnished is believed to be accurate and reliable. However, users should independently evaluate the suitability of and test each product selected for their own applications. Littelfuse products are not designed for, and may not be used in, all applications. Read complete Disclaimer Notice at <http://www.littelfuse.com/disclaimer-electronics>.