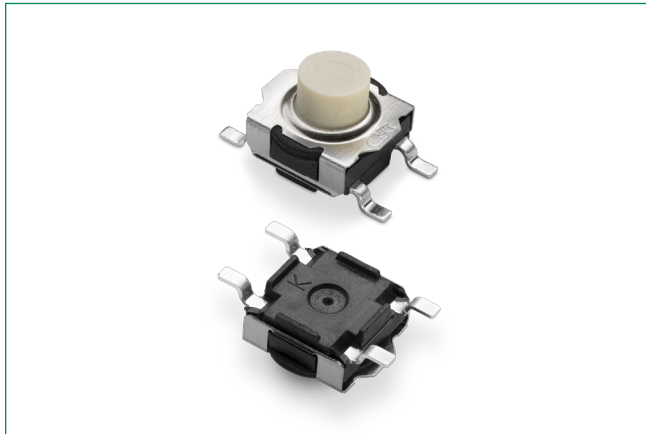


KT Series

Full SMT Top & Side Actuated Sealed Tactile Switch



Description

The KT series full SMT top and side actuated sealed tactile switch has a high shear force with an extended bracket that gives it a long operating life. This feature, along with the KT's G or J terminations, makes it ideal for computer, instrumentation and power supply applications.

Features & Benefits

- Full SMT side-actuated tactile switch
- SMT top-actuated tactile switch with G or J terminations
- High shear force with extended bracket
- Easy to pick & place with top plate tab
- Rubber or hard plastic actuator
- Press fit or snap fit caps
- RoHS compliant and compatible

Applications

- Telecommunications
- Computer products
- Instrumentation
- Power supply

Specifications

Contact Arrangement	SPST, N.O.
Terminals	SMT termination
Packaging	Switches supplied in anti-static tape and reels per EIA 481-2. Tape and cover strip are conductive for use near statically sensitive components.

Electrical Characteristics

Contact Rating	1.0 VA max. @ 32 V AC or DC max.
Electrical & Mechanical Life	100,000 make-and-break cycles at full load.
Dielectric Strength	250 Vrms min. @ sea level
Contact Resistance	Below 50 mΩ typ. initial @ 2-4 V DC, 100 mA.
Insulation Resistance	10 ⁹ Ω min.

Environmental Characteristics

	Silver	Gold
Operating Temperature	-40°C to 90°C	-40°C to 125°C

Process

Soldering	Per MIL-STD-202F method 208D, or EIA RS-186E method 9 (1 hour steam aging).
Degree of Protection	IP57; protection against harmful dust deposits, full-scale voltage protection.

Notes:

Specifications listed above are for switches with standard options. For information on specific and custom switches, consult Customer Service Center.

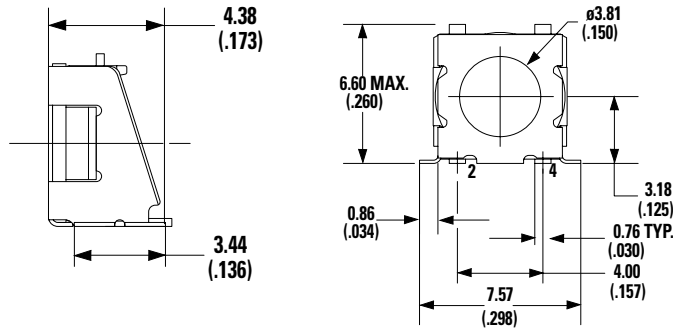
KT Series

Full SMT Top & Side Actuated Sealed Tactile Switch



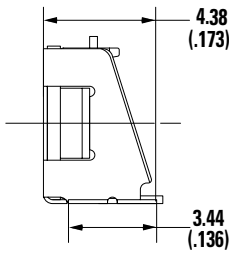
Series

KT11

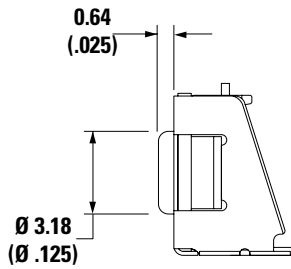


Actuator

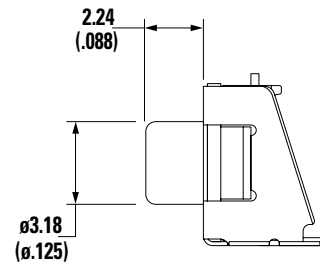
B0 Soft, Flush¹



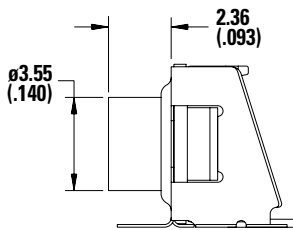
B1 Soft, 0.64mm¹



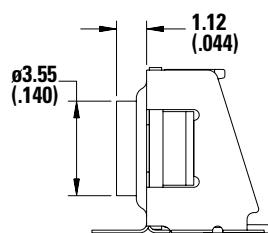
B2 Soft, 2.24mm¹



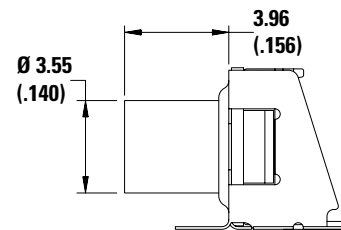
P2 Hard, 2.36mm



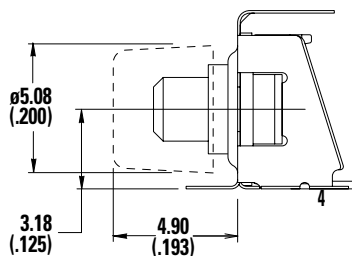
P3 Hard, 1.12mm



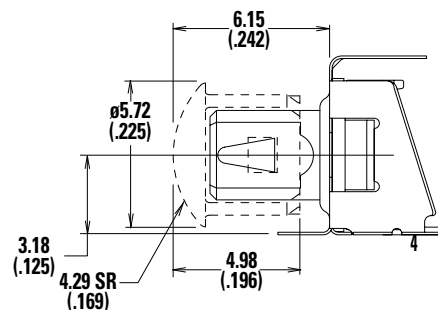
P4 Hard, 3.96mm²



S1 $\phi 0,1''$ For Press Fit Caps³



S2 $\phi 0,14''$ For Snap Fit Caps³



Notes:

- 1: B0, B1 & B2 available with A, A1 & A3 mounting bracket only.
- 2: P2, P3, P4 actuators suitable with A1 & A2 mounting bracket only.
- 3: S1 & S2 available with A1 & A2 mounting bracket only.
- 4: JM available with B0, B1, B2, P2, P3, P4 without mounting bracket.

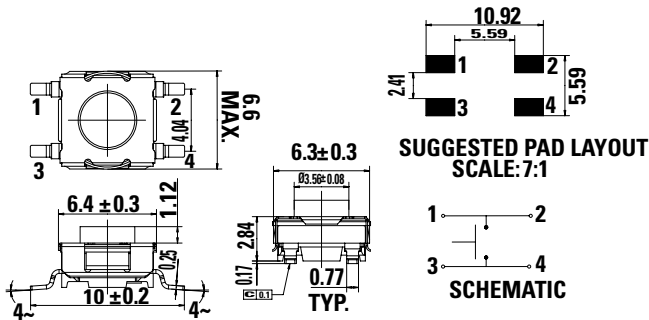
KT Series

Full SMT Top & Side Actuated Sealed Tactile Switch

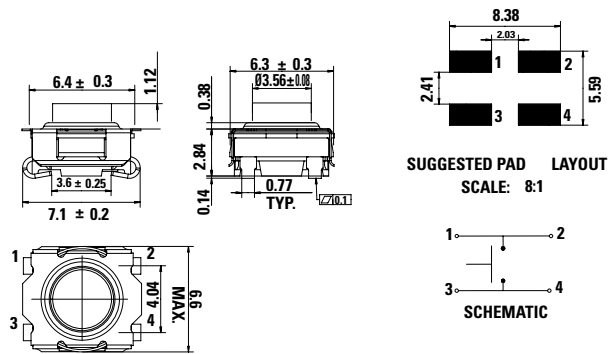


Orientation & Mounting Style

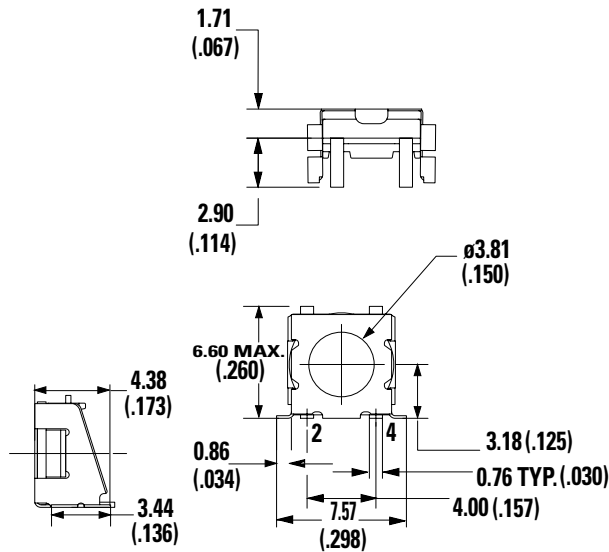
SM Top Gullwing



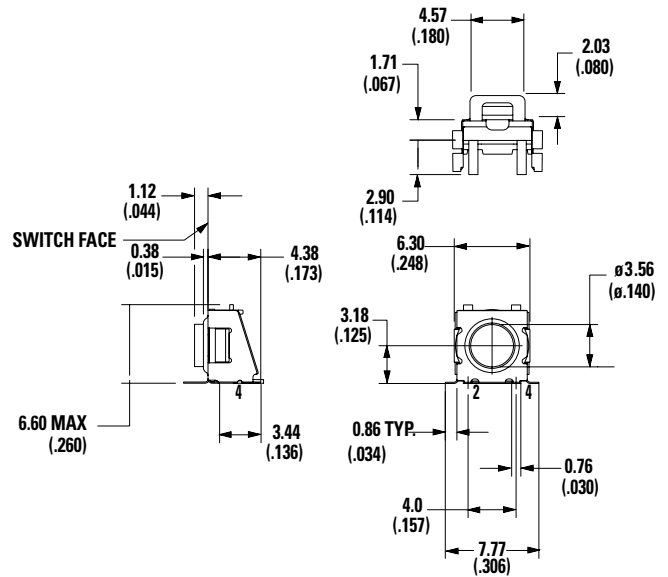
JM Top J Bend



SAM Right Angle



SA1M Right Angle with Front Solder Pad

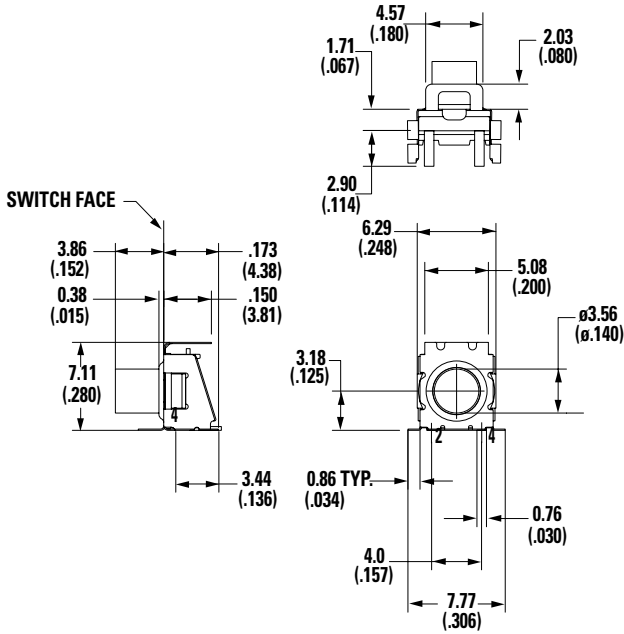


KT Series

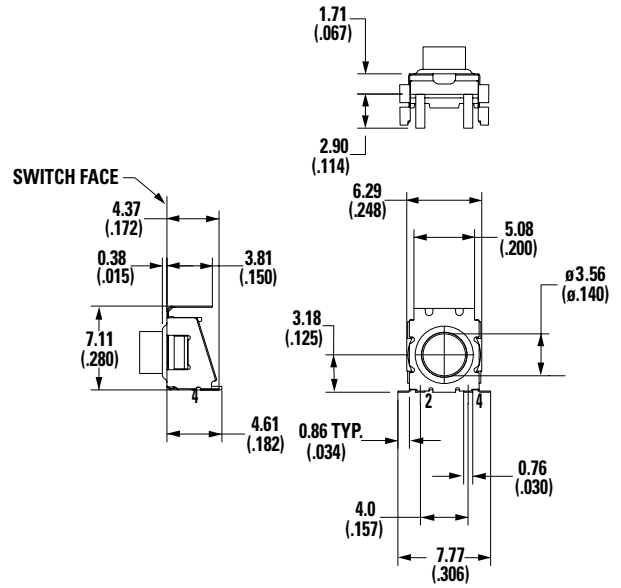
Full SMT Top & Side Actuated Sealed Tactile Switch



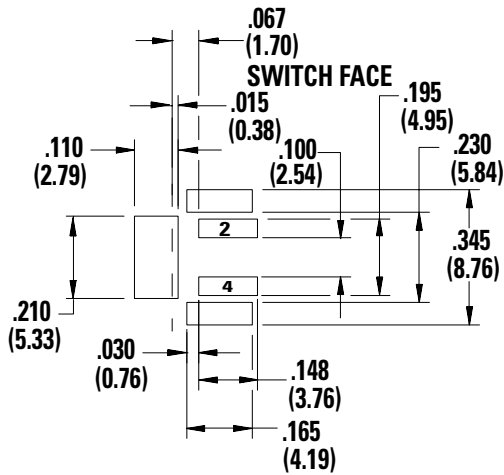
SA2M Right Angle with Front Solder Pad and Pick & Place Tab



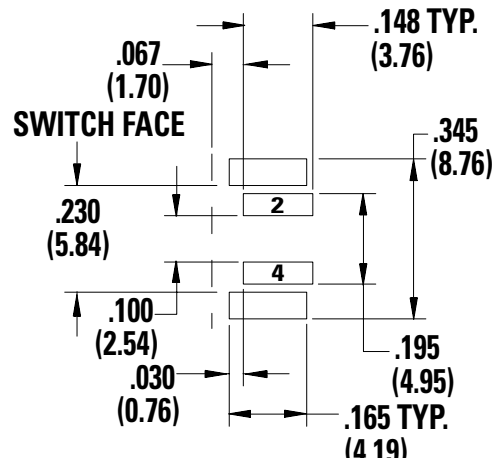
SA3M Right Angle with Pick & Place Tab



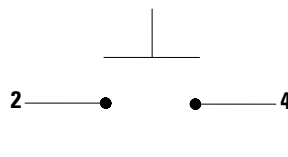
Pad Layout SA1M & SA2M Mounting Bracket



Pad Layout SAM & SA3M Mounting Bracket



Schematic



KT Series

Full SMT Top & Side Actuated Sealed Tactile Switch

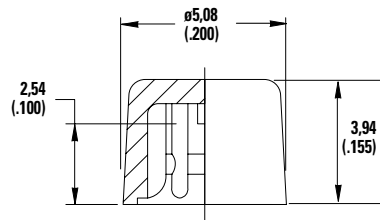


Button

02 Press Fit

Part Number	Internal Part Number	Button Color
BTN KT11 02 80	5081 01000	Ivory (Natural)
BTN KT11 02 90	5081 02000	Black
BTN KT11 02 40	5081 03000	Red

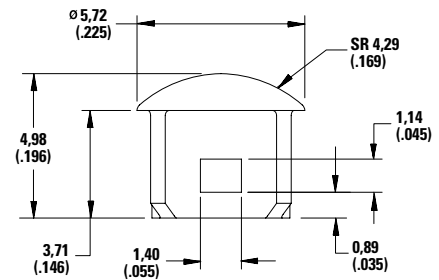
Materials: Nylon
Finish: Gloss



03 Snap Fit, High Temperature

Part Number	Internal Part Number	Button Color
BTN KT11 03 80	685B01000	Ivory (Natural)
BTN KT11 03 90	685B02000	Black

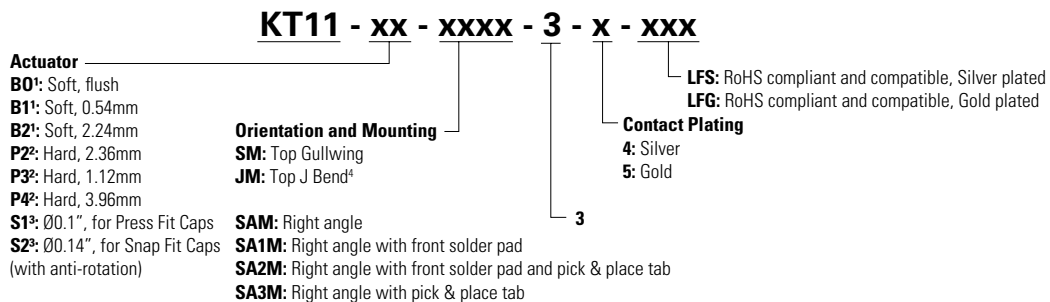
Materials: Nylon
Finish: Gloss



Ordering Number

Our easy build-a-switch concept allows you to mix and match options to create the switch you need. To order, select desired option from each category and place it in the appropriate box. For any part number different from those listed above, please consult your local representative.

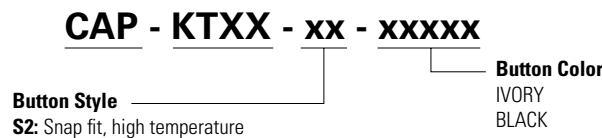
Switch



Notes

- B0, B1 & B2 available with A, A1 & A3 mounting bracket only.
- P2, P3, P4 actuators suitable with A1 & A2 mounting bracket only.
- S1 & S2 available with A1 & A2 mounting bracket only.
- JM available with B0, B1, B2, P2, P3, P4 without mounting bracket.

Button - To order buttons in bulk



Disclaimer Notice - Information furnished is believed to be accurate and reliable. However, users should independently evaluate the suitability of and test each product selected for their own applications. Littelfuse products are not designed for, and may not be used in, all applications. Read complete Disclaimer Notice at <http://www.littelfuse.com/disclaimer-electronics>.

KT Series

Full SMT Top & Side Actuated Sealed Tactile Switch



Mechanical Characteristics

Right Angle

Supply Status	LITTELFUSE Orderable Part Number	Description	Contact & Terminals Plating	Operating Force Fa (Newtons)	Operating Life (operations)	Electrical Travel (mm)	Orientation & Mounting	Actuator Type
✓	YT1025550FPLFS	KT11B1SA1M34LFS	Silver	2.4±0.48	100,000	0.3±0.1	With front solder pad	Soft, 0.54mm
✓	YT1025570FPLFS	KT11B1SA3M34LFS	Silver	2.4±0.48	100,000	0.3±0.1	With pick & place tab	Soft, 0.54mm
✓	YT1025540FPLFS	KT11B1SAM34LFS	Silver	2.4±0.48	100,000	0.3±0.1	Standard	Soft, 0.54mm
✓	YT1026740FPLFG	KT11B1SAM35LFG	Gold	2.4±0.48	100,000	0.3±0.1	Standard	Soft, 0.54mm
✓	YT1036770FPLFG	KT11B2SA3M35 LFG	Gold	2.4±0.48	100,000	0.3±0.1	With pick & place tab	Soft, 2.24mm
✓	YT1035540FPLFS	KT11B2SAM34LFS	Silver	2.4±0.48	100,000	0.3±0.1	Standard	Soft, 2.24mm
✓	YT1036740FPLFG	KT11B2SAM35LFG	Gold	2.4±0.48	100,000	0.3±0.1	Standard	Soft, 2.24mm
✓	YT1043550FPLFS	KT11P2SA1M34LFS	Silver	2.4±0.48	100,000	0.3±0.1	With front solder pad	Hard, 2.36mm
✓	YT1044750FPLFG	KT11P2SA1M35LFG	Gold	2.4±0.48	100,000	0.3±0.1	With front solder pad	Hard, 2.36mm
✓	YT1043560FPLFS	KT11P2SA2M34LFS	Silver	2.4±0.48	100,000	0.3±0.1	With front solder pad, pick & place tab	Hard, 2.36mm
✓	YT1044760FPLFG	KT11P2SA2M35LFG	Gold	2.4±0.48	100,000	0.3±0.1	With front solder pad, pick & place tab	Hard, 2.36mm
✓	YT1043570FPLFS	KT11P2SA3M34LFS	Silver	2.4±0.48	100,000	0.3±0.1	With pick & place tab	Hard, 2.36mm
✓	YT1044770FPLFG	KT11P2SA3M35LFG	Gold	2.4±0.48	100,000	0.3±0.1	With pick & place tab	Hard, 2.36mm
✓	YT1053550FPLFS	KT11P3SA1M34LFS	Silver	2.4±0.48	100,000	0.3±0.1	With front solder pad	Hard, 1.12mm
✓	YT1053560FPLFS	KT11P3SA2M34LFS	Silver	2.4±0.48	100,000	0.3±0.1	With front solder pad, pick & place tab	Hard, 1.12mm
✓	YT1054760FPLFG	KT11P3SA2M35LFG	Gold	2.4±0.48	100,000	0.3±0.1	With front solder pad, pick & place tab	Hard, 1.12mm
✓	YT1053570FPLFS	KT11P3SA3M34LFS	Silver	2.4±0.48	100,000	0.3±0.1	With pick & place tab	Hard, 1.12mm
✓	YT1054770FPLFG	KT11P3SA3M35LFG	Gold	2.4±0.48	100,000	0.3±0.1	With pick & place tab	Hard, 1.12mm
✓	YT1063550FPLFS	KT11P4SA1M34LFS	Silver	2.4±0.48	100,000	0.3±0.1	With front solder pad	Hard, 3.96mm
✓	YT1064750FPLFG	KT11P4SA1M35LFG	Gold	2.4±0.48	100,000	0.3±0.1	With front solder pad	Hard, 3.96mm
✓	YT1063560FPLFS	KT11P4SA2M34LFS	Silver	2.4±0.48	100,000	0.3±0.1	With front solder pad, pick & place tab	Hard, 3.96mm
✓	YT1064760FPLFG	KT11P4SA2M35LFG	Gold	2.4±0.48	100,000	0.3±0.1	With front solder pad, pick & place tab	Hard, 3.96mm
✓	YT1073550FPLFS	KT11S1SA1M34LFS	Silver	2.4±0.48	100,000	0.3±0.1	With front solder pad	Ø0.1", for Press Fit Caps
✓	YT1073560FPLFS	KT11S1SA2M34LFS	Silver	2.4±0.48	100,000	0.3±0.1	With front solder pad, pick & place tab	Ø0.1", for Press Fit Caps
✓	YT1074760FPLFG	KT11S1SA2M35LFG	Gold	2.4±0.48	100,000	0.3±0.1	With front solder pad, pick & place tab	Ø0.1", for Press Fit Caps
✓	YT1073570FPLFS	KT11S1SA3M34LFS	Silver	2.4±0.48	100,000	0.3±0.1	With pick & place tab	Ø0.1", for Press Fit Caps
✓	YT1083560FPLFS	KT11S2SA2M34LFS	Silver	2.4±0.48	100,000	0.3±0.1	With front solder pad, pick & place tab	Ø0.14", for Snap Fit Caps (with anti-rotation)
✓	YT1084760FPLFG	KT11S2SA2M35LFG	Gold	2.4±0.48	100,000	0.3±0.1	With front solder pad, pick & place tab	Ø0.14", for Snap Fit Caps (with anti-rotation)

KT Series

Full SMT Top & Side Actuated Sealed Tactile Switch



Top Operated

Supply Status	LITTELFUSE Orderable Part Number	Description	Contact & Terminals Plating	Operating Force Fa (Newtons)	Operating Life (operations)	Electrical Travel (mm)	Orientation & Mounting	Actuator Type
✓	YT1015520FPLFS	KT11B0SM34LFS	Silver	2.4±0.48	100,000	0.3±0.1	Top Gullwing	Soft, flush
✓	YT1025520FPLFS	KT11B1SM34LFS	Silver	2.4±0.48	100,000	0.3±0.1	Top Gullwing	Soft, 0.54mm
✓	YT1035520FPLFS	KT11B2SM34LFS	Silver	2.4±0.48	100,000	0.3±0.1	Top Gullwing	Soft, 2.24mm
✓	YT1043520FPLFS	KT11P2SM34LFS	Silver	2.4±0.48	100,000	0.3±0.1	Top Gullwing	Hard, 2.36mm
✓	YT1053520FPLFS	KT11P3SM34LFS	Silver	2.4±0.48	100,000	0.3±0.1	Top Gullwing	Hard, 1.12mm
✓	YT1063520FPLFS	KT11P4SM34LFS	Silver	2.4±0.48	100,000	0.3±0.1	Top Gullwing	Hard, 3.96mm
✓	YT1015530FPLFS	KT11B0JM34LFS	Silver	2.4±0.48	100,000	0.3±0.1	Top J Bend	Soft, flush
✓	YT1025530FPLFS	KT11B1JM34LFS	Silver	2.4±0.48	100,000	0.3±0.1	Top J Bend	Soft, 0.54mm
✓	YT1026730FPLFG	KT11B1JM35LFG	Gold	2.4±0.48	100,000	0.3±0.1	Top J Bend	Soft, 0.54mm
✓	YT1035530FPLFS	KT11B2JM34LFS	Silver	2.4±0.48	100,000	0.3±0.1	Top J Bend	Soft, 2.24mm
✓	YT1043530FPLFS	KT11P2JM34LFS	Silver	2.4±0.48	100,000	0.3±0.1	Top J Bend	Hard, 2.36mm
✓	YT1053530FPLFS	KT11P3JM34LFS	Silver	2.4±0.48	100,000	0.3±0.1	Top J Bend	Hard, 1.12mm
✓	G01631448	KT11P3JM35 LFG	Gold	2.4±0.48	100,000	0.3±0.1	Top J Bend	Hard, 1.12mm
✓	YT1063530FPLFS	KT11P4JM34LFS	Silver	2.4±0.48	100,000	0.3±0.1	Top J Bend	Hard, 3.96mm

Caps

Supply Status	LITTELFUSE Orderable Part Number	Description	Color
✓	685B01000	CAP KTXS S2 OPTION- IVORY	Silver
✓	685B02000	CAP KTXS S2 OPTION-BLACK	Silver
✓	524D00000	CAP P/B KTXS.245x.100RD H*	Silver

Notes: Supply status: ✓ Available for ordering;