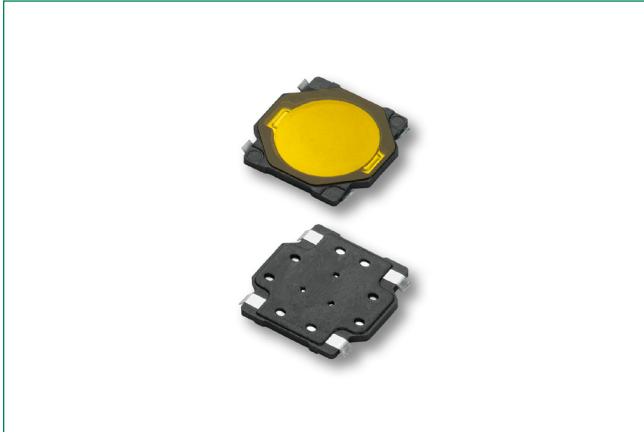


# PTS540 Series

## Ultra Low Profile SMT Top Actuated



### Description

The PTS540 series of ultra low profile SMT top actuated switches are perfect for consumer electronics such as Bluetooth headsets, MP3 accessories and remote controls. Known for being reliable and long-lasting, PTS540 switches are available with a 3.7 x 3.7mm footprint and a 0.35mm thickness.

### Features & Benefits

- 3.7 x 3.7 mm footprint
- 0.35 mm thickness
- High number of cycles

### Applications

- MP3 accessories
- Bluetooth headset
- Remote controls

### Specifications

<b>Function</b>	Momentary action
<b>Contact Arrangement</b>	1 make contact = SPST NO
<b>Terminals</b>	J type for SMT
<b>Travel</b>	0.15mm ± 0.1mm
<b>Packaging</b>	Switches in reels of 10,000 pieces. Dimensions of reels according to EIA 481B. External diameter 330 mm.

### Electrical Characteristics

<b>Max. Voltage</b>	12 VDC
<b>Max. Current DC</b>	50 mA
<b>Dielectric Strength</b>	250 vA C (1mn)
<b>Contact Resistance</b>	≤ 100 mΩ
<b>Insulation Resistance</b>	≥ 100MΩ
<b>Bounce Time</b>	≤ 10 ms

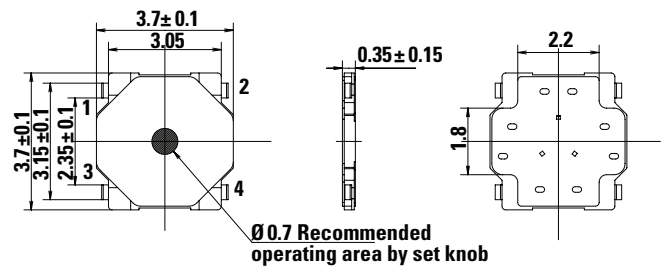
### Environmental Characteristics

<b>Operating Temperature</b>	-30°C to 85°C
------------------------------	---------------

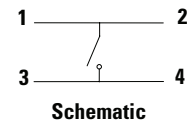
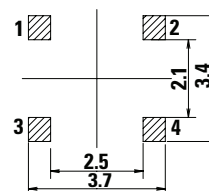
### Process

<b>Soldering</b>	This component is suited to the following methods: Infrared Reflow Soldering in accordance with IEC61760-1
------------------	---

### Dimensions (mm)



### Recommended PCB



# PTS540 Series

## Ultra Low Profile SMT Top Actuated



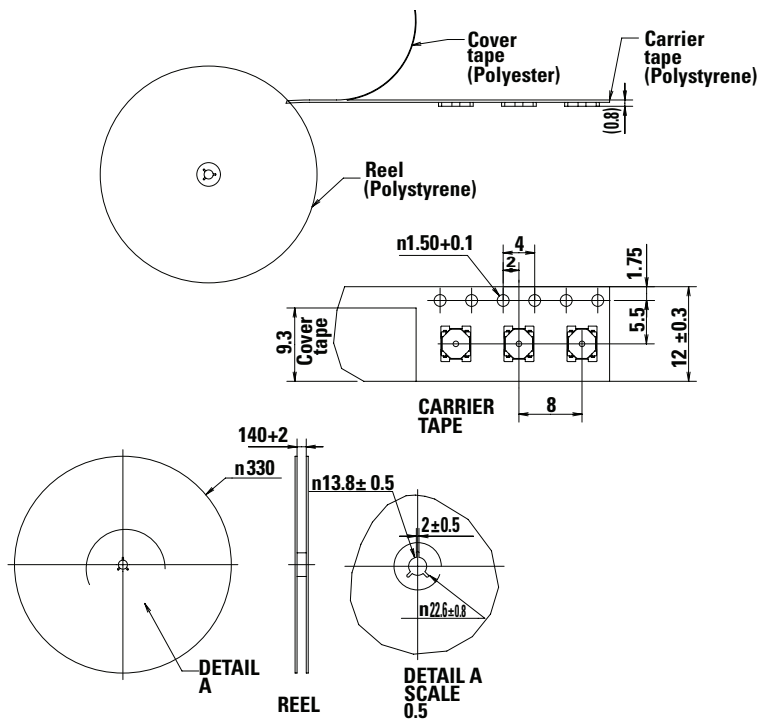
### Mechanical Characteristics

Item Description	Operation Force (gf)	Operating Life (operations)
PTS540 JM035 SMTR LFS	160 ± 50	500,000
PTS540 JK055 SMTR LFS	230 ± 50	300,000

**Notes:**

Specifications listed above are for switches with standard options. For information on specific and custom switches, consult Customer Service Center. The PTS series is not certified for using in Automotive application and no PPAP. However, in the case of some automotive accessories and specific applications for 2 and 3 wheeled vehicles the PTS is widely used and very suitable. Please contact your local C&K representative to discuss your application and the best switch solution.

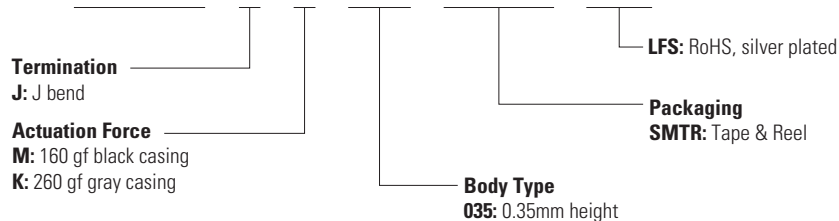
### Tape & Reel (mm)



### Ordering Number

Our easy build-a-switch concept allows you to mix and match options to create the switch you need. To order, select desired option from each category and place it in the appropriate box. For any part number different from those listed above, please consult your local representative.

## PTS540 - J - x - 035 - SMTR - LFS



### Liability Limitation

This datasheet does not provide enough information for applications that require a certain level of quality or safety such as automotive, medical systems, or safety equipment. Please contact customer service for the contractual specification package.

**Disclaimer Notice** - Information furnished is believed to be accurate and reliable. However, users should independently evaluate the suitability of and test each product selected for their own applications. Littelfuse products are not designed for, and may not be used in, all applications. Read complete Disclaimer Notice at <http://www.littelfuse.com/disclaimer-electronics>.