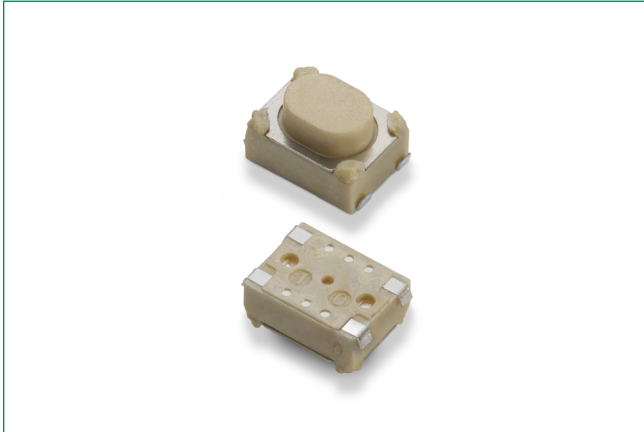


# PTS815 Series

## Microminiature SMT Top Actuated



### Description

The PTS815 series is a small 4.2 x 3.2 mm form factor in SMT version with 2.50 mm height and 3 available actuation forces, ideal for general usage applications.

### Features & Benefits

- 4.2 x 3.2 mm footprint
- 2.5 mm thickness
- Commercial grade

### Applications

- IoT devices
- Home automation
- Remote controls

### Specifications

<b>Function</b>	Momentary action
<b>Contact Arrangement</b>	1 make contact = SPST NO
<b>Terminals</b>	J type for SMT
<b>Travel</b>	0.20mm ± 0.1mm

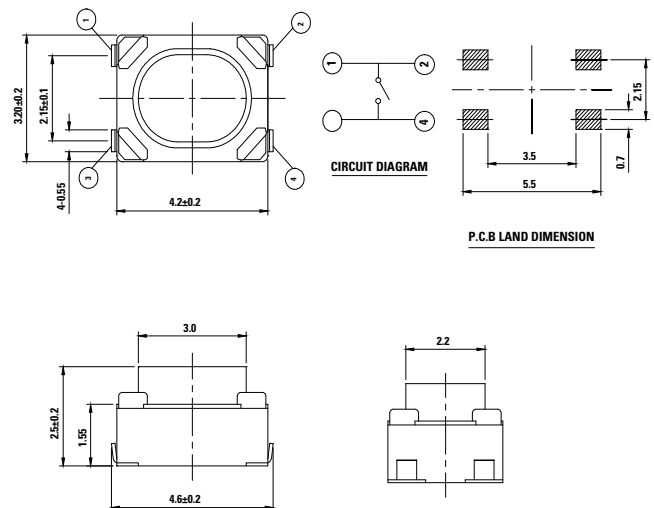
### Electrical Characteristics

<b>Max. Voltage</b>	12 VDC
<b>Max. Current DC</b>	50 mA
<b>Dielectric Strength</b>	250 vA C (1mn)
<b>Contact Resistance</b>	≤ 100 mΩ initial
<b>Insulation Resistance</b>	≥ 100 MΩ
<b>Bounce Time</b>	≤ 10 ms

### Environmental Characteristics

<b>Operating Temperature</b>	-40°C to 90°C
------------------------------	---------------

### Dimensions (mm)

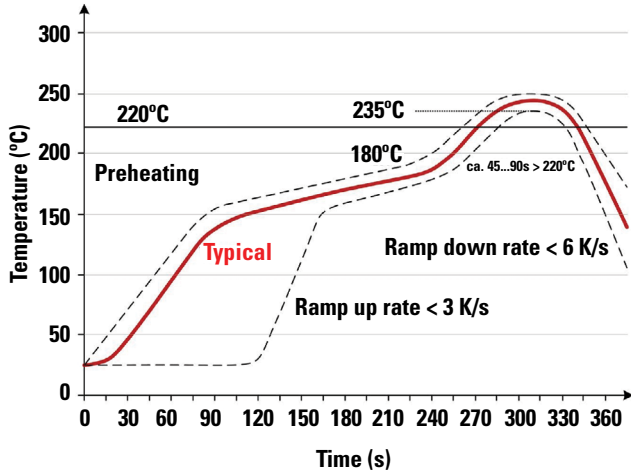


# PTS815 Series

## Microminiature SMT Top Actuated



### Soldering Profile

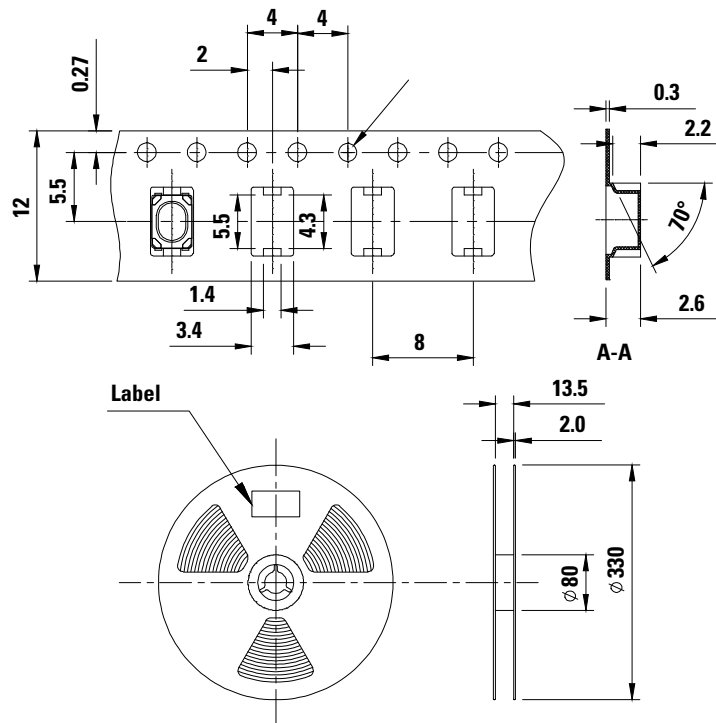


Soldering process: Depending on the application, this component is suited to the following methods:

- This component is suited to the following methods: Infrared Reflow Soldering in accordance with IEC61760-1
- Terminals being silver or gold plated over a nickel barrier, the use of slightly activated flux is suitable.
- Lead free soldering process in accordance with the definition on the left.

**Note:** Up to 2 reflow cycles in accordance with the above temperature profile

### Packaging Dimensions (mm)



**Note:** Switches in reels of 2,900 pieces. Dimensions of reels according to EIA 481B. External diameter 330 mm.

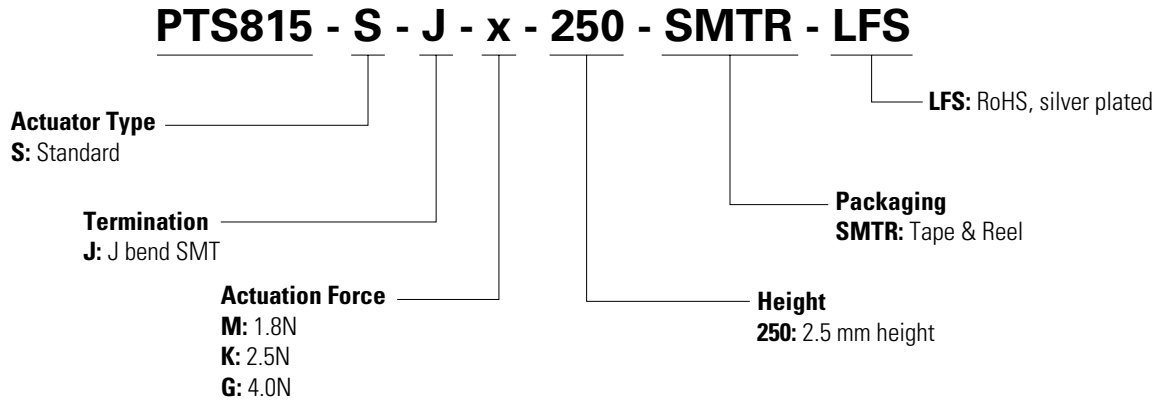
# PTS815 Series

## Microminiature SMT Top Actuated



### Ordering Number

Our easy build-a-switch concept allows you to mix and match options to create the switch you need. To order, select desired option from each category and place it in the appropriate box. For any part number different from those listed above, please consult your local representative.



### Mechanical Characteristics

Supply Status	Littelfuse Orderable Part Number	Description	Contact & Terminals Plating	Terminals	Operating Force Fa (Newtons)	Operating Life (operations)	Electrical Travel (mm)	Product Height from PCB (mm)	Actuator Color
✓	GSPTS0018	PTS815SJG250SMTR LFS	Silver	J-leads SMT	4.0 +/- 1.0	100,000	0.20 ± 0.1	2.5	Black
✓	GSPTS0005	PTS815SJK250SMTRLFS	Silver	J-leads SMT	2.5 +/- 0.5	100,000	0.20 ± 0.1	2.5	White
✓	GSPTS0020	PTS815SJM250SMTRLFS	Silver	J-leads SMT	1.8 +/- 0.5	100,000	0.20 ± 0.1	2.5	White

Notes: Supply status: ✓ : Available for ordering.

### Liability Limitation

This datasheet does not provide enough information for applications that require a certain level of quality or safety such as automotive, medical systems, or safety equipment. Please contact customer service for the contractual specification package.

**Disclaimer Notice** - Information furnished is believed to be accurate and reliable. However, users should independently evaluate the suitability of and test each product selected for their own applications. Littelfuse products are not designed for, and may not be used in, all applications. Read complete Disclaimer Notice at <http://www.littelfuse.com/disclaimer-electronics>.