

PTS830 Series

Micro Miniature Tactile Switch for SMT 3.5 x 2.6 mm



Description

Designers working on the latest, most innovative wearable electronics, remote control and keyless entry products turn to the PTS830 series microminiature SMT top actuated switch. Featuring an optional ground pin and a footprint of 3.5 x 2.6mm, the PTS830 is also very reliable, operating consistently for a high number of cycles.

Features & Benefits

- 3.5 x 2.6 mm footprint
- High number of cycles
- Optional ground pin

Applications

- Wearable electronics
- Nomad devices
- Remote controls
- Keyless entry system

Specifications

Function	Momentary action
Contact Arrangement	1 make contact = SPST N.O.
Terminals	G type for SMT
Travel	0.15 mm ± 0.1 mm

Electrical Specifications

Max. Voltage	12 VDC
Max. Current DC	50 mA
Dielectric Strength	250 VAC Min
Contact Resistance	≤ 100 mΩ
Insulation Resistance	≥ 100 MΩ
Bounce Time	≤ 10 ms

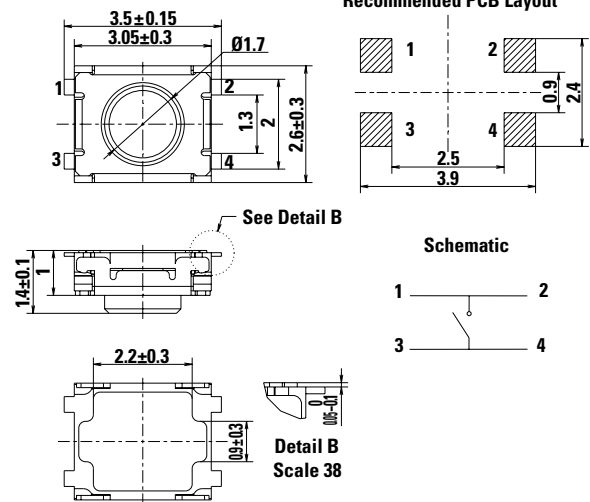
Environmental Specifications

Operating Temperature	-40°C to 85°C
------------------------------	---------------

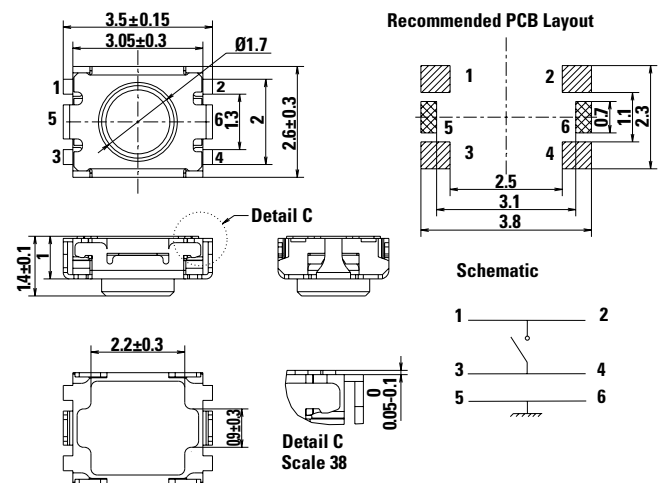
Process

Soldering	This component is suited to the following methods: Infrared Reflow Soldering in accordance with IEC61760-1
------------------	---

PTS830 GX 140 SMTR LFS



PTS830 GX 140 G SMTR LFS

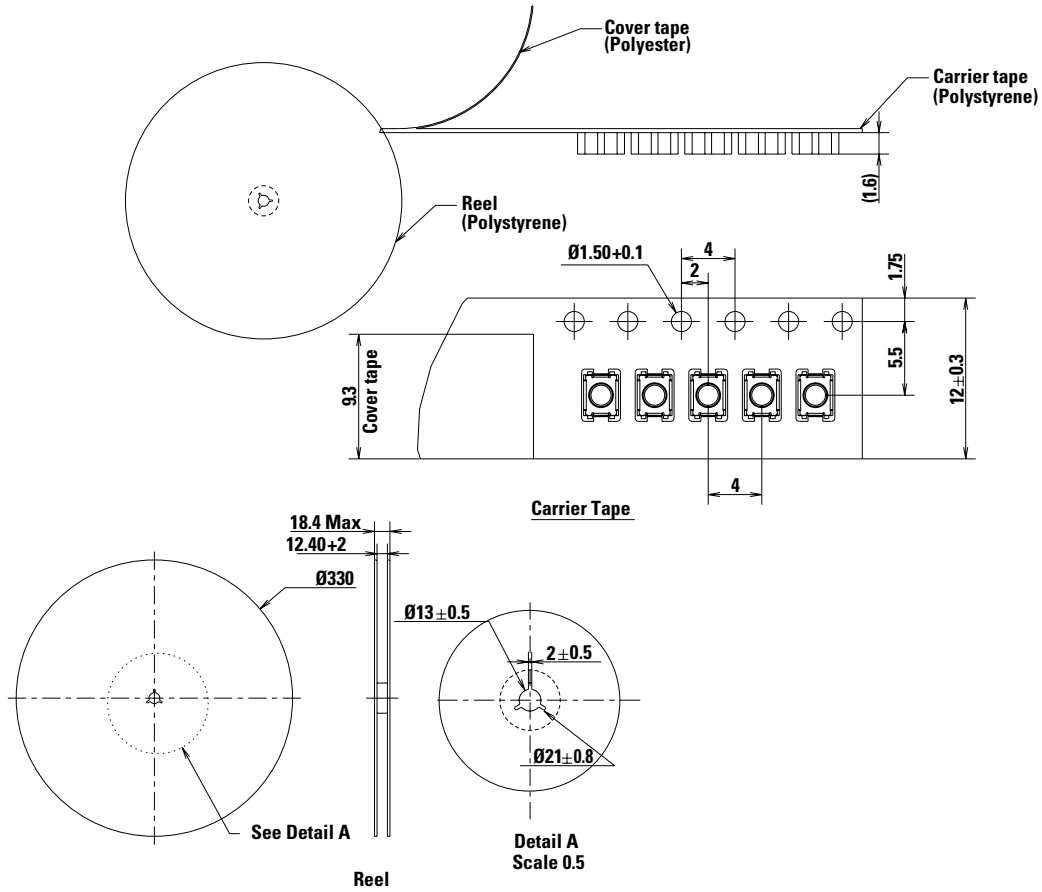


PTS830 Series

Micro Miniature Tactile Switch for SMT 3.5 x 2.6 mm



PTS830 GX 140 SMTR LFS Packaging (mm)



PTS830 Series

Micro Miniature Tactile Switch for SMT 3.5 x 2.6 mm



Mechanical Characteristics

Supply Status	LITTELFUSE Orderable Part Number	Description	Contact & Terminals Plating	Terminals	Ground Pin	Operating Force Fa (Newtons)	Operating Life (operations)	Electrical Travel (mm)	Product Height from PCB (mm)
✓	Y97ST24B8QBFP	PTS830GG140GSMTR LFS	Silver	G type for SMT	Yes	4.5 +/- 0.8	200,000	0.15 ± 0.1	1.4
✓	Y97ST23B8QBFP	PTS830GG140SMTR LFS	Silver	G type for SMT	No	4.5 +/- 0.8	200,000	0.15 ± 0.1	1.4
✓	Y97ST24B5QBFP	PTS830GK140GSMTR LFS	Silver	G type for SMT	Yes	2.4 +/- 0.7	200,000	0.15 ± 0.1	1.4
✓	Y97ST24B2QBFP	PTS830GM140GSMTR LFS	Silver	G type for SMT	Yes	1.6 +/- 0.5	500,000	0.15 ± 0.1	1.4
✓	Y97ST23B2QBFP	PTS830GM140SMTR LFS	Silver	G type for SMT	No	1.6 +/- 0.5	500,000	0.15 ± 0.1	1.4

Notes: Supply status: ✓ Available for ordering.

Liability Limitation

This datasheet does not provide enough information for applications that require a certain level of quality or safety such as automotive, medical systems, or safety equipment. Please contact customer service for the contractual specification package.

Disclaimer Notice - Information furnished is believed to be accurate and reliable. However, users should independently evaluate the suitability of and test each product selected for their own applications. Littelfuse products are not designed for, and may not be used in, all applications. Read complete Disclaimer Notice at <http://www.littelfuse.com/disclaimer-electronics>.