

# PTS840 Series

## Microminiature SMT Side Actuated



### Specifications

<b>Function</b>	Momentary action
<b>Contact Arrangement</b>	1 make contact = SPST NO
<b>Terminals</b>	G and front PIP types for SMT
<b>Travel</b>	+ 0.2mm / -0.1mm
<b>Life</b>	100,000 cycles

### Electrical Characteristics

<b>Max. Voltage</b>	12 VDC
<b>Max. Current DC</b>	50 mA
<b>Dielectric Strength</b>	250 VA C (1mn)
<b>Contact Resistance</b>	≤ 500 mΩ
<b>Insulation Resistance</b>	≥ 100 mΩ
<b>Bounce Time</b>	≤ 10 ms

### Environmental Characteristics

<b>Operating Temperature</b>	-40°C to 85°C
------------------------------	---------------

### Process

<b>Soldering</b>	This component is suited to the following methods: Infrared Reflow Soldering in accordance with IEC61760-1
<b>Packaging</b>	Switches in reels of 3,500 pieces Dimensions of reels according to EIA 481B. External diameter 330 mm.

### Description

The PTS840 series of microminiature SMT side actuated switches feature a front PIP leads option for strong shear resistance – and a reduced footprint of 3.5 x 3.55mm. The long-lasting, reliable PTS840 is perfect for applications in the personal health diagnostics, consumer electronics and remote control fields.

### Features & Benefits

- 3.5 x 3.55 mm footprint
- Front PIP leads option for strong shear resistance
- ESD pin option
- Reduced footprint

### Applications

- Nomad devices
- Remote controls
- Personal health diagnostics
- Consumer electronics

Type	Operation Force (gf)	SMT Leads	Pegs
<b>Without Ground Pin</b>			
PTS840 GM SMTR LFS	160 -40/+70	G leads	No
PTS840 GK SMTR LFS	220 -70/+80		
PTS840 PM SMTR LFS	160 -40/+70	P leads	
PTS840 PK SMTR LFS	220 -70/+80		
PTS840 GMP SMTR LFS	160 -40/+70	G leads	Yes
PTS840 GKP SMTR LFS	220 -70/+80		
<b>With Ground Pin</b>			
PTS840 ESDGM SMTR LFS	160 -40/+70	G leads	No
PTS840 ESDGK SMTR LFS	220 -70/+80		
PTS840 ESDPM SMTR LFS	160 -40/+70	P leads	
PTS840 ESDPK SMTR LFS	220 -70/+80		
PTS840 ESDGMP SMTR LFS	160 -40/+70	G leads	Yes
PTS840 ESDGKP SMTR LFS	220 -70/+80		

#### Note:

Specifications listed above are for switches with standard options. For information on specific and custom switches, consult Customer Service Center.

The PTS series is not certified for using in Automotive application and no PPAP. However, in the case of some automotive accessories and specific applications for 2 and 3 wheeled vehicles the PTS is widely used and very suitable. Please contact your local C&K representative to discuss your application and the best switch solution.

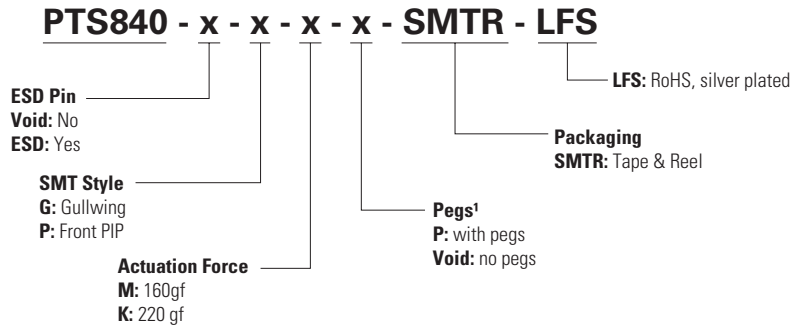
# PTS840 Series

## Microminiature SMT Side Actuated



### Ordering Number

Our easy build-a-switch concept allows you to mix and match options to create the switch you need. To order, select desired option from each category and place it in the appropriate box. For any part number different from those listed above, please consult your local representative.



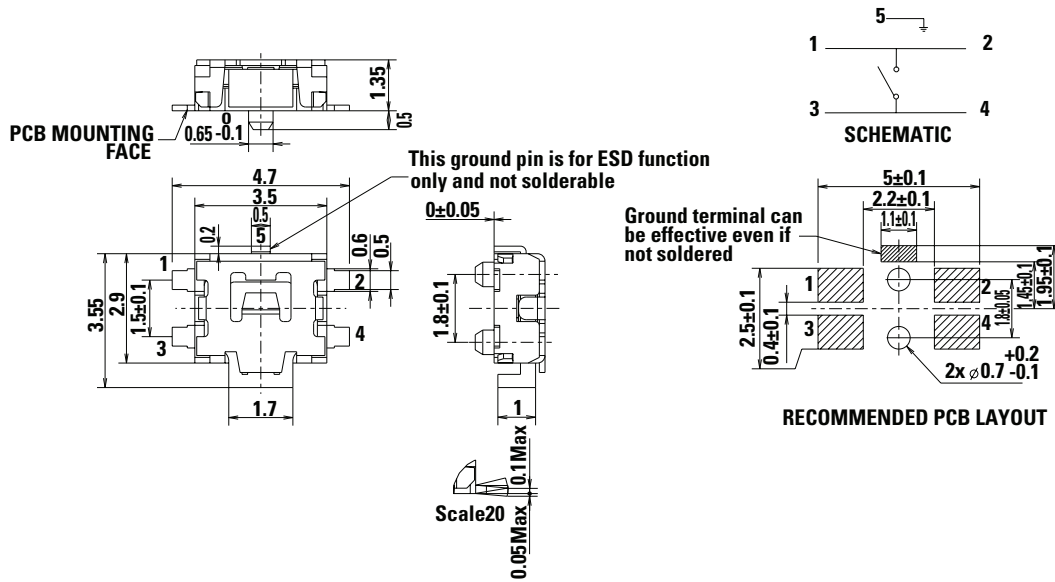
**Note:**

1. Pegs option not valid for P SMT leads type

**Design Recommendations:**

- "P" leads are recommended for applications where shear resistance is of importance.
- When a precise alignment between application button and the switch is requested, version with pegs are the right choice to limit the possible floating of the switch during solderability.

### Standard G SMT Leads with ESD and Peg options

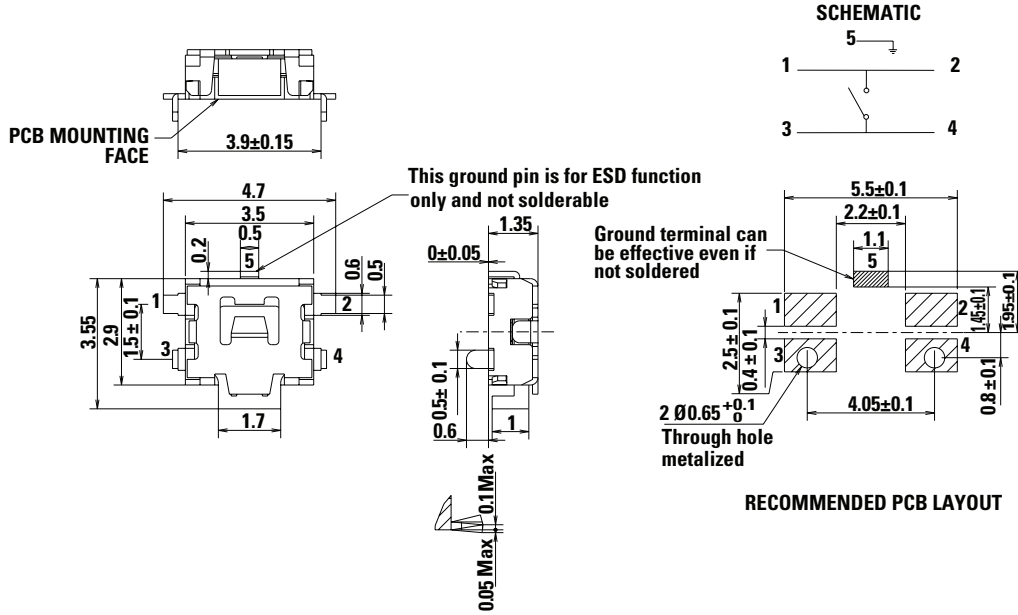


# PTS840 Series

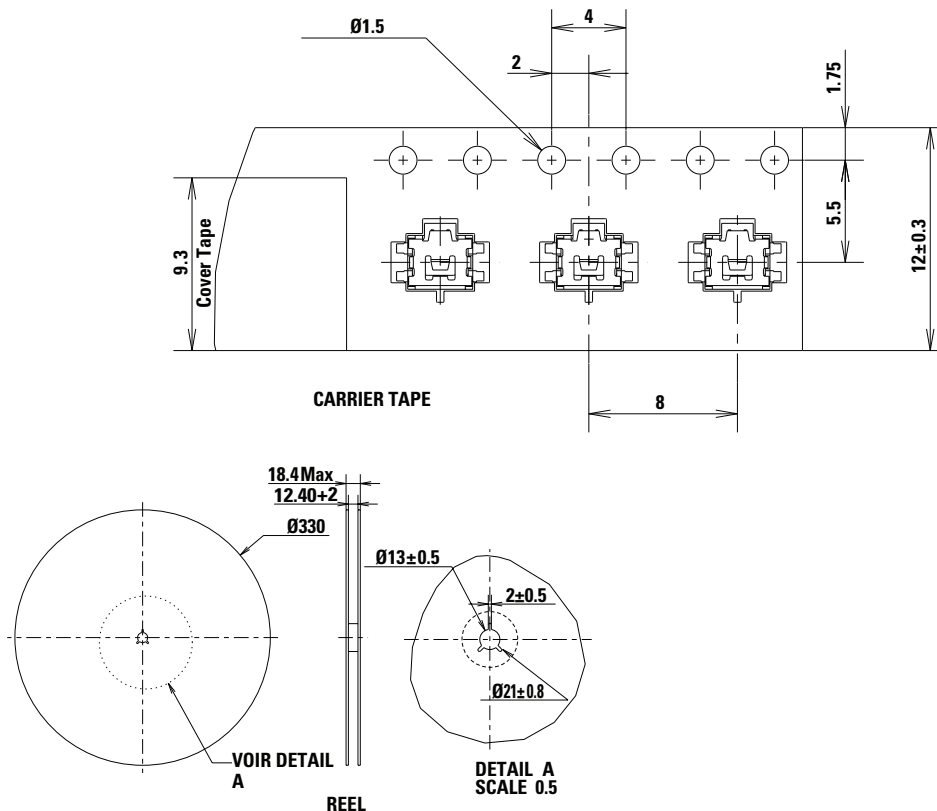
## Microminiature SMT Side Actuated



### P SMT Leads with ESD option



### Tape & Reel



**Disclaimer Notice** - Information furnished is believed to be accurate and reliable. However, users should independently evaluate the suitability of and test each product selected for their own applications. Littelfuse products are not designed for, and may not be used in, all applications. Read complete Disclaimer Notice at <http://www.littelfuse.com/disclaimer-electronics>.