

PTS847 Series

4.6x2.2mm SMT Side Actuated Tactile



Description

PTS847 series is compact size tactile switch designed for high-end consumer and medical devices. There is a need to get smaller and reliable switches for designs that has limited PCB space. PTS847 is an important addition to the portfolio. The switch is ideal for applications such as sports watch, hearing aids, as well as the latest IoT portable device.

Features & Benefits

- 4.6 x 2.2 x 2.6 mm package
- Height 0.95 mm above PCB (edge mount)
- Side actuation
- SMT termination with or without L-shape shield
- Hard & soft actuator options
- 160 & 350 gf versions
- Lifecycles 200K

Applications

- Mobile headphone/ Headset
- Health monitoring
- Sports watch
- Black box
- Bluetooth accessory

Specifications

| | |
|----------------------------|--------------------------|
| Function | Momentary action |
| Contact Arrangement | 1 make contact = SPST NO |
| Terminals | SMT Termination |
| Travel | 0.15 mm |
| Life | 200,000 cycles |

Electrical Characteristics

| | |
|------------------------------|------------|
| Max. Voltage | 15 VDC |
| Max. Current DC | 20 mA |
| Contact Resistance | 100 mΩ |
| Insulation Resistance | 100 MΩ min |
| Dielectric Voltage | AC 250V |

Environmental Characteristics

| | |
|------------------------------|---------------|
| Operating Temperature | -40°C to 85°C |
| Storage Temperature | -40°C to 85°C |

Process

| | |
|------------------|---|
| Soldering | This component is suited to the following methods: Infrared Reflow Soldering in accordance with IEC61760-1 |
| Packaging | 2,500 pieces per reel |

Notes:

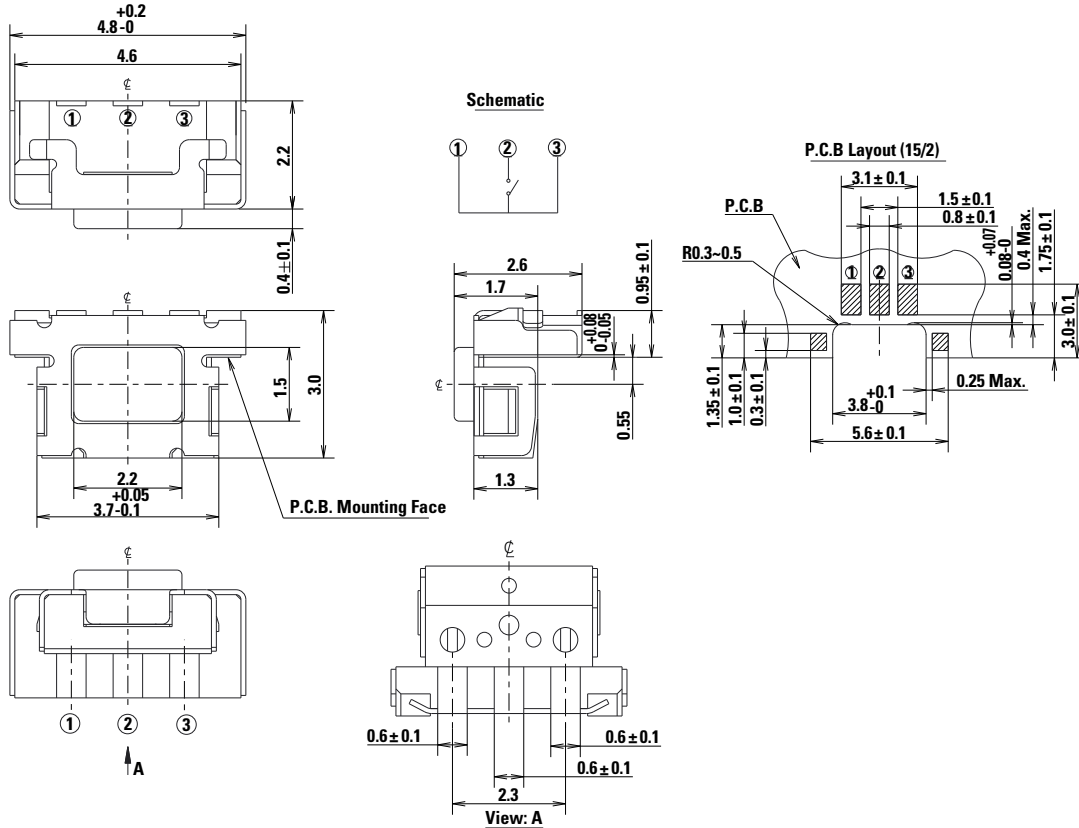
The PTS series is not certified for using in Automotive application and no PPAR. However, in the case of some automotive accessories and specific applications for 2 and 3 wheeled vehicles the PTS is widely used and very suitable. Please contact your local representative to discuss your application and the best switch solution.

PTS847 Series

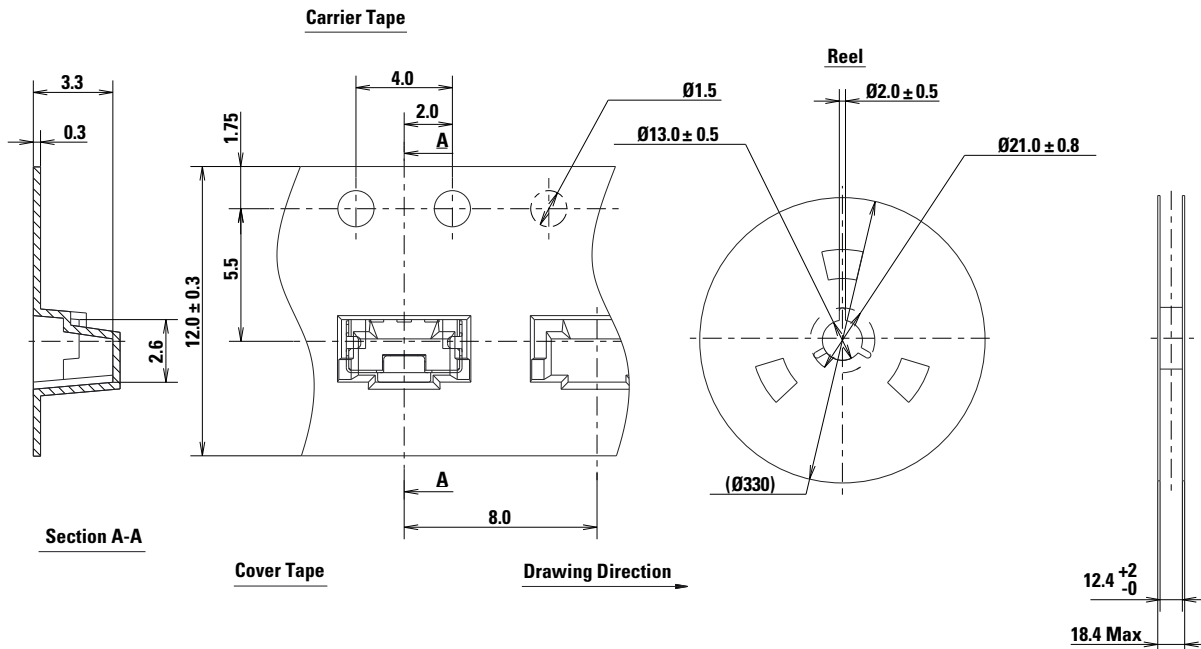
4.6x2.2mm SMT Side Actuated Tactile



Standard Edge Mounting (Hard Actuator Version)



Tape & Reel

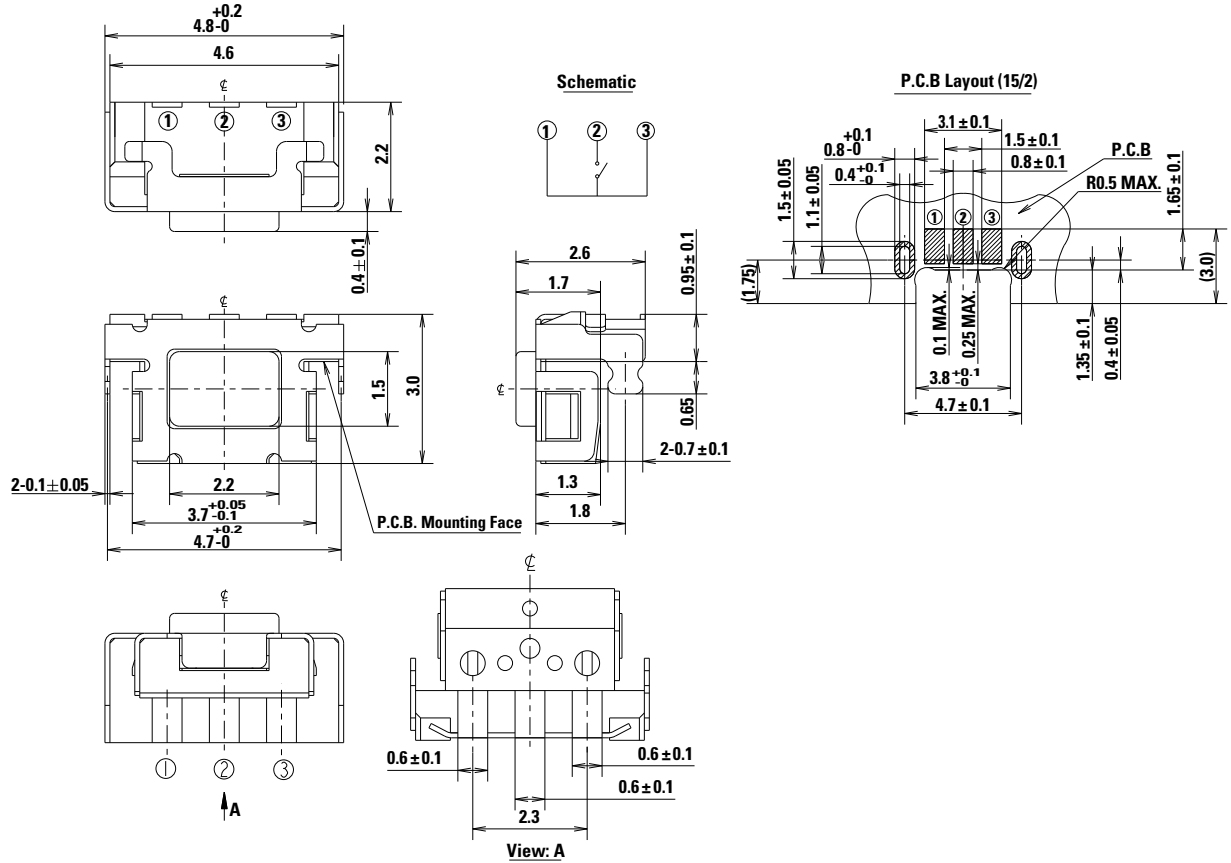


PTS847 Series

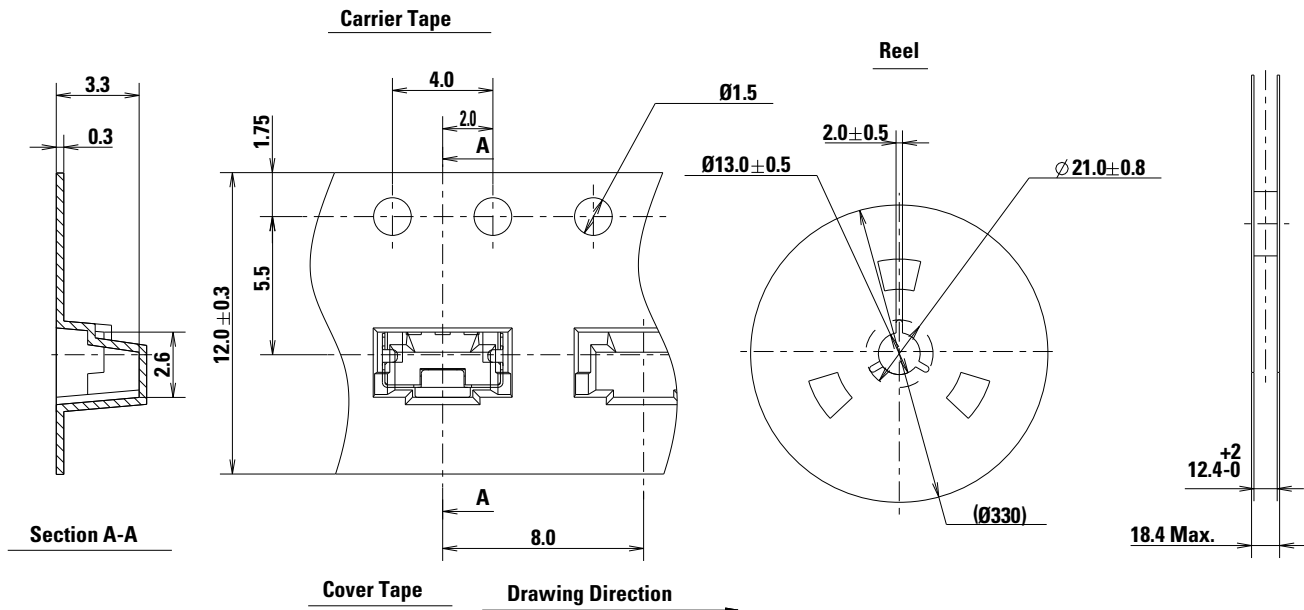
4.6x2.2mm SMT Side Actuated Tactile



Edge Mounting with L-shape Shield Termination (Hard Actuator Version)



Tape & Reel

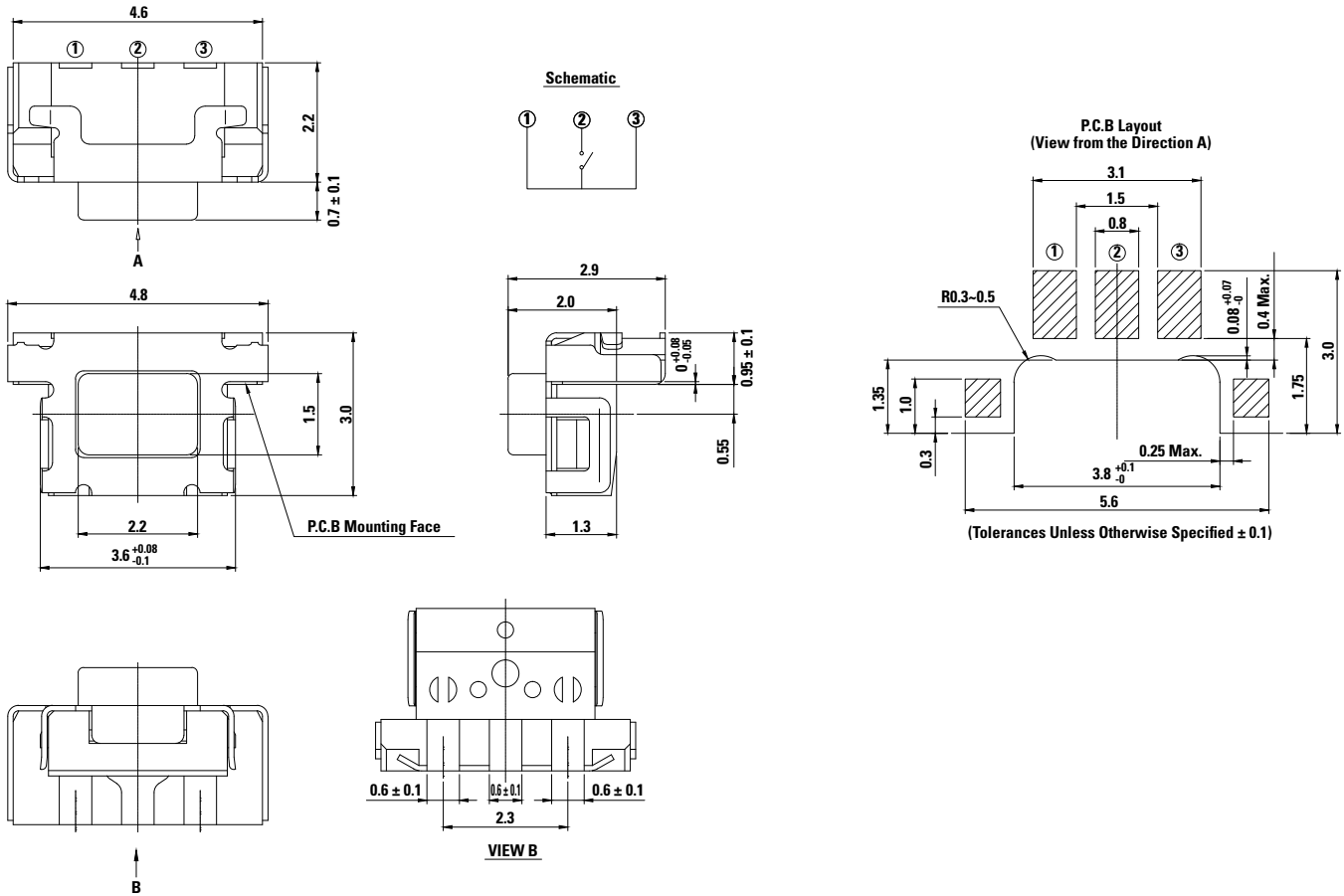


PTS847 Series

4.6x2.2mm SMT Side Actuated Tactile

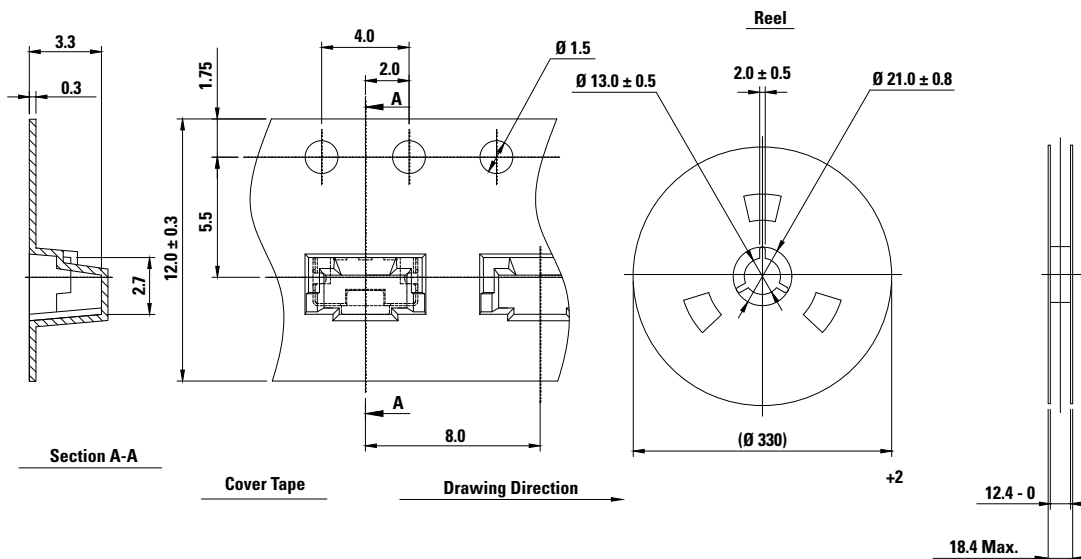


Standard Edge Mounting (Soft Actuator Version)



Tape & Reel

Carrier Tape

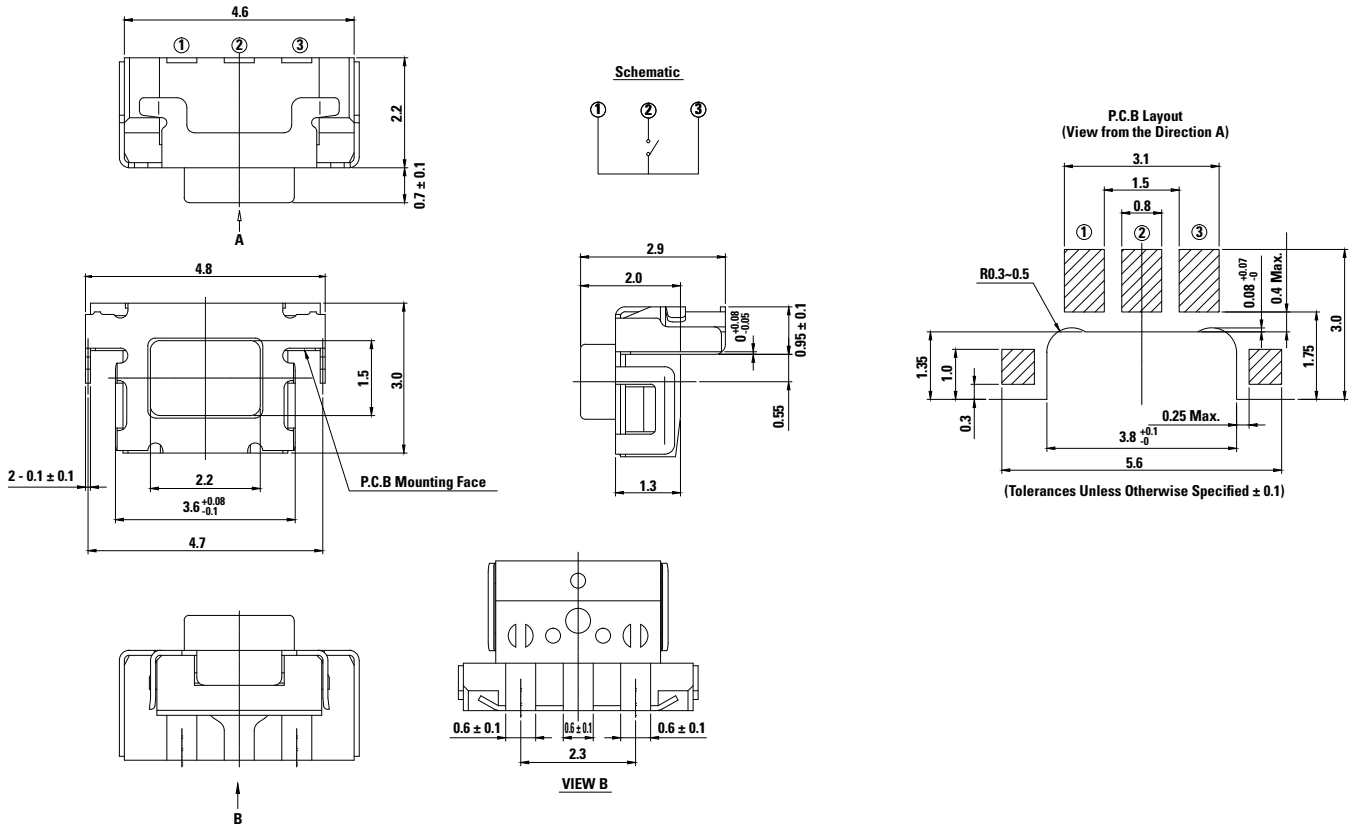


PTS847 Series

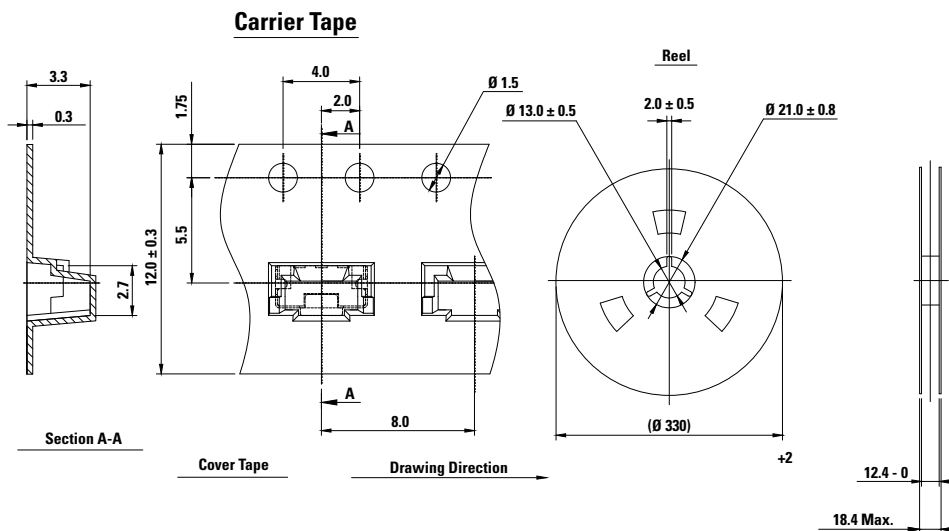
4.6x2.2mm SMT Side Actuated Tactile



Edge Mounting with L-shape Shield Termination (Soft Actuator Version)



Tape & Reel



PTS847 Series

4.6x2.2mm SMT Side Actuated Tactile



Ordering Number

Our easy build-a-switch concept allows you to mix and match options to create the switch you need. To order, select desired option from each category and place it in the appropriate box.

PTS847 - MM - x - x - x - SMTR2 - LFS

Actuation Force

160: 160gf

350: 350 gf

Shield Termination

None: Standard version

L: With long type L-shape

Actuation Force

None: Hard Actuation

S: Soft Actuation

Lead free compatible

Liability Limitation

This datasheet does not provide enough information for applications that require a certain level of quality or safety such as automotive, medical systems, or safety equipment. Please contact customer service for the contractual specification package.

Disclaimer Notice - Information furnished is believed to be accurate and reliable. However, users should independently evaluate the suitability of and test each product selected for their own applications. Littelfuse products are not designed for, and may not be used in, all applications. Read complete Disclaimer Notice at <http://www.littelfuse.com/disclaimer-electronics>.