

PT Series

Sealed Power Toggle Switches



Specifications

UL Electrical Ratings	UL 61058-1
Maintained Functions	15A GP, 277 VAC 50/60Hz T85 15(4)A, 277 VAC 50/60Hz T85 ½ hp, 125 VAC 50/60Hz T85 1 hp, 250 VAC 50/60Hz T85
Momentary Functions	10A GP, 277 VAC 50/60Hz T85 10(4)A, 277 VAC 50/60Hz T85 1/4 hp, 125 VAC 50/60Hz T85 1/2 hp, 250 VAC 50/60Hz T85
Electrical Life	10,000 cycles
DC Electrical Ratings	Resistive Loads
All Functions	Up to 25A, 24 VDC 0.75A, 125 VDC 0.5A, 250 VDC
Maintained Functions	15A, 28 VDC
Momentary Functions	10A, 28 VDC
Dielectric Strength	2500 V min. initial (terminal to toggle)
Insulation Resistance	1000 MΩ min. initial
Contact Resistance	50 mΩ max. Initial (terminal to toggle)
Operating and Storage Temperature	-40°C to 85°C
IP Ratings	IP66/IP68 Versatile

Agency Approvals

Agency	Agency File Number
cULus	E42363

Note:
cULus for Single Pole (S101-S108) models only

Description

The PT series is ideal as a rugged, panel mount, multi-function switch for harsh, dirty, dusty, and wet conditions. The PT series sealed power toggle with patented single piece injection molded panel and toggle seal is suited to the performance requirements for off-road construction, agricultural, material handling, and industrial equipment. The PT sealed power toggle has a versatile IP66/IP68 seal rating, electrical rating at 15 amps for maintained functions and 10 amps for momentary functions, and is IEC/UL 61058-1 certified.

Features & Benefits

- IP66/IP68 versatile rating to withstand harsh outdoor environments, intense, wet weather, wind blown rain, dirt
- UL 61058-1 certified has global acceptance with no additional testing needed
- Integrated panel seal for extra protection
- Superior oil and fuel resistance
- High strength, heat resistant housing designed for demanding applications subjected to vibration and harsh conditions

Applications

- Off-road, construction/ agricultural vehicles
- Articulating, scissor, and bucket lift controls
- Outdoor industrial equipment
- Lift gate controls
- Material handling equipment

Materials

Case	Thermoset
Actuator/Pivot Pin	Stainless Steel
Bushing	Zinc Die Cast
Seal	Silicone
Movable Contact(s)	Copper alloy, silver plated
Buttons	Silver Cadmium
Terminals	Brass for quick connect and screw terminals. Brass with silver plated for solder lug.
Hardware	Hex nut & locking ring: brass, nickel plated Screws: brass Lock washer: brass, nickel plated
Packaging	Trays

PT Series

Sealed Power Toggle Switches



Ordering Number

To order, simply select desired option from each category and place in the appropriate box. For additional options not shown in catalog, consult Customer Service Center.

PTxxx - S - x - x

- Switch Function**
- PT101: SP On-None-On
 - PT102: SP On-None-Off
 - PT103: SP On-Off-On
 - PT105: SP Mom-Off-Mom
 - PT107: SP On-Off-Mom
 - PT108: SP On-None-Mom
 - PT201: DP On-None-On
 - PT202: DP On-None-Off
 - PT203: DP On-Off-On
 - PT205: DP Mom-Off-Mom
 - PT207: DP On-Off-Mom
 - PT208: DP On-None-Mom
- Contact Material**
Q: Standard¹
- Terminals**
S: Screw terminal
Q: Quick connect 0.250"
Z: Solder lug
- Actuator**
S: Standard

Notes:
1. Brass for S and Q terminal options
Brass with silver plating for Z terminal option

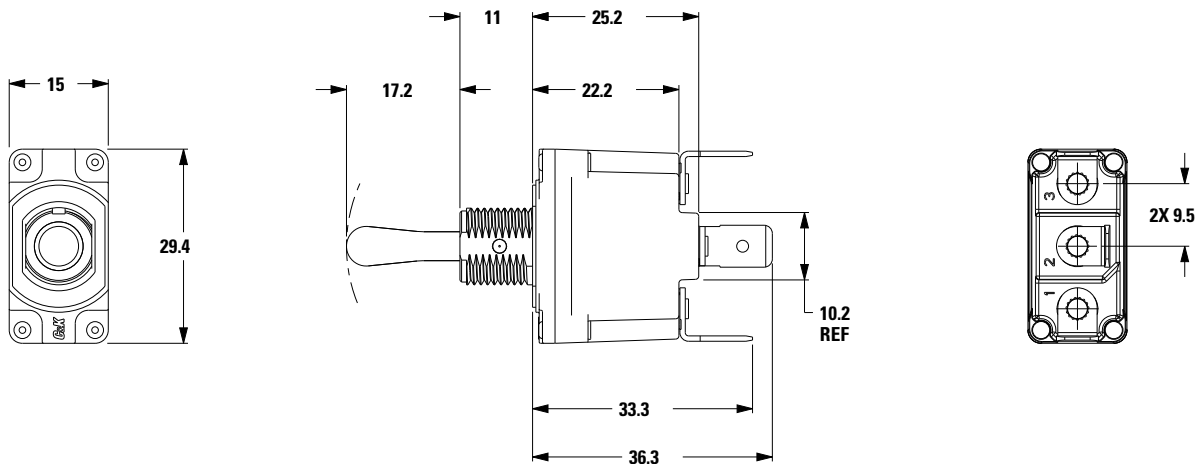
Switch Function

SP

	No. Poles	Model No.	Switch Function			Connected Terminals			Schematic
			POS. 1	POS. 2	POS. 3	POS. 1	POS. 2	POS. 3	
	SP	PT101			ON			2-1	
		PT102 ¹	ON	NONE	OFF	2-3	N/A	OPEN	
		PT103		OFF	ON		OPEN	2-1	
		PT105	MOM	OFF	MOM	2-3	OPEN	2-1	
		PT107	ON	OFF	MOM	2-3	OPEN	2-1	
		PT108		NONE				N/A	

Notes:
1. PT102 OMIT Terminal 1

Dimensions (mm)



PT Series

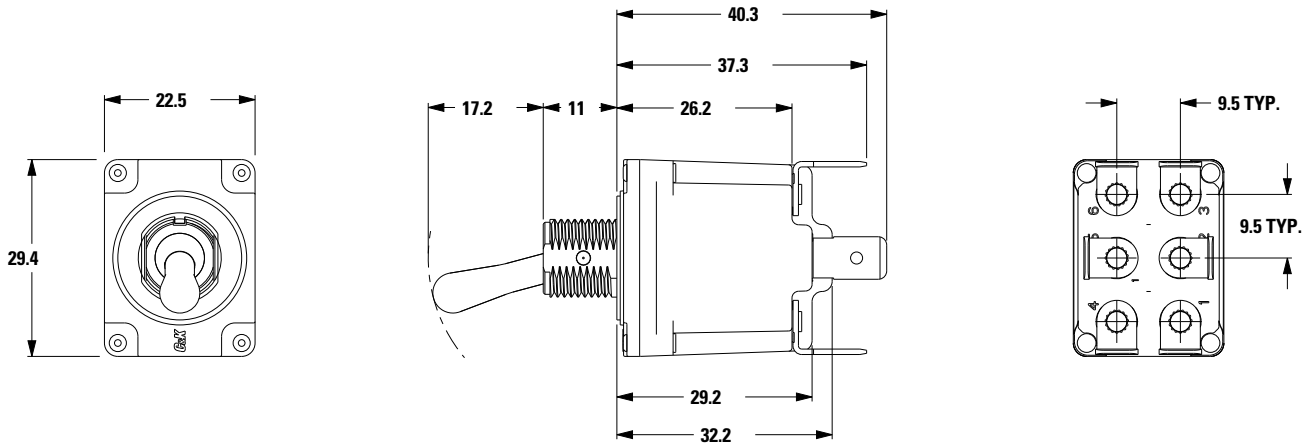
Sealed Power Toggle Switches



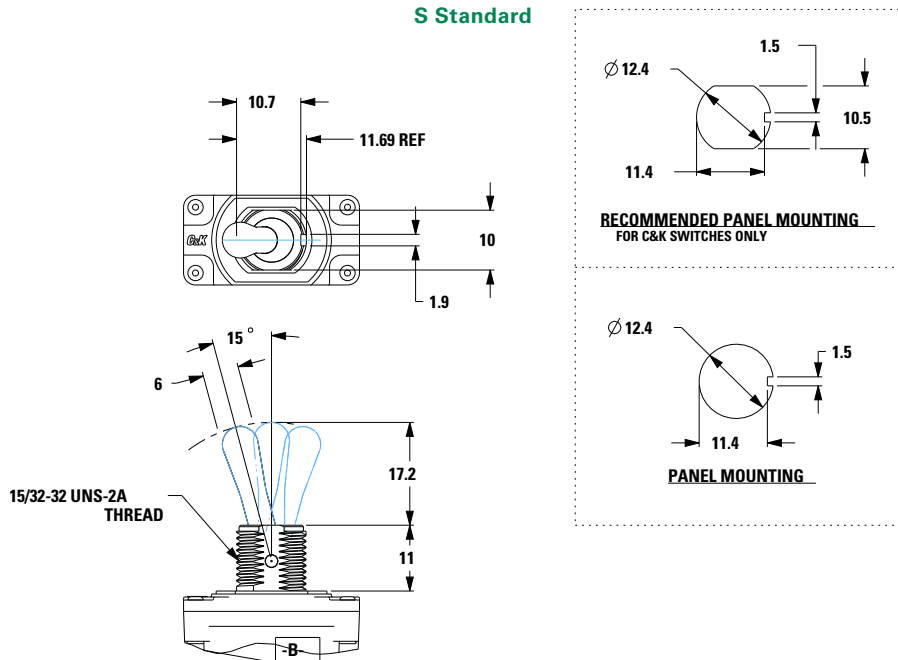
DP

	No. Poles	Model No.	Switch Function			Connected Terminals			Schematic
			POS. 1	POS. 2	POS. 3	POS. 1	POS. 2	POS. 3	
	DP	PT201			ON	2-3, 5-6	N/A	2-1, 4-5	
		PT202 ¹	ON	NONE	OFF		OPEN		
		PT203		OFF	ON		OPEN		
		PT205	MOM	OFF	MOM		OPEN		
		PT207	ON	OFF	MOM		OPEN		
		PT208		NONE	MOM		N/A		

Notes:
 1. PT202 OMIT Terminal 1 and 4



Actuator S Standard



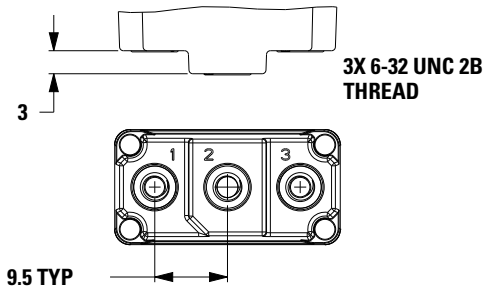
PT Series

Sealed Power Toggle Switches



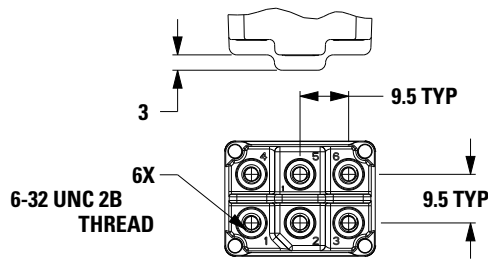
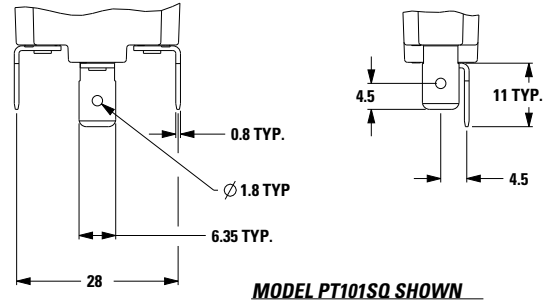
Terminals

S Screw Terminal

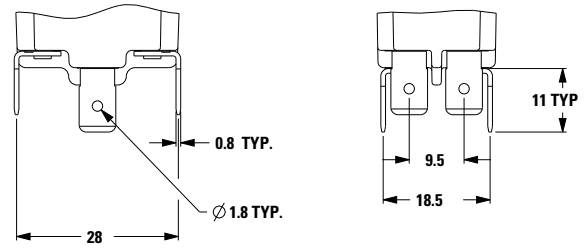


MODEL PT101SS SHOWN

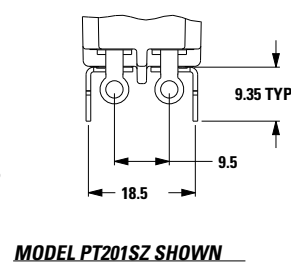
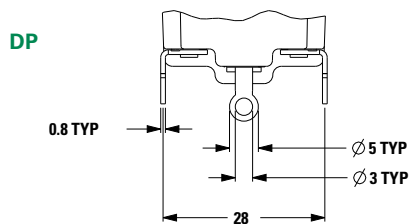
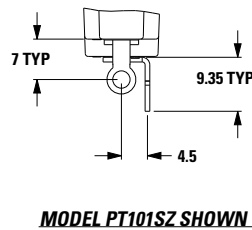
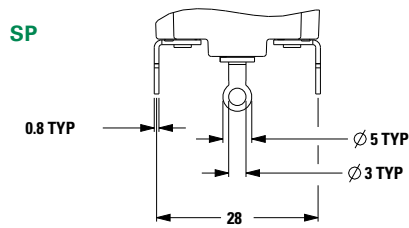
Q Quick Connect



MODEL PT201SS SHOWN



Z Solder Terminal



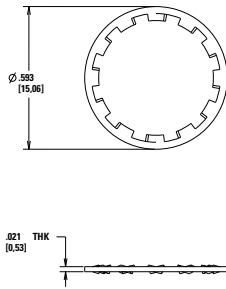
PT Series

Sealed Power Toggle Switches



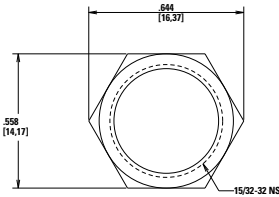
Mounting Hardware

Lock Washer



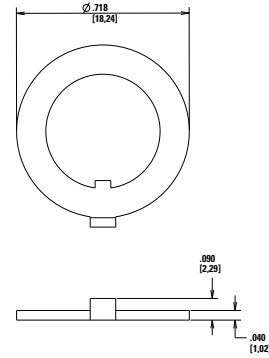
Part No. 700302202
Nickel Plated

Hex Nut



Part No. 707100201
Nickel Plated

Locking Ring



Part No. 707200201
Nickel Plated with Keyway

Notes:
Standard hardware shipped with each switch is 1 piece each.