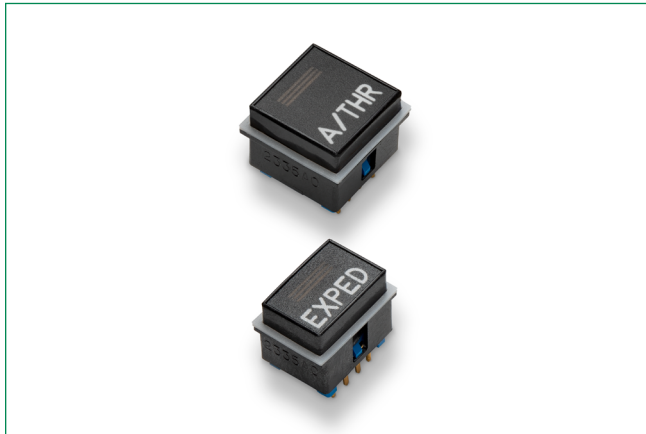


PBA Series

Illuminated Pushbutton



Description

PBA series is a small size switch with actuator legend or status indication. The legends of function and the status indicator can be illuminated separately. Single or dual LED colour is available. PBA pushbuttons meet the seal protection of IP64. Typical application is avionic.

Features & Benefits

- Illuminated display
- Small size
- Cold lighting
- Tactile feed back

Applications

- Avionic

Mechanical Specifications

Actuation Force	4.75N ± 1.25N
Maximum Force	40N
Electrical Travel	1.3mm ± 0.2mm
Total Travel	1.5mm max
Life expectancy	10 ⁶ operations 28 V - 10mA
Weight	2 grams

Electrical Specifications

Contacts	Gold plated
Voltage	Max 100 V - Min 20 mV DC
Current	Max 100mA - Min 50mA
Max. Switching Power	1 W
Contact Resistance	< 50 Ω
Dielectric Strength	500 V rms
Insulation Resistance	(100 V): > 5000 M Ω
Bounce Time	< 3 ms
Switching of 2 Poles Matching	< 10 ms

Environmental Data

Storage Temperature	-55°C - 85°C
Operating Temperature	-15°C +55°C
Temperature of Key to Cap	< Ambient +25°C
Humidity Test	21 days (-40°C - 93% HR)

Soldering Data

Manual Soldering	250°C/2s according to IEC 68-2-20
------------------	-----------------------------------

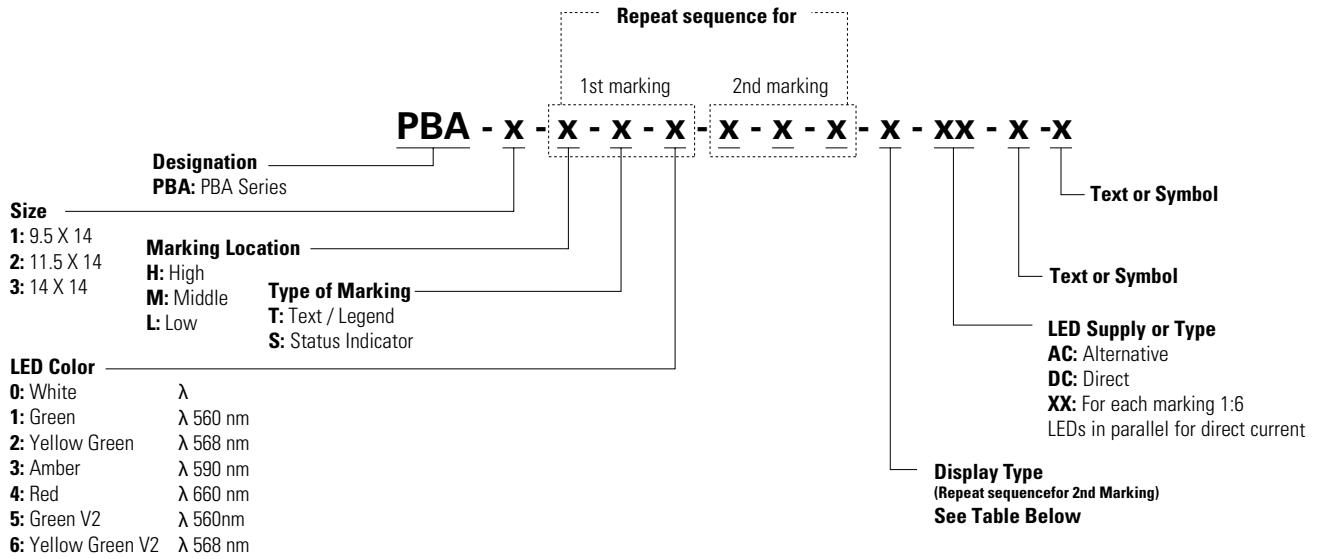
PBA Series

Illuminated Pushbutton



Ordering Number

To order, simply select desired option from each category and place in the appropriate box. To order, select desired option from each category and place it in the appropriate box. For any part number different from those listed above, please consult your local representative.



For example: **PBA - 1 - H - S - 1 - L - T - 3 - N - DC - 3LIG - FD**

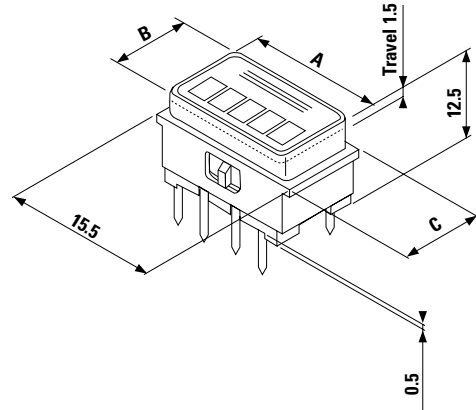
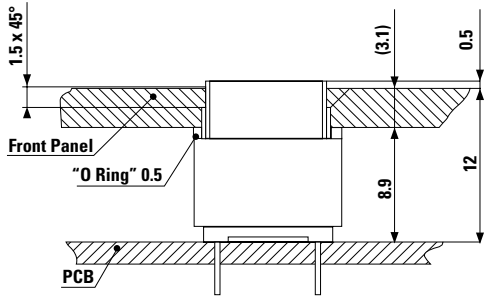
		LED Non-Illuminated	LED Illuminated
N	Text Marking	White	LED Color
	Background	Black	Black
S	Text Marking	Not visible	LED Color
	Background	Black	Black
R	Text Marking	White	LED Color
	Background	Red	Red
G	Text Marking	Green	Green
	Background	Black	Black

PBA Series

Illuminated Pushbutton



Dimension (applicable for any size)

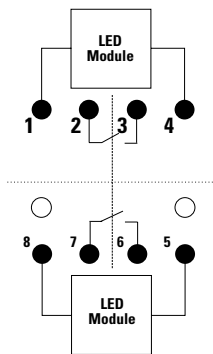


	9.5 x 14	11.5 x 14	14 x 14
A	14	14	14
B	9.5	11.5	14
C	11	11.5	15.5

Note:
Tolerance ± 0.1 mm

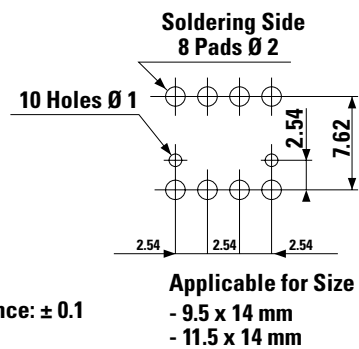
LED Module Layout

Soldering Side

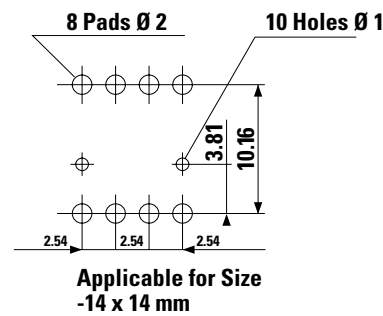


LED Module	Status Indicator	Text/Legend
Upper LED Module		
Middle or Lower LED Module		

PCB Layout



Tolerance: ± 0.1

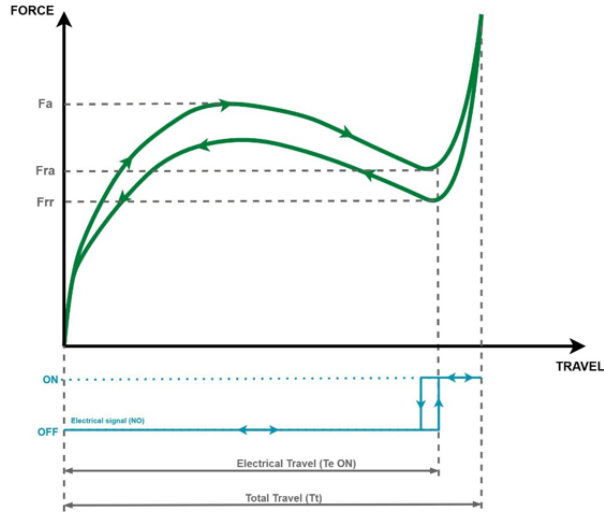


PBA Series

Illuminated Pushbutton

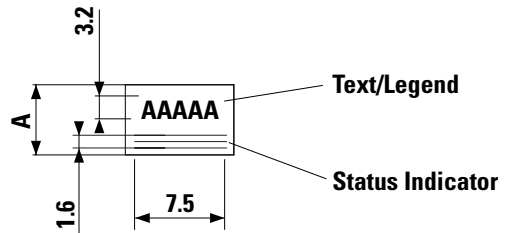
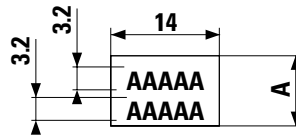
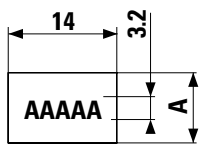


Tactile Effect



- Activation force: $4,75 \pm 1,25\text{N}$
- Return force: $0,5\text{N min}$
- Electrical travel ON: $1,3 \pm 0,2\text{mm}$
- Total travel: $1,5\text{mm max}$

Text Marking



A = 9.5 or 11.5 or 14mm

Note:
1 or 2 markings are available in any combination of text / legend or status indicator.