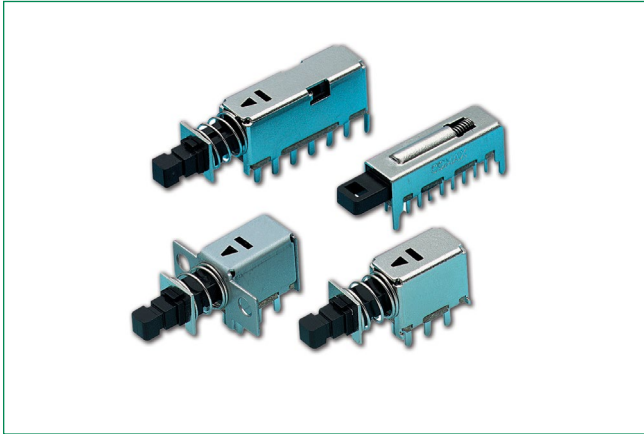


PS Series

Miniature Pushbutton Switches



Description

PS series Miniature Pushbutton Switches are integrated into innovative audio & visual equipment, telecommunications, industrial and automotive products by some of the world's leading designers. The PS series are miniature switches available in momentary or latching options, as well as a broad range of style choices.

Features & Benefits

- Miniature size
- Momentary or latching options
- Broad range of products

Applications

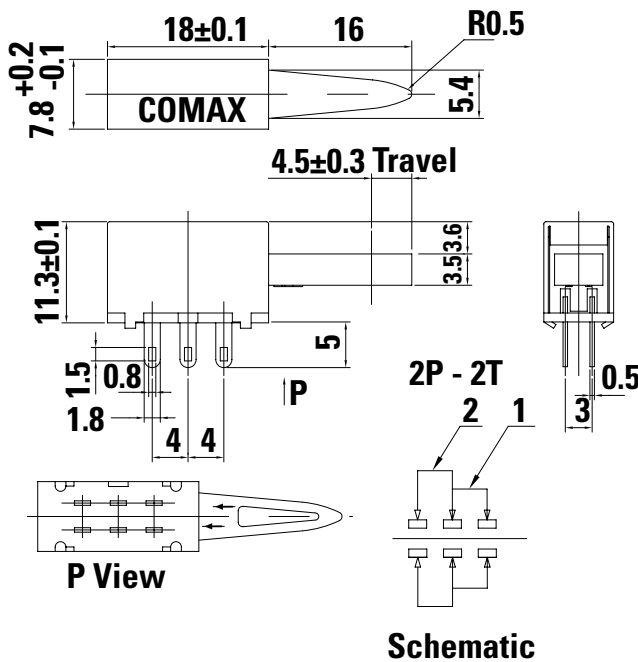
- Industrial
- Automotive
- Audio and visual equipment
- Telecommunications

Ordering Number

Part number list is shown below. For individual part details, please refer to the following pages.

Part Number (Part Description)	Product Details
PS-22105	DPDT, non-shorting, RT angle with metal frame

PS-22105 DPDT Non-Shorting



Specifications

Contact Rating	0.3A @ 30 VDC
Initial Contact Resistance	30 m ohms max.
Insulation Resistance	100 M ohms min.
Dielectric Strength	500 V AC (50-60 Hz) between open terminals and between the frame and terminal.
Operating Life	10,000 cycles with load
Operating Force	400 ± 150 gf (3.92 ± 1.47N)
Total Travel	4.5 mm ± 0.3 mm
Operating Temperature	-20°C to 70°C

Materials

Frame	SECC
Knob	POM (UL 94HB)
Contact Plate	Silver clad
Spring	SUS
Terminal	Silver plated

PS Series

Miniature Pushbutton Switches



Ordering Number

Part number list is shown below. For individual part details, please refer to the following pages.

Part Number (Part Description)	Product Details
PS-12C02-F NS	SPST non-shorting, mom
PS-32C02-F NS	1P3T non-shorting, mom, pitch: 7.2 mm
PS-42C02-F NS	1P4T non-shorting, mom, pitch: 7.2 mm

PS-12C02-F NS SPST Non-Shorting

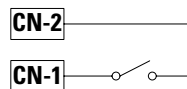
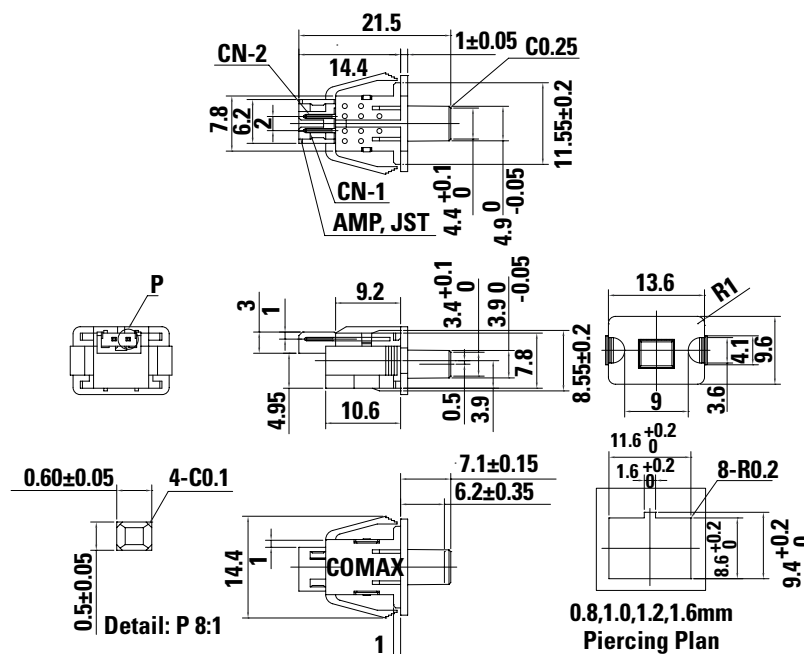
Materials

Cover	PA (UL 94V-0)
Knob	POM (UL 94HB)
Housing	PA (UL 94V-0)
Spring	SUS
Terminal	Silver plated

Specifications

Contact Rating	100 μ A @ 3 VDC min. / 10mA @ 5 VDC max.
Initial Contact Resistance	100 m ohms max.
Insulation Resistance	100 M ohms min.
Dielectric Strength	250 V AC (50-60 Hz) between open terminals and between the frame and terminal.
Operating Life	100,000 cycles with load
Operating Force	50 \pm 15 gf (0.49 \pm 0.147N)
Total Travel	6.20 mm \pm 0.35 mm
Operating Temperature	-40°C to 85°C

Dimensions



Schematic

PS Series

Miniature Pushbutton Switches



PS-32C02-F NS 1P3T Non-Shorting

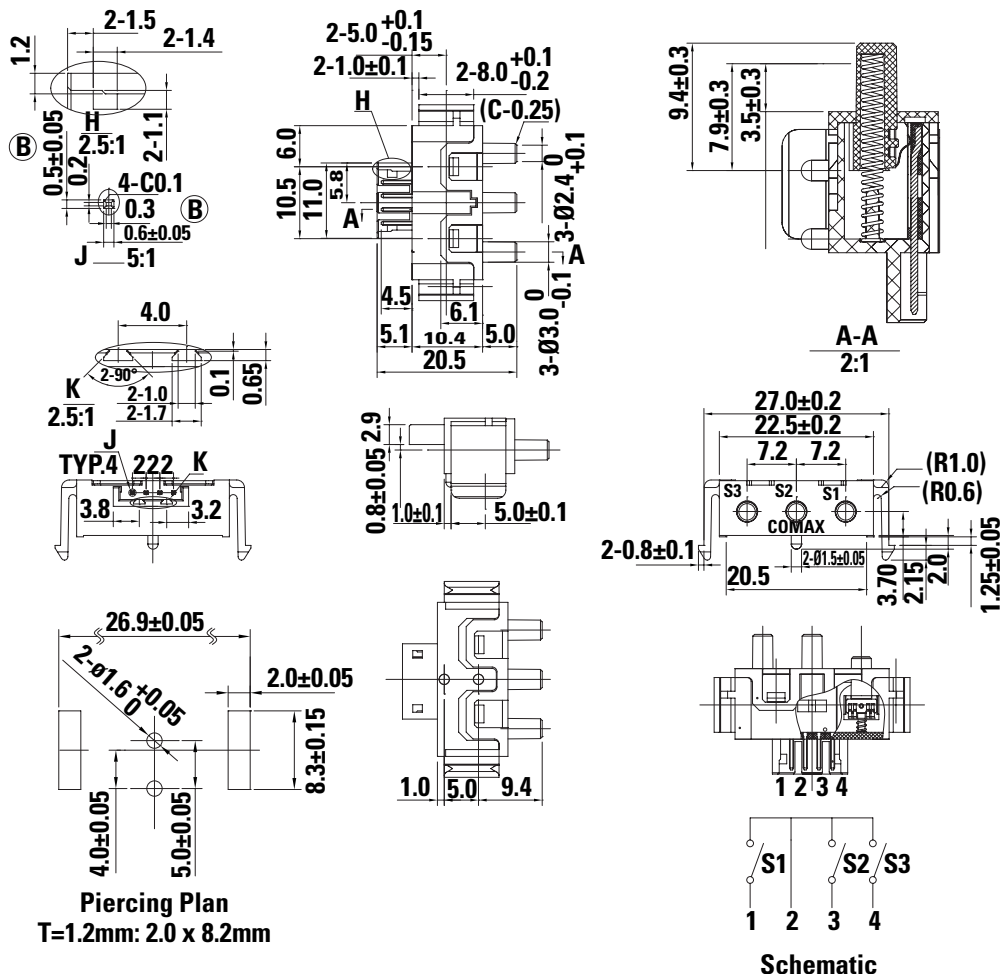
Materials

Cover	PA (UL 94V-0)
Knob	POM (UL 94HB)
Housing	PA (UL 94V-0)
Spring	SUS
Terminal	Silver plated

Specifications

Contact Rating	100 μ A @ 3 VDC min. / 10mA @ 5 VDC max.
Initial Contact Resistance	100 m ohms max.
Insulation Resistance	100 M ohms min.
Dielectric Strength	250 V AC (50-60 Hz) between open terminals and between the frame and terminal.
Operating Life	100,000 cycles with load
Operating Force	80 \pm 20 gf (0.784 \pm 0.196N)
Pre-Travel	1.5 \pm 0.3 mm
Over-Travel	3.5 \pm 0.3 mm
Total Travel	5 mm \pm 0.3 mm
Operating Temperature	-20°C to 65°C

Dimensions



PS Series

Miniature Pushbutton Switches



PS-42C02-F NS 1P4T Non-Shorting

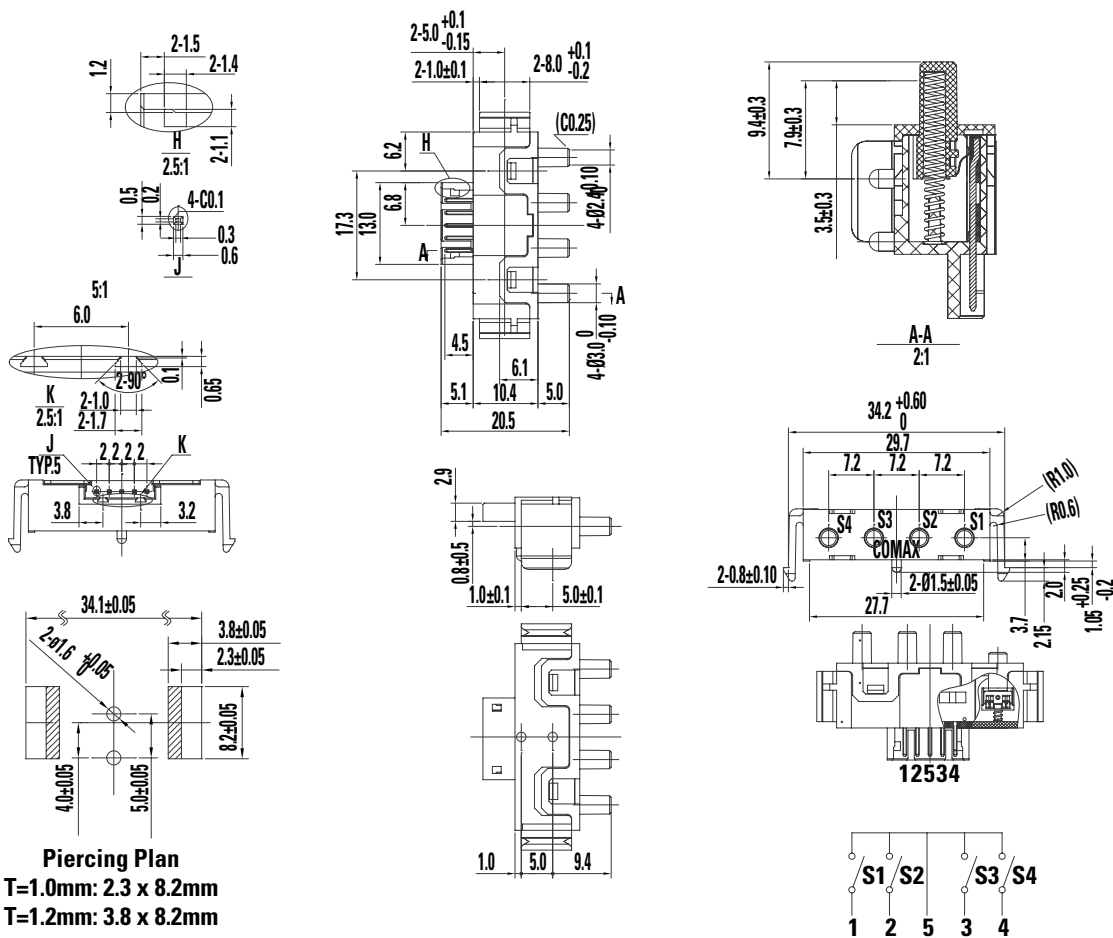
Materials

Cover	PA (UL 94V-0)
Knob	POM (UL 94HB)
Housing	PA (UL 94V-0)
Spring	SUS
Terminal	Silver plated

Specifications

Contact Rating	100 μ A @ 3 VDC min. / 10mA @ 5 VDC max.
Initial Contact Resistance	100 m ohms max.
Insulation Resistance	100 M ohms min.
Dielectric Strength	250 V AC (50-60 Hz) between open terminals and between the frame and terminal.
Operating Life	100,000 cycles with load
Operating Force	80 \pm 20 gf (0.784 \pm 0.196N)
Pre-Travel	1.5 \pm 0.3 mm
Over-Travel	3.5 \pm 0.3 mm
Total Travel	5 mm \pm 0.3 mm
Operating Temperature	-20°C to 65°C

Dimensions



Piercing Plan
 T=1.0mm: 2.3 x 8.2mm
 T=1.2mm: 3.8 x 8.2mm

Schematic

Disclaimer Notice - Information furnished is believed to be accurate and reliable. However, users should independently evaluate the suitability of and test each product selected for their own applications. Littelfuse products are not designed for, and may not be used in, all applications. Read complete Disclaimer Notice at <http://www.littelfuse.com/disclaimer-electronics>.