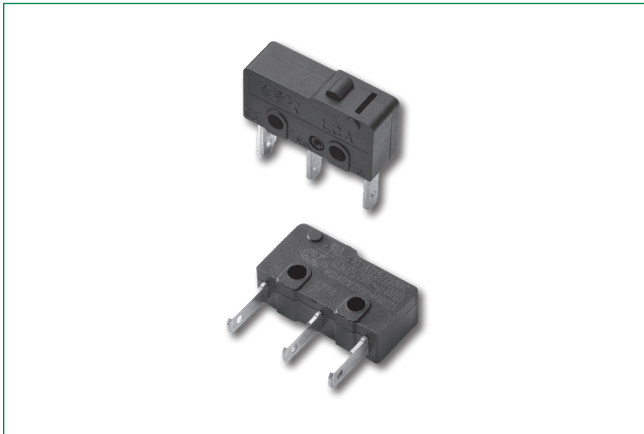


# LCA Series

## Small Size Snap-acting Switches



### Description

The LCA series small size snap-acting switch features a compact design; includes quick connect, solder terminals and PC terminals; and is available in a wide variety of actuator styles. Designers of motorized equipment, sump pumps and thermostatic controls turn to the LCA series because of its reputation for high performance, a long lifecycle and a high electrical capacity.

### Features & Benefits

- Compact design
- Long life and high electrical capacity
- Quick connect, wire lead or PC mounting
- Wide variety of actuator styles
- RoHS compatible

### Applications

- Motorized equipment
- Sump pump
- Thermostatic controls
- Automotive: door latch, seat position detection, EV charging

### Specifications

<b>Contact Rating</b>	From low level to 10.1 amps @ 125/250 V AC.
<b>Electrical Life</b>	0.1A @ 125/250VAC up to 1M cycles 6A & 10A @ 125/250VAC 10k cycles 5A @ 125/250VAC 100k cycles
<b>Insulation Resistance</b>	100 M ohm min.
<b>Dielectric Strength</b>	1,500 Vrms min. @ sea level
<b>Operating Temperature</b>	-40°C to 125°C
<b>Operating Force</b>	150 grams at actuator button Max. Forces are less at free end of lever actuators; (see Actuators option sections).
<b>Mounting</b>	2-56 screws, torque 2.3 in/lbs max.



#### Notes:

Specifications and materials listed above are for switches with standard options. For information on specific and custom switches, consult Customer Service center.

### Materials

<b>Switch Housing</b>	Thermoplastic polyester
<b>Actuator Button</b>	
<b>Spring</b>	Copper alloy.
<b>Pivot</b>	
<b>Movable Contacts</b>	Silver alloy
<b>Stationary Contacts</b>	
<b>Terminals</b>	Copper alloy
<b>Actuator Lever</b>	Stainless steel

### Agency Approvals

Agency	Agency File Number
	E42363
	ENEC-03370

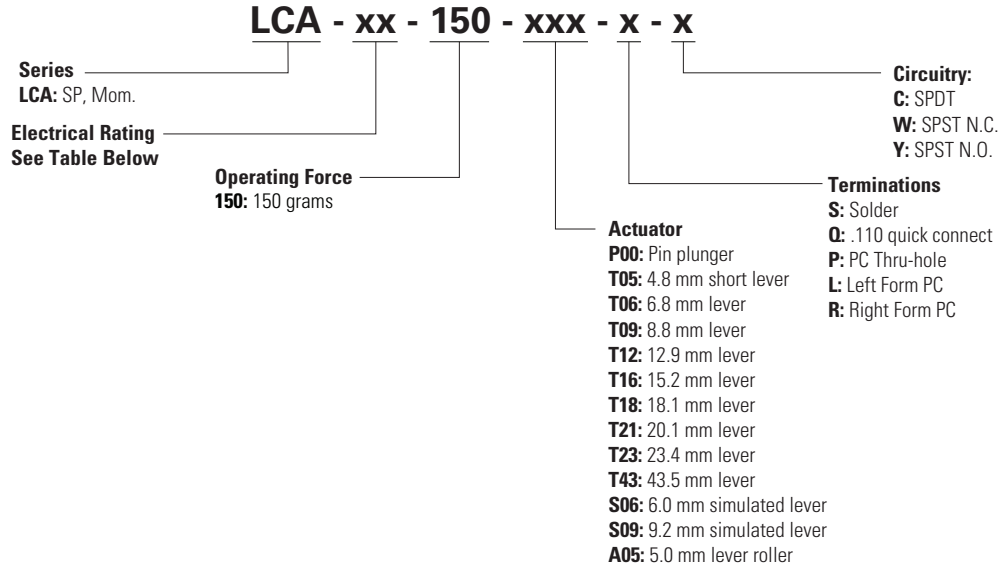
# LCA Series

## Small Size Snap-acting Switches



### Ordering Number

To order, simply select desired option from each category and place in the appropriate box. For additional options not shown in catalog, consult Customer Service Center.

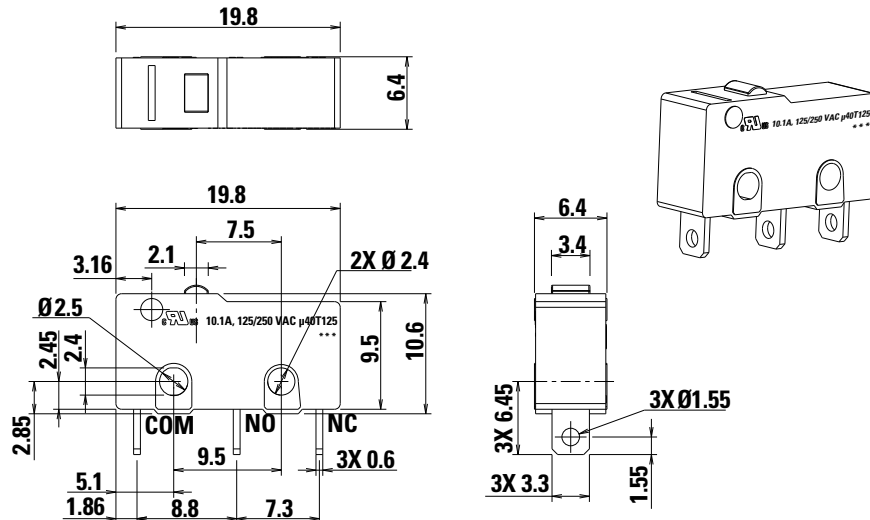


### Electrical Rating

Option Code	UL 1054	UL 61058-1	
01	0.1A 125/250 VAC 1E4		
06	6A 125/250 V AC 1E4	6 (2) A 125/250 V AC 1E4	
10	10.1A 125/250 V AC 1E4	10.1 A 125/250 V AC 1E4	
S5	-	5A 125/250 V AC 1E5	-

### Series (mm)

#### LCA



# LCA Series

## Small Size Snap-acting Switches



### Electrical Rating

RoHS Compliant¹	RoHS Compatible¹	Option Code	Electrical Rating
Yes		01	0.1A, 125/250 VAC
Yes		06	6A, 125/250 VAC
Yes		10	10.1A, 125/250 VAC
Yes		S5	5A, 125/250 VAC

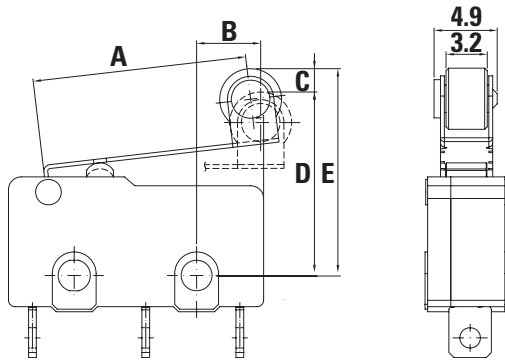
### Operating Force

Option Code	Operating Forces (grams)
150	150 grams max.

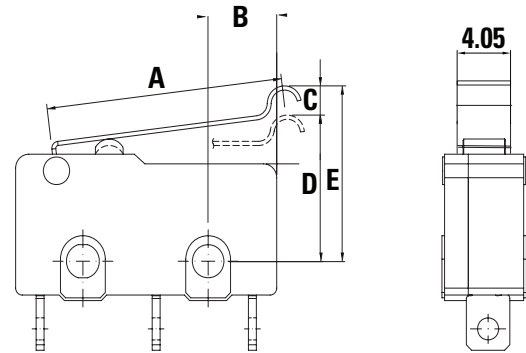
**Notes:**  
See Technical Data section of this catalog for RoHS compliant and compatible definition and specifications.

### Actuator (mm)

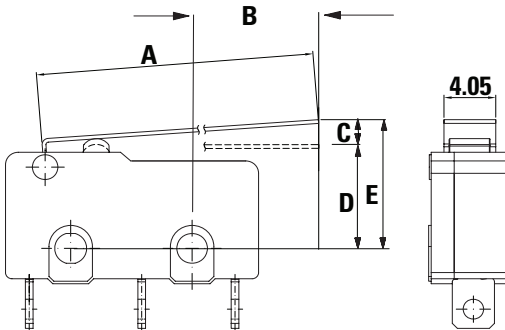
#### A05 Lever Roller



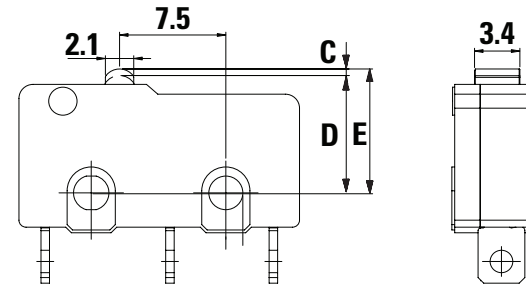
#### SXX Simulated Roller



#### TXX Lever



#### P00



# LCA Series

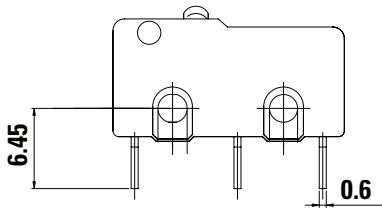
## Small Size Snap-acting Switches



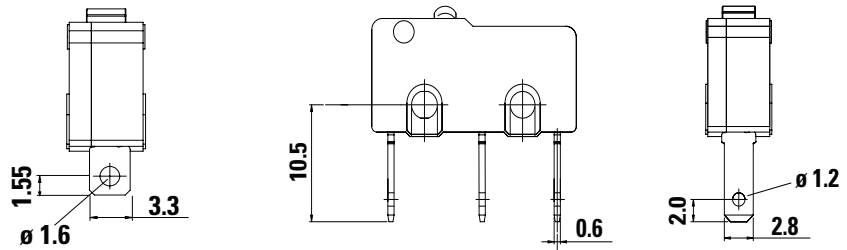
Option Code	A (mm)	B REF (mm)	C (mm)	D (mm)	E (mm)	Diff. Motion mm Max.	Oper. Force grams Max.	Released Force grams Max.	Over-travel Min.
	Length of Lever	Lever Length MTG. Hole to OP	Pre-Travel Max.	Operating Position	Free Position Max.				
P00	-	-	1.1	8.5 ± 0.3	9.3	0.20	150	25	0.40
T05	16.70	4.80	3.60	8.95 ± 0.8	11.75	0.80	50	6	0.60
T06	18.70	6.80	4.03	8.9 ± 0.9	12.09	0.90	45	5	0.67
T09	20.60	8.80	5.64	9.15 ± 1.35	13.45	1.83	33	2	0.75
T12	24.80	12.90	3.35	8.95 ± 1.9	13.1	1.17	34	2	0.89
T16	27.10	15.20	7.20	9.15 ± 1.7	15.15	1.30	40	1	0.70
T18	30.00	18.28	7.70	8.95 ± 1.9	14.65	1.50	32	1	1.20
T21	32.00	20.10	8.00	8.15 ± 1.85	15.55	1.60	35	1	1.00
T23	35.20	23.40	8.60	8.95 ± 2.0	15.55	1.80	25	1	1.50
T36	47.60	35.90	-	-	-	-	-	-	-
T43	55.20	43.50	10.45	8.95 ± 3.0	19.25	2.90	15	1	1.00
S06	17.90	6.00	3.86	10.85 ± 0.9	17.81	0.86	47	5	0.64
S09	21.10	9.00	5.70	16.15 ± 1.5	20.35	1.00	42	2	1.00
A05	16.00	5.00	3.80	14.65 ± 0.8	17.65	0.80	50	6	0.60

### Terminations (mm)

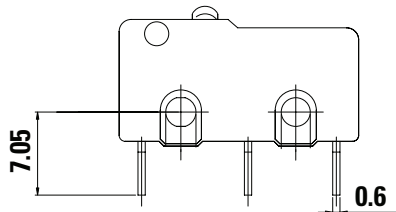
S Solder



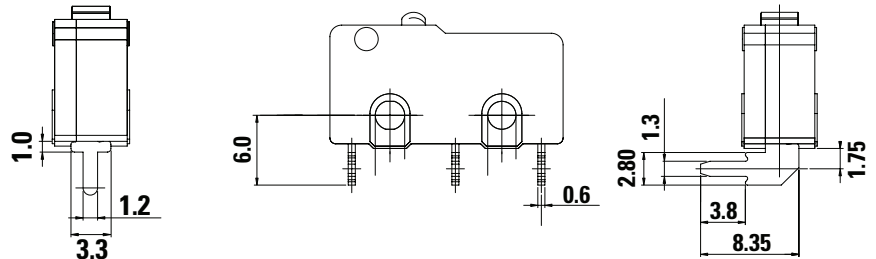
Q Quick Connect



P PC Thru Hole



L Left Form PC

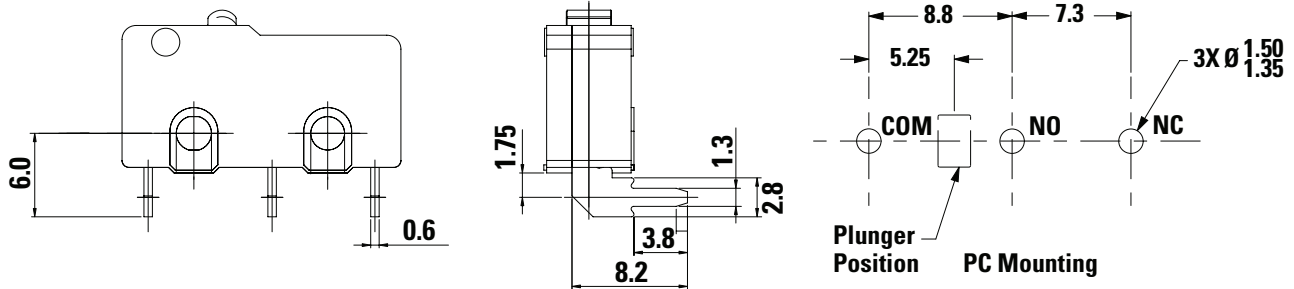


# LCA Series

## Small Size Snap-acting Switches



R Right Form PC



### Circuitry

- C** SPDT (Single Pole, Double Throw)
- W** SPST N.C. (Single Pole, Single Throw Normally Closed)
- Y** SPST N.O. (Single Pole, Single Throw Normally Open)