

SSW Series

Surface Mount Mini Size 2 Pole Snap-acting Switches



Description

The SSW series offers mini size snap-acting switches engineered for automotive, ASIL related applications and safety applications.

Features & Benefits

- Surface mount terminations
- IP67
- Redundant contacts
- Change over time <15ms
- Top and side actuation
- Low acoustics

Applications

- Automotive, ASIL related applications (electronic parking brake, by-wire functions)

Specifications

Function	Momentary action
Contact Arrangement	2 changes over contacts = DPDT
Switching Mode	Non shorting
Terminal	SMD terminals

Mechanical Specifications

Type	Force	Operating life ¹ (cycles)	Travel (mm)
SSW115S01 R370	2.0 +/- 1	Up to 300,000	2.1
Shear Force Resistance	40N		
Side Actuation	cam angle at 40°		

Notes:

1. Under Max. electrical load
This datasheet is describing main product characteristics. It cannot be considered as a contractual document for design in and subject to change without prior notice. We recommend contacting your closest sales representative to obtain contractual specifications. Product compliance to final application requirement remains customer responsibility.

Electrical Specifications

Max. Power	0.36 W
Min. / Max. Voltage	5 V - 18 VDC
Min. / Max. Current	1 mA - 20 mA
Dielectric Strength (50 Hz, 1 min.)	> 250 Vrms
Changeover Time	< 15 ms
Insulation Resistance (100V)	> 100 MΩ
Contact Resistance Initial	100 MΩ

Environmental Specifications

Operating Temperature	-40°C to 85°C
Storage Temperature	
Sealing	IP67

Process

Soldering	Depending on the application, this component is suited to the following methods: Infrared Reflow Soldering in accordance with C&K product specification
Terminals	Silver Plated

Packaging

- Reel containing 370 pieces. Reel dimensions according to EIA RS481. External diameter 380 mm

Materials

Base	PA9T
Cover	
Actuator	
Movable Contact	
Stationary Contacts	
Terminals	Copper alloy, Silver plated

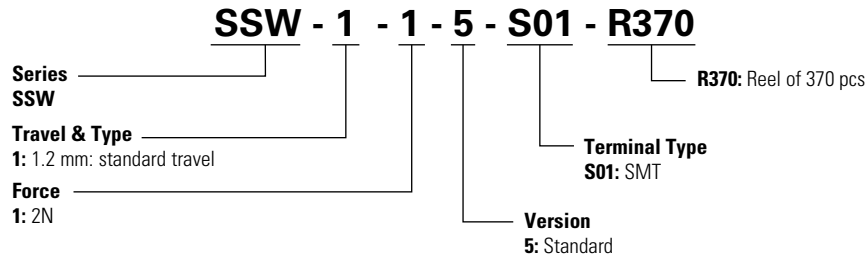
SSW Series

Surface Mount Mini Size 2 Pole Snap-acting Switches



Ordering Number

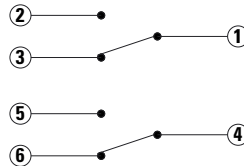
Our easy build-a-switch concept allows you to mix and match options to create the switch you need. To order, select desired option from each category and place it in the appropriate box.



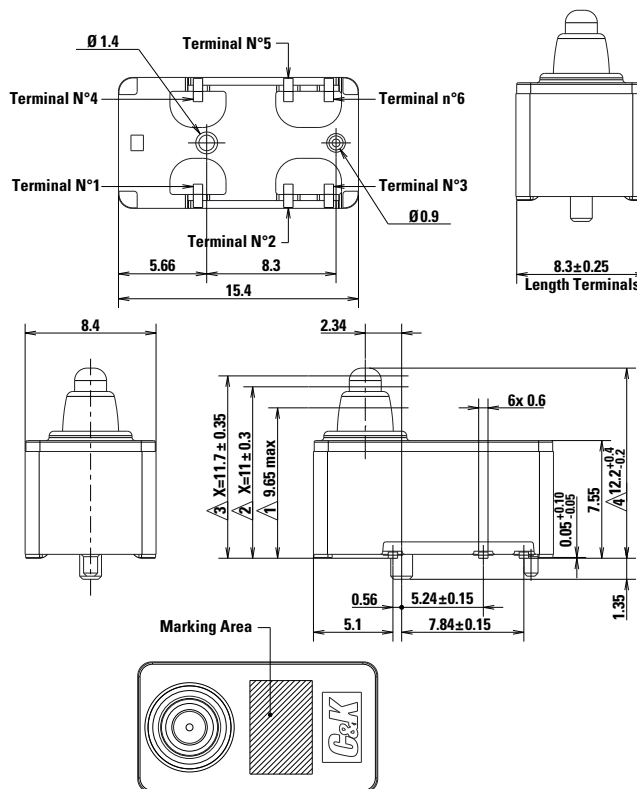
Type Configuration

Type	Actuator Height (mm)	Terminal 1-3 / 4-6 ON Terminal 1-2 / 4-5 OFF (mm)	Terminal 1-3 / 4-6 OFF Terminal 1-2 / 4-5 ON (mm)	Minimum Height (mm)
1	12.2 + 0.4 /- 0.2	11.7 +/- 0.35	11.0 +/- 0.3	9.65

Electrical Arrangement



Dimensions (in mm)

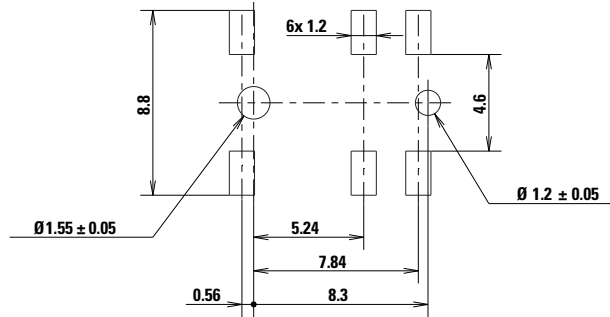


SSW Series

Surface Mount Mini Size 2 Pole Snap-acting Switches

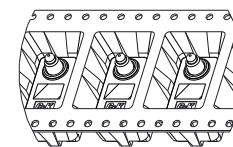
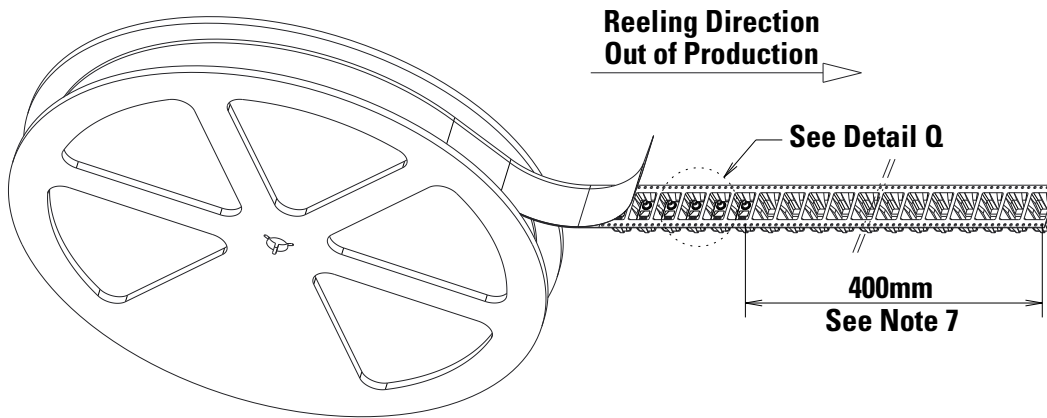


Recommended PCB Layout



Tape and Reel

Packaging of Switches



Detail Q
Scale (1/1)

Notes:

- 5. Quantity per reel 370 pcs.
- 6. Trailer length 160mm (10 cavities).
- 7. Loader Length 400mm (25 cavities).

Disclaimer Notice - Information furnished is believed to be accurate and reliable. However, users should independently evaluate the suitability of and test each product selected for their own applications. Littelfuse products are not designed for, and may not be used in, all applications. Read complete Disclaimer Notice at <http://www.littelfuse.com/disclaimer-electronics>.