

K8 Series

Illuminated SMT Tactile Switch with Dedicated LED



Specifications

Function	Momentary action
Contact Arrangement	1 make control = SPST, N.O.
Terminals	Gullwing type for SMT, 2 terminals for LED
Packaging	In reels of 900 pieces under sealed foil. Dimensions of reels according to EIA RS481 or IEC 2863. External diameter 380 mm.
Illumination Colors	White, blue, pure green, orange, super red. LED technical information available on product specification. For any extra color, please contact your sales representative.

Electrical Characteristics

Max. Power	1.0 VA
Min. / Max. Voltage	20 mV - 32 VDC
Min. / Max. Current	0.1 mA - 50 mA
Dielectric Strength	(50 Hz, 1 min.) ≥ 250 Vrms
Contact Resistance	< 100 m Ω
Insulation Resistance	(100 V, initial stage) $> 10^9 \Omega$
Bounce Time	< 10 ms

Environmental Characteristics

Operating Temperature	-40°C to 85°C
Storage Temperature	-55°C to 85°C

Description

The K8 series lighted SMT tact switch with rugged LED mounting process is perfect for network, medical equipment and automotive applications that need to last a long time while enduring the harshest conditions. The K8 combines consistent LED light output with excellent tactile feel and clear audible haptic confirmation.

Features & Benefits

- Various LED options
- No light perturbation
- Sound haptic
- Various climatic classes

Applications

- Automotive
- Network equipment
- Telecommunications
- Medical equipment
- Industrial controls

Process

Soldering

Compatible with the lead free soldering profile. No washing. MSL Level: 5a

Materials

Contacts

Ag over Ni

Terminals

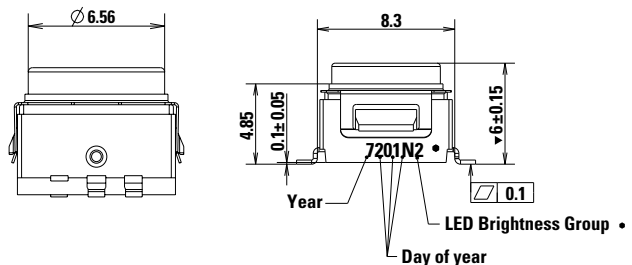
Housing

Thermoplastic UL94 V0

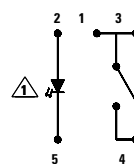
Notes:

The specifications show in the datasheet are for reference only and are not valid for design-in work. Please contact your sales representative to request drawings and product specifications. For systems where reliability and safety are required, please contact your sales representative to secure product integration and function to secure usage.

Dimensions (mm)



ELECTRICAL GRAPH

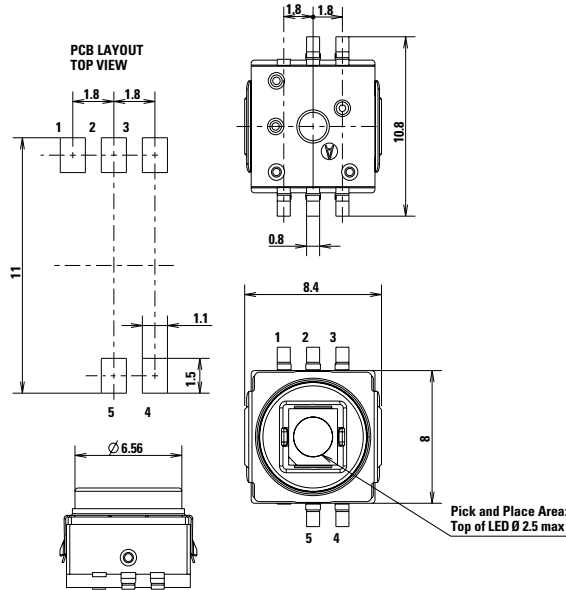


K8 Series

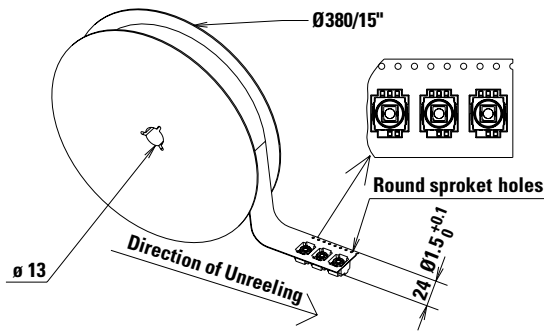
Illuminated SMT Tactile Switch with Dedicated LED



Dimensions (mm)

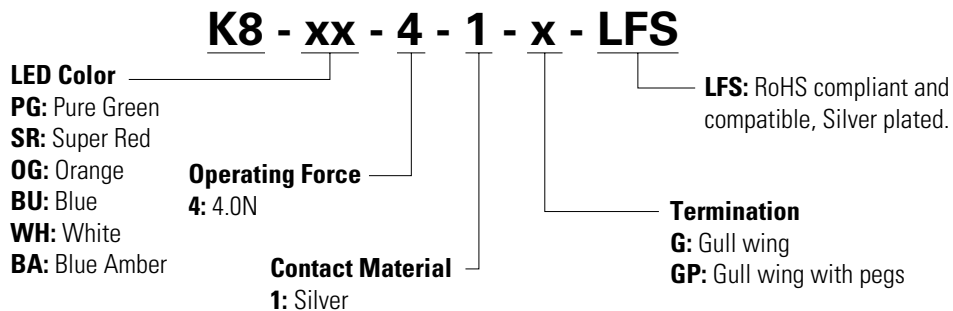


Packaging



Ordering Number

Our easy build-a-switch concept allows you to mix and match options to create the switch you need. To order, select desired option from each category and place it in the appropriate box.



K8 Series

Illuminated SMT Tactile Switch with Dedicated LED



Mechanical Characteristics

Supply status	Littelfuse Orderable Part Number	Description	Contact & Terminals Plating	Termination	Operating Force Fa (Newton)	Operating Life (operations)	Travel (total travel mm)
✓	Y71741134FP	K8BU41G LFS	Silver	Gull Wing	4.0 +/- 1.0	300,000	0.45 (0.95)
✓	Y717411E4FP	K8OG41G LFS	Silver	Gull Wing	4.0 +/- 1.0	300,000	0.45 (0.95)
✓	Y717411F4FP	K8PG41G LFS	Silver	Gull Wing	4.0 +/- 1.0	300,000	0.45 (0.95)
✓	Y717411G4FP	K8SR41G LFS	Silver	Gull Wing	4.0 +/- 1.0	300,000	0.45 (0.95)
✓	Y71741114FP	K8WH41G LFS	Silver	Gull Wing	4.0 +/- 1.0	300,000	0.45 (0.95)
✓	Y717411B4PFP	K8BA41GP LFS	Silver	Gull Wing with Pegs	4.0 +/- 1.0	300,000	0.45 (0.95)
✓	Y717411F4PFP	K8PG41GP LFS	Silver	Gull Wing with Pegs	4.0 +/- 1.0	300,000	0.45 (0.95)

Supply status	Littelfuse Orderable Part Number	Description	Ref LED	Emitted Color	Luminous Intensity (mcd) If = 20 mA		Chromaticity Coordinates or Peak		Forward	
					min	typ	X	Y	min	max
✓	Y71741134FP	K8BU41G LFS	LB T67C-P2R1-35	Blue	56	140	465 mm		3	4.1
✓	Y717411E4FP	K8OG41G LFS	LO T676-R1S2-24	Orange	112	280	610 mm		1.85	2.35
✓	Y717411F4FP	K8PG41G LFS	LPT676-L1M2-25	Pure Green	11.2	28	562 mm		1.8	2.4
✓	Y717411G4FP	K8SR41G LFS	LP T676-Q1R2-1	Super Red	71	180	645 mm		1.8	2.3
✓	Y71741114FP	K8WH41G LFS	LW T67C-S2U1-5K8L	White	224	560	0.33 mm		3	4.1
✓	Y717411B4PFP	K8BA41GP LFS	Y710C51000P	Blue & Amber	400	400	470 mm	605 mm	3.4	2.4
✓	Y717411F4PFP	K8PG41GP LFS	Y710F51000P	Pure Green	28	28	562 mm		2.4	

Notes:

Supply status: ✓ : Available for ordering.

Liability Limitation

This datasheet does not provide enough information for applications that require a certain level of quality or safety such as automotive, medical systems, or safety equipment. Please contact customer service for the contractual specification package.

Disclaimer Notice - Information furnished is believed to be accurate and reliable. However, users should independently evaluate the suitability of and test each product selected for their own applications. Littelfuse products are not designed for, and may not be used in, all applications. Read complete Disclaimer Notice at <http://www.littelfuse.com/disclaimer-electronics>.