

KMR8 Series

Micro Miniature Tactile Switch for SMT 4.6 x 2.8 mm, with 1.9 mm Height Hard Actuator



Description

The KMR8 series microminiature SMT top actuated is a hard actuator switch with 3 actuation forces. It gives users an excellent tactile feeling and its durability makes it ideal for industrial, medical and automotive applications that must endure harsh environments.

Features & Benefits

- Small footprint
- Excellent tactile feel
- 3 actuation forces
- Hard actuator

Applications

- Transportation
- Industrial electronics
- Mobile phones
- Medical equipment

Specifications

Function	Momentary action
Contact Arrangement	1 make contact = SPST, N.O.
Terminals	Gullwing type for SMT
Sealing	IP40 for switches with Ground Pin ("G"), IP67 for switches without Ground Pin ("NG")

Electrical Characteristics

	Silver	
Max. Power	1 VA	
Max. Voltage	32 VDC	
Min. Voltage	20 mVDC	
Max. Current	50 mA	
Min. Current	1 mA ¹	
Dielectric Strength	≥ 250 Vrms	
Contact Resistance	≤ 100 mΩ	
Insulation Resistance	≥ 1 GΩ	
Bounce Time	≤ 3 ms	

Environmental Characteristics

Operating Temperature	-40°C to 85°C	-40°C to 125°C
Storage Temperature	-55°C to 85°C	-55°C to 125°C

Process

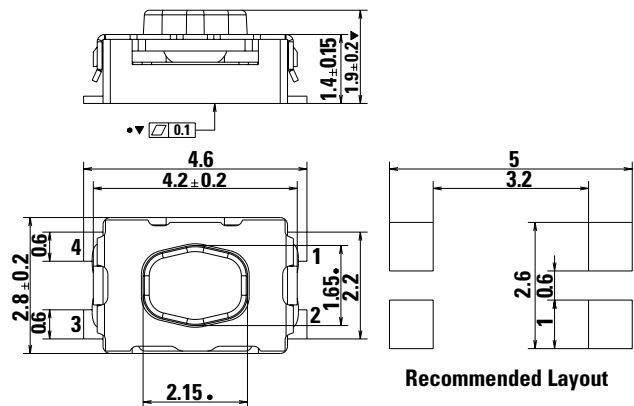
Soldering	Lead free reflow soldering process in accordance with IEC 61760-1.
------------------	--

Notes

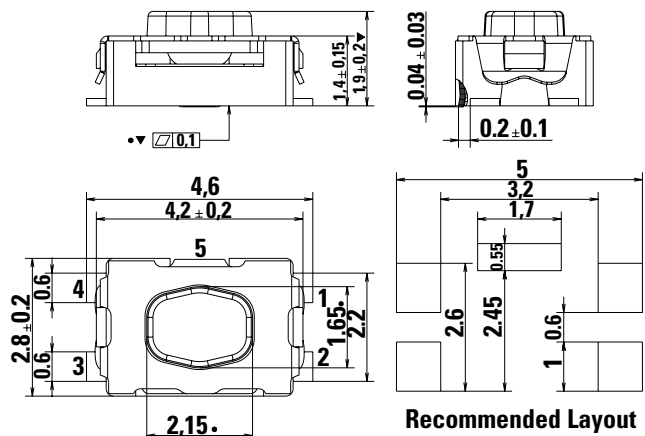
1. For ULC version minimum current is 1µA at 1.8 VDC
 2. Specifications listed above are for switches with standard options.
- For information on specific and custom switches, consult Customer Service Center.

Dimensions (mm)

NG - No Ground Pin



G - Ground Pin



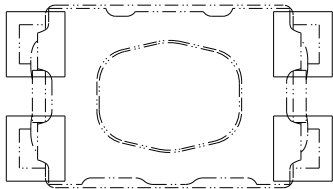
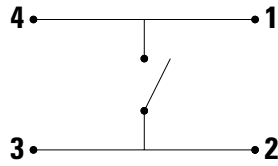
KMR8 Series

Micro Miniature Tactile Switch for SMT 4.6 x 2.8 mm, with 1.9 mm Height Hard Actuator



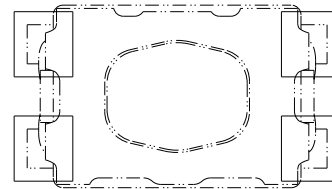
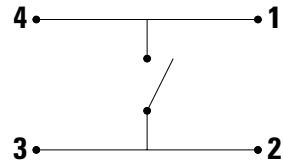
NG Terminations (mm)

Electrical Diagram

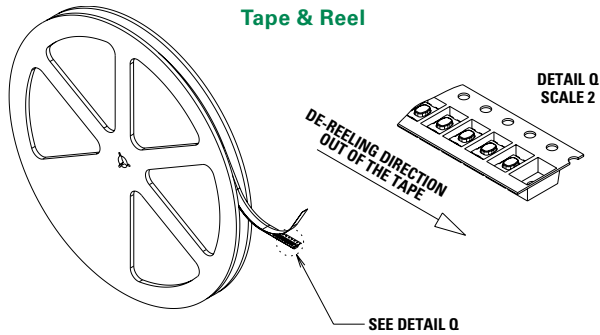


G Terminations (mm)

Electrical Diagram



Tape & Reel



Packaging Details

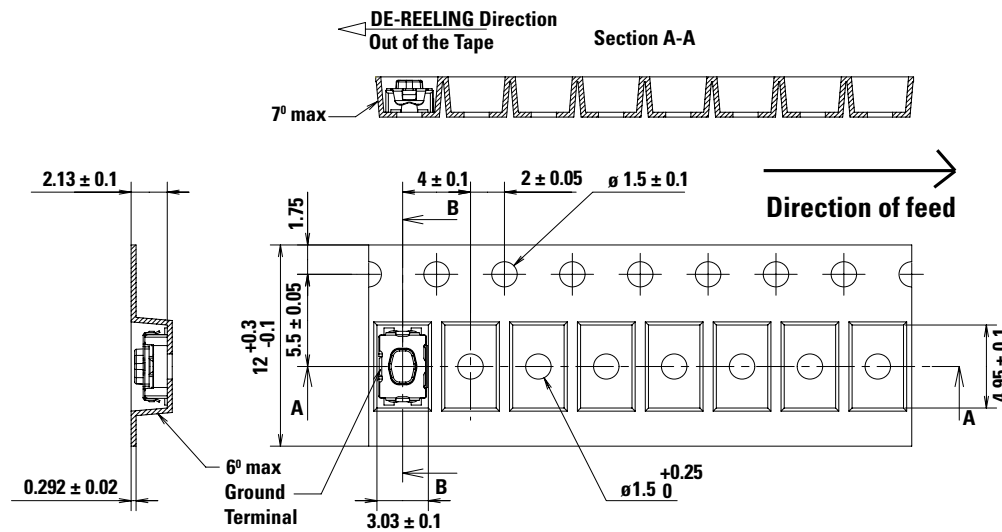
Type	Tape & reel
Number of Parts in Packaging	7,000
Other information	Tape and reel per EIA 481, External diameter 330 mm ± 2mm
Transport Conditions	According to specification NF H00-060

KMR8 Series

Micro Miniature Tactile Switch for SMT 4.6 x 2.8 mm, with 1.9 mm Height Hard Actuator

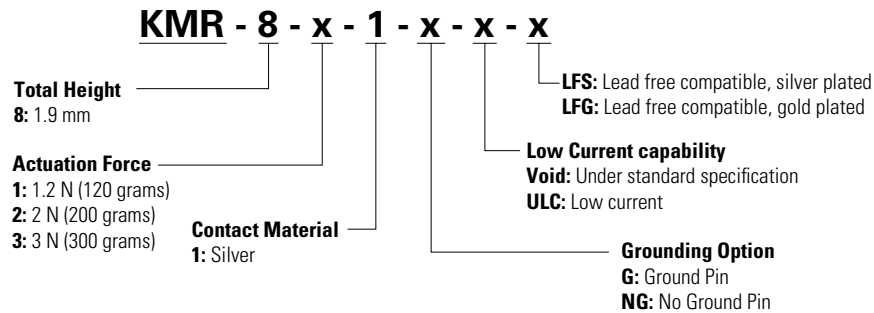


Tape & Reel



Ordering Number

Our easy build-a-switch concept allows you to mix and match options to create the switch you need. To order, select desired option from each category. However, please note that not all combinations of these options are feasible. For any part number different from those listed below, please consult your local representative



Mechanical Characteristics

Supply Status	LITTELFUSE Orderable Part Number	Description	Contact & Terminals Plating	Ground Pin	Operating Force Fa (Newtons)	Tactile ratio (Min)	Operating Life (operations)	Electrical Travel (mm)
	Y78C81110FP	KMR811G LFS	Silver	Yes	1.3±0.3 N	Min 20%	200,000	0.2±0.1
✓	Y78C83110FP	KMR831G LFS	Silver	Yes	3±0.75	Min 30%	150,000	0.2±0.1
✓	Y78B83124FP	KMR831NG ULC LFS	Silver	No	3±0.75	Min 30%	150,000	0.2±0.1

Notes: Supply status: ✓ Available for ordering;
 ORO: Available On Request Only. Please contact your Littelfuse representative for details.

Liability Limitation

This datasheet does not provide enough information for applications that require a certain level of quality or safety such as automotive, medical systems, or safety equipment. Please contact customer service for the contractual specification package.

Disclaimer Notice - Information furnished is believed to be accurate and reliable. However, users should independently evaluate the suitability of and test each product selected for their own applications. Littelfuse products are not designed for, and may not be used in, all applications. Read complete Disclaimer Notice at <http://www.littelfuse.com/disclaimer-electronics>.

