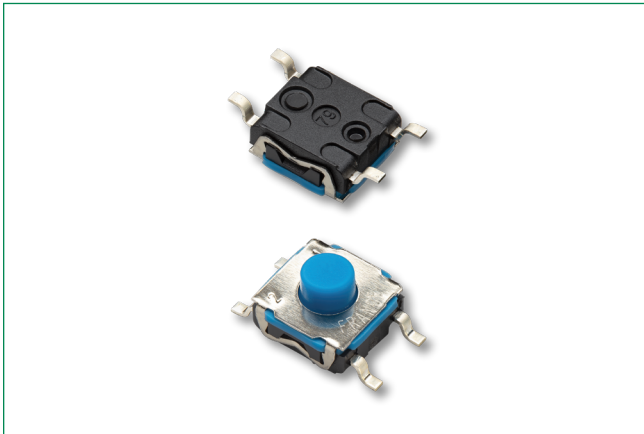


KSC7 Series

Sealed Tactile Switch for SMT 6.2 x 6.2 mm, with 4.4 mm Height
Soft Actuator



Specifications

Function	Momentary action
Contact Arrangement	1 make contact = SPST, N.O.
Terminals	J bend & Gullwing type for SMT
Sealing	IP67

Electrical Characteristics

Dielectric Strength (50 Hz, 1 min.)	≥ 250 Vrms	
Contact Resistance	≤ 100mΩ	
Insulation Resistance (100 V)	≥ 1000 M Ω	
Bounce Time	≤ 1 ms	
	Silver	Gold
Maximum Power	1 VA	0.2 VA
Maximum Voltage	32 VDC	32 VDC
Minimum Voltage	20 mV	20 mV
Maximum Current	50 mA	10 mA
Minimum Current	1 mA	0.1 mA

Description

The KSC7 series of sealed tactile switches for SMT are IP67 rated, 4.4 mm high momentary action tactile switches, featuring a soft actuator. The switches are available with a variety of operating forces and in a range of electrical lifespans, depending on model. The KSC7 series are designed to give users a good tactile feeling, perfect for industrial, consumer, automotive and remote control applications due to the long lifecycle and durability.

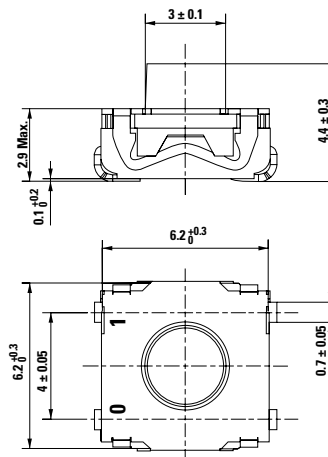
Features & Benefits

- Positive adaptable tactile feeling
- J and G terminations
- Soft actuator 4.4mm high
- IP67
- RoHS and REACH compliant
- Compatible with lead free reflow soldering process of SMT devices

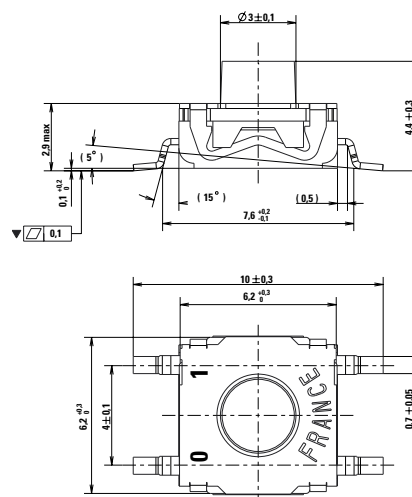
Applications

- Industrial electronics
- Consumer products
- Remote controls
- Transportation
- Medical

Dimensions (mm) J Termination



Dimensions (mm) G Termination

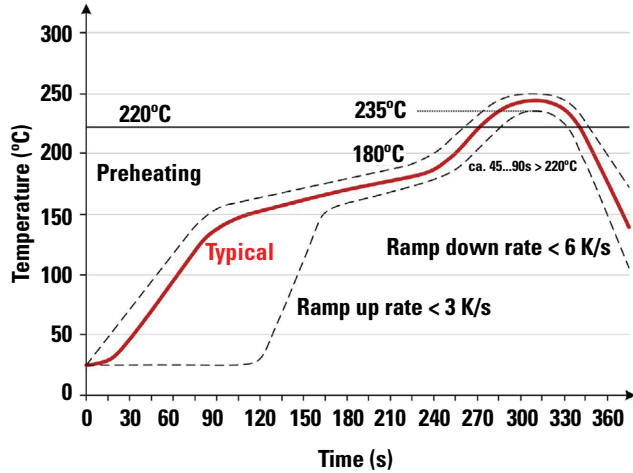


KSC7 Series

Sealed Tactile Switch for SMT 6.2 x 6.2 mm, with 4.4 mm Height Soft Actuator



Soldering Profile

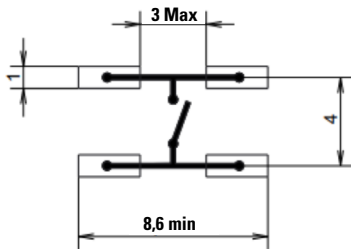


Note: Up to 2 reflow cycles in accordance with the above temperature profile

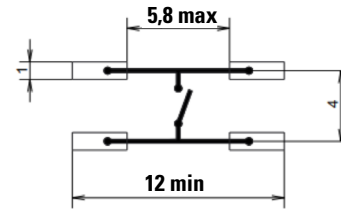
Soldering process: Depending on the application, this component is suited to the following methods:

- Terminals being silver or gold plated over a nickel barrier, the use of slightly activated flux is suitable.
- Lead free soldering process in accordance with the definition on the left.

J Terminations (mm)



G Terminations (mm)

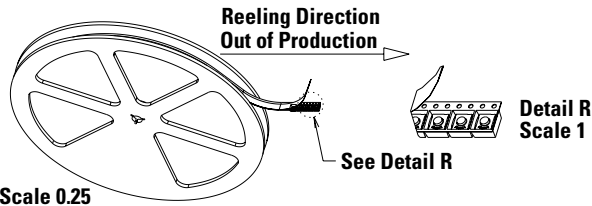


KSC7 Series

Sealed Tactile Switch for SMT 6.2 x 6.2 mm, with 4.4 mm Height Soft Actuator



Tape & Reel

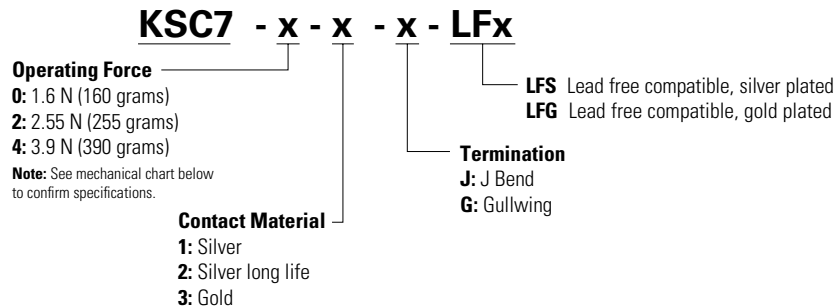


Packaging Details

Type	Tape & reel
Number of Parts in Packaging	1,000
Other Information	Tape and reel per EIA 481, External diameter 330 ± 2 mm
Transport Conditions	According to specification NF H00-060

Ordering Number

Our easy build-a-switch concept allows you to mix and match options to create the switch you need. To order, select desired option from each category and place it in the appropriate box. For any part number different from those listed below, please consult your local representative.



Mechanical Characteristics

Supply status	Littelfuse Orderable Part Number	Description	Contact & Terminals Plating	Terminals	Operating Force Fa (Newton)	Tactile ratio (Min)	Operating Life (operations)	Electrical Travel (mm)
✓	Y31A01477FPLFS	KSC701G LFS	Silver	G	1.6±0.6	Min 10%	5,000,000	0.3±0.2
✓	Y31A01473FPLFS	KSC701J LFS	Silver	J	1.6±0.6	Min 10%	5,000,000	0.3±0.2
✓	Y31A03477FPLFG	KSC703G LFG	Gold	G	1.6±0.6	Min 10%	5,000,000	0.3±0.2
✓	Y31A21477FPLFS	KSC721G LFS	Silver	G	2.25±0.55	Min 7%	300,000	0.3±0.15
✓	Y31A21473FPLFS	KSC721J LFS	Silver	J	2.25±0.55	Min 7%	300,000	0.3±0.15
✓	Y31A23473FPLFG	KSC723J LFG	Gold	J	2.25±0.55	Min 7%	300,000	0.3±0.15
✓	Y31A41477FPLFS	KSC741G LFS	Silver	G	3.9±1	Min 16%	300,000	0.4±0.2
✓	Y31A41473FPLFS	KSC741J LFS	Silver	J	3.9±1	Min 16%	300,000	0.4±0.2
✓	Y31A72477FPLFS	KSC742G LFS	Silver	G	3.5±0.9	Min 15%	1,000,000	0.45±0.25
✓	Y31A43477FPLFG	KSC743G LFG	Gold	G	3.9±1	Min 16%	300,000	0.4±0.2
✓	Y31A43473FPLFG	KSC743J LFG	Gold	J	3.9±1	Min 16%	300,000	0.4±0.2

Notes: Supply status: ✓: Available for ordering.

Liability Limitation

This datasheet does not provide enough information for applications that require a certain level of quality or safety such as automotive, medical systems, or safety equipment. Please contact customer service for the contractual specification package.

Disclaimer Notice - Information furnished is believed to be accurate and reliable. However, users should independently evaluate the suitability of and test each product selected for their own applications. Littelfuse products are not designed for, and may not be used in, all applications. Read complete Disclaimer Notice at <http://www.littelfuse.com/disclaimer-electronics>.