

MD & MDP Series

Sealed Tactile Switch



Specifications

Function	Momentary action
Contact Type	Normally open - SPST
Terminals	Through hole PCB terminations

Environmental & Electrical Characteristics

	Silver	Gold
Operating Temperature	-25°C to 70°C	-55°C to 85°C
Max. Power	1.0 VA	0.2 VA
Min./Max. Voltage	20m VDC - 100 VDC	
Min./Max. Current	1 mA to 100 mA	50µA to 50 mA
Dielectric Strength	≥ 250 Vrms	
Contact Resistance	≤ 100 mΩ	
Insulation Resistance	Initial measurement ≥ 1 GΩ After damp heat ≥ 10 MΩ	
Bounce Time	≤ 3 ms	

Description

Aircraft instruments and panels need to be reliable and long-lasting. That's why so many designers in the industry turn to the MD series of short travel, self-cleaning keyswitches. Available in two actuator forces, the MD sealed tactile switch series are built to give end-users an excellent tactile feel every time. MDP keyswitches are perfect to give aircraft instruments, radio equipment, and panels the high-performing, long-lasting switches they need. MDP sealed tact switches are self-cleaning, available in two actuator forces, and perfect for short travel applications.

Features & Benefits

- Short travel
- Good tactile feedback
- Self cleaning
- 2 actuator materials
- RoHS

Applications

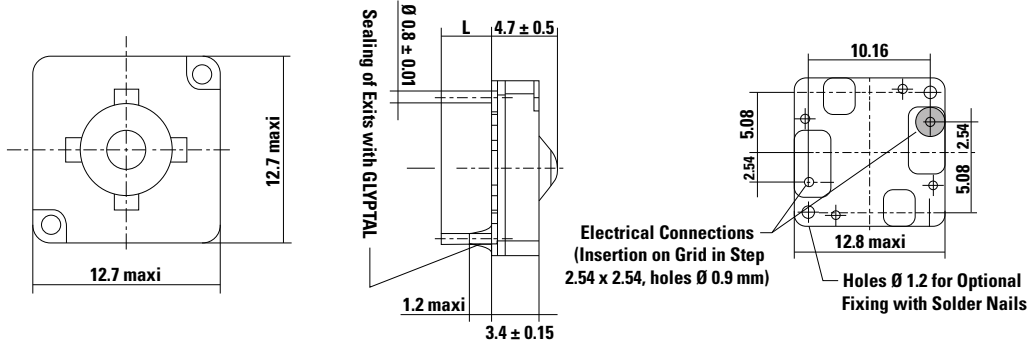
- Aircraft
- Instrument
- Panels
- Radio equipment

MD & MDP Series

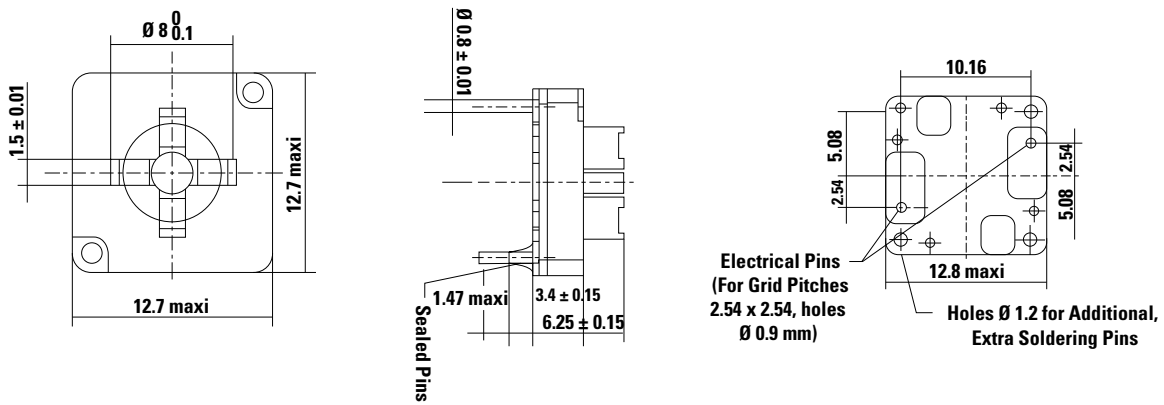
Sealed Tactile Switch



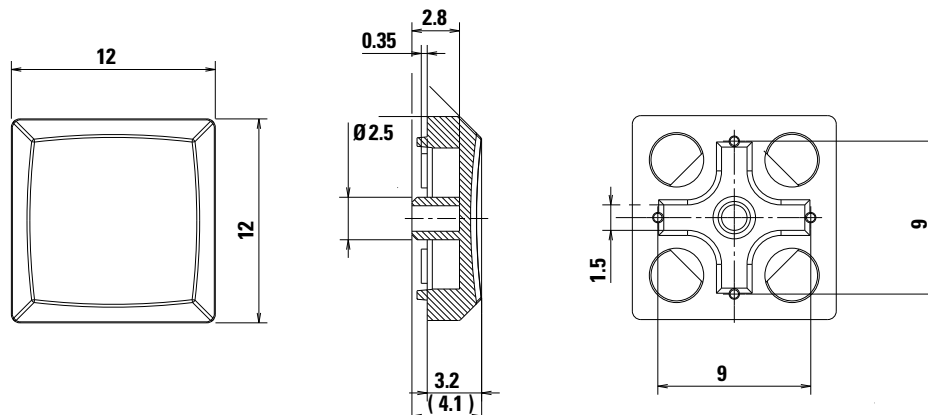
MD



MDP



MDP button



MD & MDP Series

Sealed Tactile Switch



Ordering Number

Our easy build-a-switch concept allows you to mix and match options to create the switch you need. To order, select desired option from each category and place it in the appropriate box.



Mechanical Characteristics

Supply Status	Littelfuse Orderable Part Number	Description	Contact Material	Terminals	Operating Force Fa (Newtons)	Tactile ratio (Min)	Operating Life (Operations)	Electrical Travel (mm)	Actuator
✓	Y65A00021FPLFS	MDS LFS	Silver	Silver	2.4±0.6	Min 15%	1,000,000	0.95±0.35	Soft Actuator
✓	Y65A00023FPLFS	MDG LFS	Gold	Silver	2.4±0.6	Min 15%	1,000,000	0.95±0.35	Soft Actuator
✓	Y65A00221FPLFS	MD S SG LFS	Silver	Silver	2.4±0.6	Min 15%	1,000,000	0.95±0.35	Soft Actuator
✓	Y65A00223FPLFS	MD G SG LFS	Gold	Silver	2.4±0.6	Min 15%	1,000,000	0.95±0.35	Soft Actuator
✓	Y65A00303FPLFS	MDPS LFS	Silver	Silver	2.4±0.65	Min 25%	200,000	0.4±0.25	Hard Actuator
✓	Y65A00304FPLFS	MDPG LFS	Gold	Silver	2.4±0.65	Min 25%	200,000	0.4±0.25	Hard Actuator
✓	Y65A00503FPLFS	MDP S SG LFS	Silver	Silver	2.4±0.65	Min 25%	200,000	0.4±0.25	Hard Actuator
✓	Y65A00504FPLFS	MDP G SG LFS	Gold	Silver	2.4±0.65	Min 25%	200,000	0.4±0.25	Hard Actuator

Supply Status	Littelfuse Orderable Part Number	Description	Button Color
✓	Y651050800P	BTN MDP 00	White
✓	Y651050400P	BTN MDP 10	Dark grey
✓	Y651050300P	BTN MDP 20	Light grey
ORO	Y651051700P	BTN MDP 30	Yellow
✓	Y651050100P	BTN MDP 40	Red
✓	Y651050900P	BTN MDP 50	Green
✓	Y651050200P	BTN MDP 60	Blue
✓	Y651050500P	BTN MDP 80	Ivory
✓	Y651050600P	BTN MDP 90	Black

Notes: Supply status: ✓ : Available for ordering;
 ORO : Available On Request Only. Please contact your Littelfuse representative for details.

Liability Limitation

This datasheet does not provide enough information for applications that require a certain level of quality or safety such as automotive, medical systems, or safety equipment. Please contact customer service for the contractual specification package.

Disclaimer Notice - Information furnished is believed to be accurate and reliable. However, users should independently evaluate the suitability of and test each product selected for their own applications. Littelfuse products are not designed for, and may not be used in, all applications. Read complete Disclaimer Notice at <http://www.littelfuse.com/disclaimer-electronics>.