

SFS Series

Mid-Travel, Soft Sound Tactile Switch



Specifications

Function	Momentary action
Contact Arrangement	1 make contact = SPST N.O.
Terminals	Gold plating, G type for SMT and THT for manual soldering

Electrical Characteristics

Max. Voltage	35 VDC
Max. Current DC	100 mA
Max. Power DC	1 W
Contact Resistance	100 mΩ
Insulation Resistance	1000 MΩ Min.
Dielectric Voltage	< 0.5 mA

Environmental Characteristics

Operating Temperature	-40°C to 90°C
Storage Temperature	-40°C to 80°C

Description

SFS, the mid-travel and soft sound tactile solution, construction with standard overall dimension 12 x 12 mm with 3.6N, 6.8N, 9.0N & 13.5N version options.

Features & Benefits

- Construction with standard dimension 12x12 mm overall size
- Gold plating contacts
- SMT termination design
- Unique click & a sealed contact system
- 3.6N, 6.8N, 9.7N & 13.5N versions

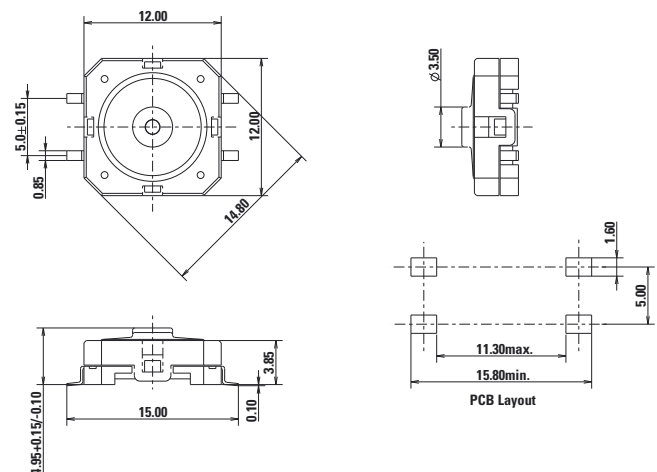
Applications

- Measurement-control-regulation
- Monitoring system
- Automotive (steering wheel, mid-console, window lifter)
- Navigation
- Disposable medical devices
- Patient monitoring
- Scan system

Process

Soldering	This component is suited to the following methods: Infrared Reflow Soldering in accordance with J-STD-020
Packaging	700 pieces per reel, 58 pieces per tube

SFS12XSMTX LFS Drawings and Dimensions

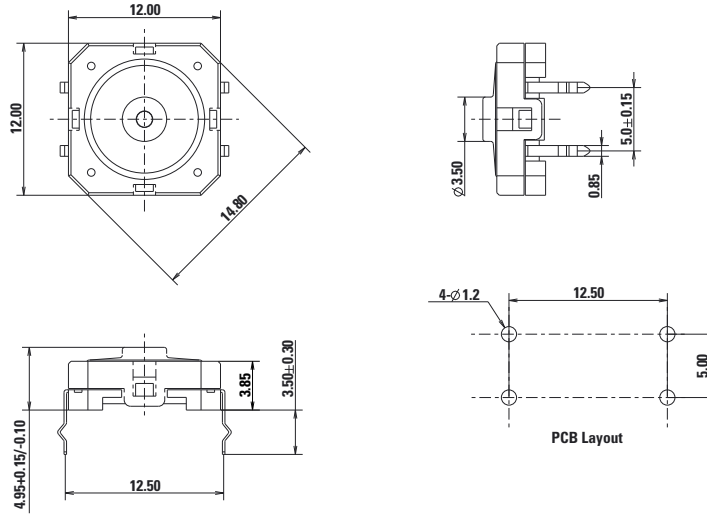


SFS Series

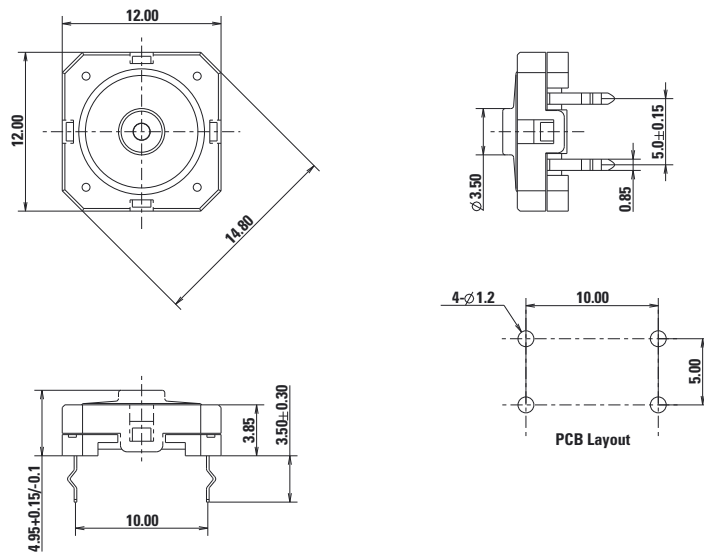
Mid-Travel, Soft Sound Tactile Switch



SFS12XS2T LFS Drawings and Dimensions



SFS12XS1T LFS Drawings and Dimensions

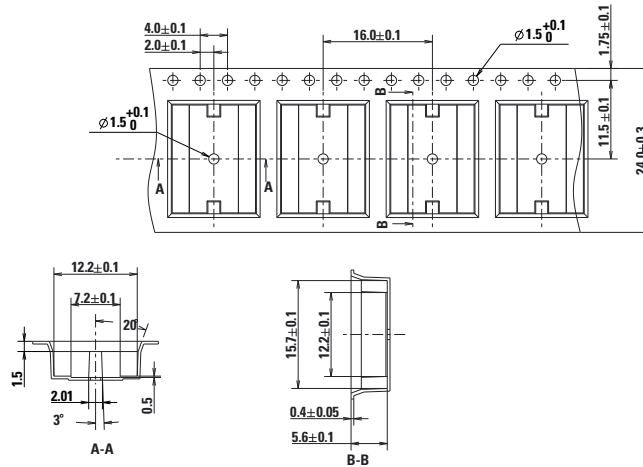


SFS Series

Mid-Travel, Soft Sound Tactile Switch

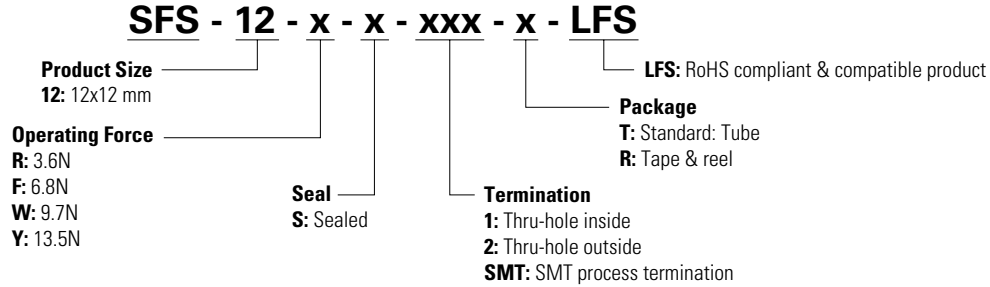


Tape & Reel



Ordering Number

Our easy build-a-switch concept allows you to mix and match options to create the switch you need. To order, select desired option from each category and place it in the appropriate box. For any part number different from those listed above, please consult your local representative.



Mechanical Characteristics

Supply Status*	Littelfuse Orderable Part Number	Description	Contact Plating	Terminals Plating	Terminals	Operating Force Fa (Newtons)	Operating Life (operations)	Electrical Travel (mm)	Actuator Color
✓	SFS120002	SFS12FSSMTR LFS	Gold	Silver	SMT Gull Wing	6.8 +/- 1.6	300,000	0.7 +/- 0.2	Red
✓	SFS120001	SFS12RSSMTR LFS	Gold	Silver	SMT Gull Wing	3.6 +/- 0.7	300,000	0.6 +/- 0.2	Red
✓	SFS120003	SFS12WSSMTR LFS	Gold	Silver	SMT Gull Wing	9.7 +/- 2.5	300,000	0.8 +/- 0.2	Red
✓	G01743323	SFS12YSSMTR LFS	Gold	Silver	SMT Gull Wing	13.5 +/- 2.5	300,000	1.0 +/- 0.2	Transparent

Notes:
Supply status:
✓: Available for ordering.

Disclaimer Notice - Information furnished is believed to be accurate and reliable. However, users should independently evaluate the suitability of and test each product selected for their own applications. Littelfuse products are not designed for, and may not be used in, all applications. Read complete Disclaimer Notice at <http://www.littelfuse.com/disclaimer-electronics>.