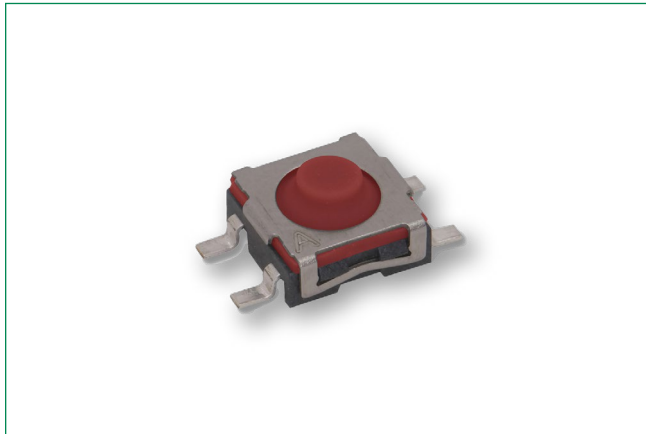


# TLSM Series

## 6 mm Compact Top Mount Endurance SMT Tactile Switch



### Description

TLSM 6 mm compact top mount endurance SMT tactile switch is a new addition offering outstanding long life for its size with SPDT solution, meeting the needs in industrial, elevator and gaming applications. TLSM series has a 6.0 × 6.1 mm compact size and low profile at 3.45 mm product height. The switch offers 2N operating force, 0.3 mm travel and 2M long life cycles.

### Features & Benefits

- 6.0 x 6.1 mm dimension
- Height 3.45 mm
- Soft actuator
- Long life - 2M cycles
- IP54

### Applications

- Elevator button & alarm
- Robotic vacuum
- Door handle
- Mower

### Specifications

Function	Momentary action
Contact Arrangement	SPDT, NC
Terminals	SMT termination
Travel	0.3 ± 0.2 mm

### Mechanical Characteristics

Operating Life	2,000,000 Cycles
----------------	------------------

### Electrical Characteristics

Voltage	DC 1V to 16V
Current	10µA to 50mA
Contact Resistance	200 mΩ max. 500 mΩ max. After testing
Insulation Resistance	100 MΩ min.
Dielectric Voltage	AC 250V

### Environmental Characteristics

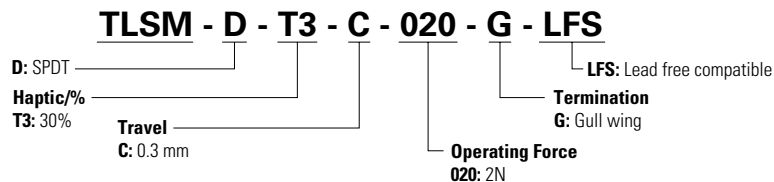
Operating Temperature	-40°C to 90°C
Storage Temperature	

### Process

Soldering	This component is suited to the following methods: Infrared Reflow Soldering in accordance with IEC61760-1
Packaging	1,100 pieces per reel

### Ordering Number

Our easy build-a-switch concept allows you to mix and match options to create the switch you need. To order, select desired option from each category and place it in the appropriate box. For any part number different from those listed above, please consult your local representative.

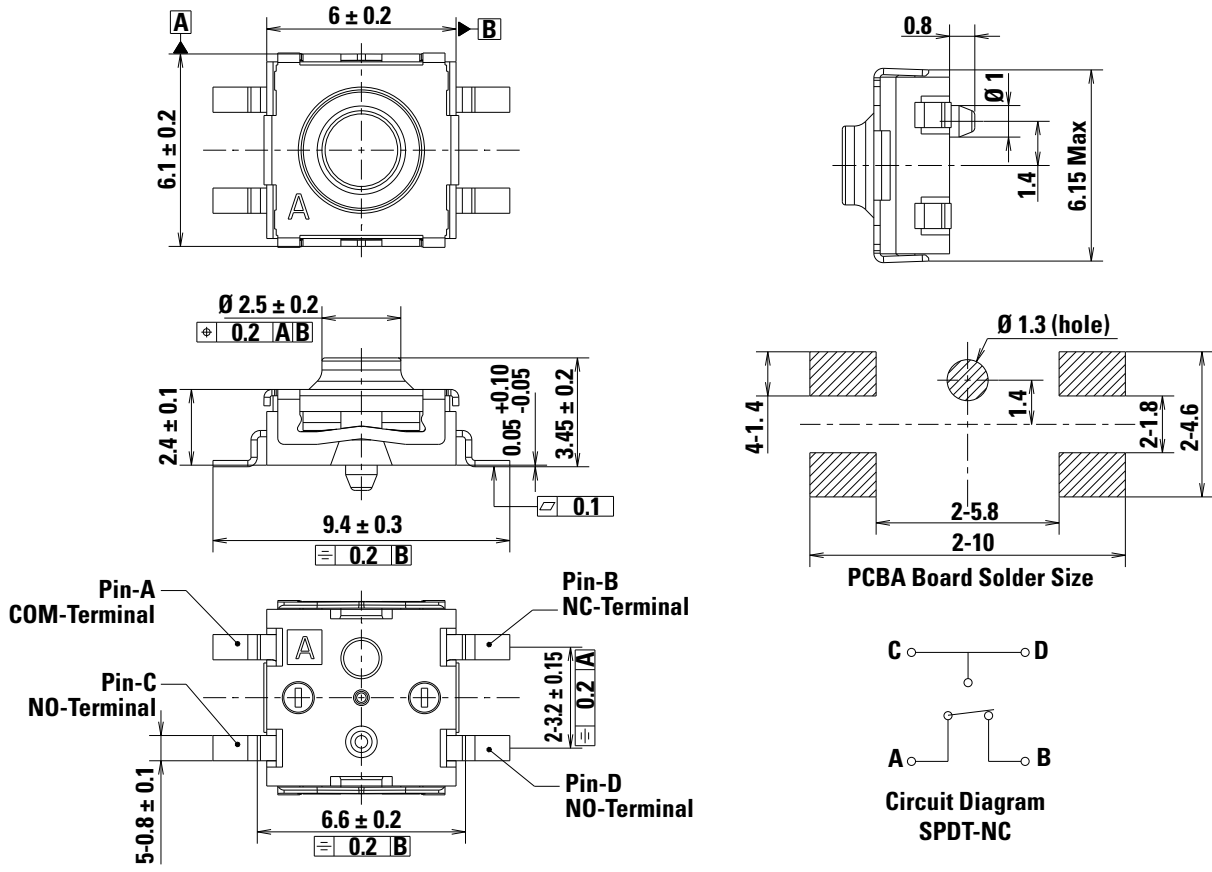


# TLSM Series

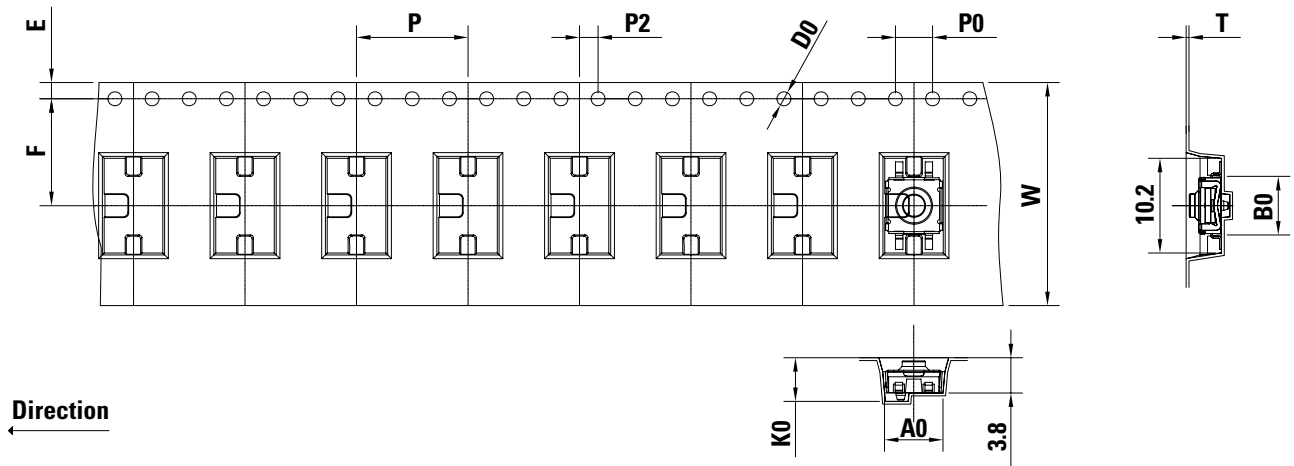
## 6 mm Compact Top Mount Endurance SMT Tactile Switch



### TLSM Drawings and Dimensions



### Tape & Reel



**Disclaimer Notice** - Information furnished is believed to be accurate and reliable. However, users should independently evaluate the suitability of and test each product selected for their own applications. Littelfuse products are not designed for, and may not be used in, all applications. Read complete Disclaimer Notice at <http://www.littelfuse.com/disclaimer-electronics>.