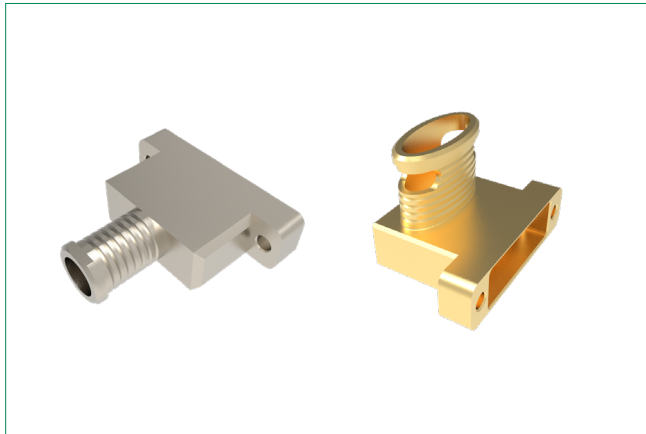


# MDM Backshell Series

ESA/ESCC Certified  
ESAQ Backshell for Micro-D Connectors



### Electrical & Mechanical Characteristics

Characteristic	Specification
Operating Temperature Range	-55 / +125°C
Storage Temperature Range	-55 / +125°C

### Specifications

<b>Quality Level</b>	ESA / ESCC: code 3401 (Flying model). Qualification reviewed every 2 years.
<b>Option</b>	Male screwlock with clip (be ordered separately).
<b>Packaging</b>	Individual packaging. Traceability associated as per ESA/ESCC specifications

### Description

High performance Micro-D Lightweight Backshell ESA qualified, for space applications. Compliant with ESCC specifications 3401/087 Lightweight Backshells for 3401/029 and 3401/077 Micro-D Connectors. Compatible with ESCC 3401/032 accessories. Suitable for use in Space, and high performance military/aerospace applications: Board to Cable or Cable to Cable applications. Sizes available: 9, 15, 21, 25, 31, 37 and 51, 51-2R ways. Outlets: top circular, top elliptical, 45° circular, 45° elliptical, 45° Dual Top Circular, 90° Front Circular Entry, 90° Front Elliptical Entry, Closed Shorting Can, 45° Front Elliptical Entry

### Features and Benefits

- Flight and Engineering models available
- Lightweight versions
- Sizes 9, 15, 21, 25, 31, 37, 51, 51-2R
- Machined backshell
- Male screw lock be ordered separately

### Applications

- Space equipments
- Satellites harnesses
- Engineering
- Military and Avionics

### Associated Products

- MDM Connector
- MDMA - MDMB Connector
- MDM Jackscrew

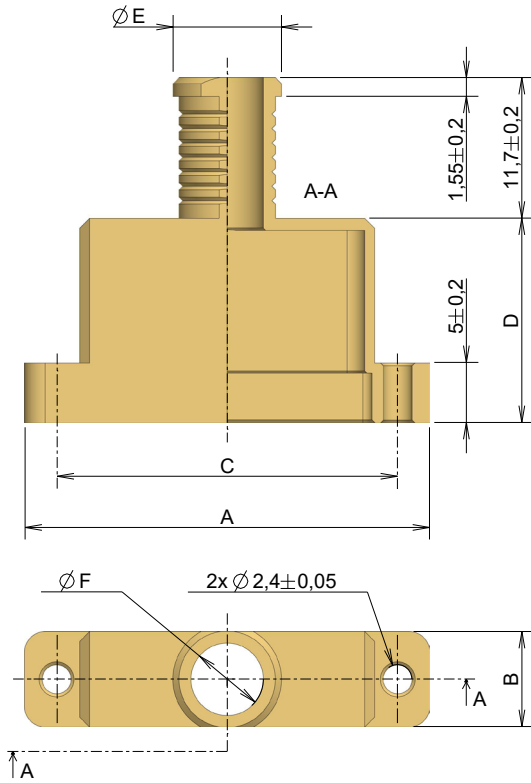
Component	Material	Finish
Backshell ESCC Variants 01 to 07, 15 to 21, 29 to 35, 43 to 49, 73, 75, 77, 79, 81 to 88, 97 to 104, 113 to 120, 129 to 136, 145 to 152	Alluminum Alloy 6061-T6	25.4µm min. electroless Nickel
Backshell ESCC Variants 08 to 14, 22 to 28, 36 to 42, 50 to 56, 74, 76, 78, 80, 89 to 96, 105 to 112, 121 to 128, 137 to 144, 153 to 160	Alluminum Alloy 6061-T6	0.7µm min. Gold over 25.4µm min. electroless Nickel
Male Screwlock	Passivated Stainless Steel	None
Clip	Passivated Stainless Steel	None

# MDM Backshell Series

ESA/ESCC Certified  
ESAQ Backshell for Micro-D Connectors

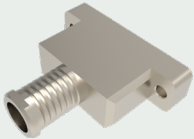
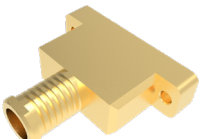
## MDM Lightweight Backshell Top Circular Entry

### Dimensions and Weight



Size	A $\pm 0.2$	B $\pm 0.2$	C $\pm 0.1$	D $\pm 0.2$	$\text{ØE}$ $\pm 0.2$	$\text{ØF}$ $\pm 0.2$	Weight (grams)
9	19.65	7.90	14.35	10.00	9.00	6.00	3
15	23.45	7.90	18.16	12.00	9.00	6.00	3
21	27.25	7.90	21.97	14.00	9.00	6.00	4
25	29.80	7.90	24.51	16.00	9.00	6.00	4
31	33.60	7.90	28.32	17.00	9.00	6.00	5
37	37.40	7.90	32.13	18.00	9.00	6.00	5
51-2R	46.35	7.90	41.02	22.00	9.00	6.00	7
51	36.15	8.90	30.86	19.00	10.00	7.00	6

### Description and Part Numbers

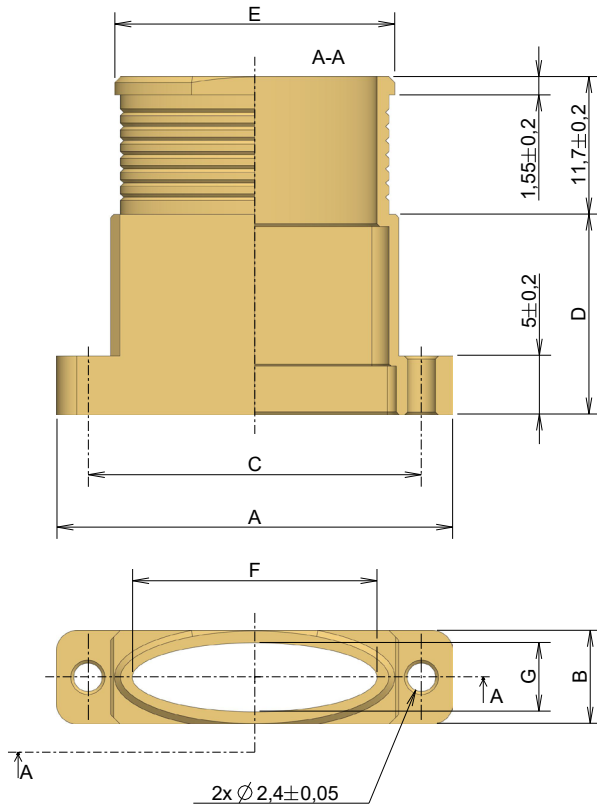
Shell Finish	Contact Size	ESA/ESCC Description	C&K PN
 Electroless Nickel	9	340108701B	C115366-1032D
	15	340108702B	C115366-1033D
	21	340108703B	C115366-1034D
	25	340108704B	C115366-1035D
	31	340108705B	C115366-1036D
	37	340108706B	C115366-1037D
	51-2R	340108773B	C115366-1917D
	51	340108707B	C115366-1038D
 Gold	9	340108708B	C115366-1032C
	15	340108709B	C115366-1033C
	21	340108710B	C115366-1034C
	25	340108711B	C115366-1035C
	31	340108712B	C115366-1036C
	37	340108713B	C115366-1037C
	51-2R	340108774B	C115366-1917C
	51	340108714B	C115366-1038C

# MDM Backshell Series

ESA/ESCC Certified  
ESAQ Backshell for Micro-D Connectors

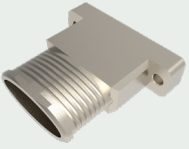
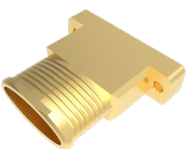
## MDM Lightweight Backshell Top Elliptical Entry

### Dimensions and Weight



Size	A ±0.2	B ±0.2	C ±0.1	D ±0.2	E ±0.2	F ±0.2	G ±0.2	Weight (grams)
9	19.65	7.90	14.35	10.00	10.90	7.90	6.00	3
15	23.45	7.90	18.16	12.00	13.70	10.70	6.00	4
21	27.25	7.90	21.97	14.00	18.00	15.00	6.00	4
25	29.80	7.90	24.51	16.00	20.50	17.50	6.00	4
31	33.60	7.90	28.32	17.00	23.80	20.80	6.00	5
37	37.40	7.90	32.13	18.00	27.60	24.60	6.00	6
51-2R	46.35	7.90	41.02	22.00	33.00	30.00	6.00	8
51	36.15	8.90	30.86	19.00	26.40	23.40	7.00	6

### Description and Part Numbers

Shell Finish	Contact Size	ESA/ESCC Description	C&K PN
 Electroless Nickel	9	340108715B	C115366-1039D
	15	340108716B	C115366-1040D
	21	340108717B	C115366-1041D
	25	340108718B	C115366-1042D
	31	340108719B	C115366-1043D
	37	340108720B	C115366-1044D
	51-2R	340108775B	C115366-1916D
 Gold	51	340108721B	C115366-1045D
	9	340108722B	C115366-1039C
	15	340108723B	C115366-1040C
	21	340108724B	C115366-1041C
	25	340108725B	C115366-1042C
	31	340108726B	C115366-1043C
	37	340108727B	C115366-1044C
	51-2R	340108776B	C115366-1916C
	51	340108728B	C115366-1045C

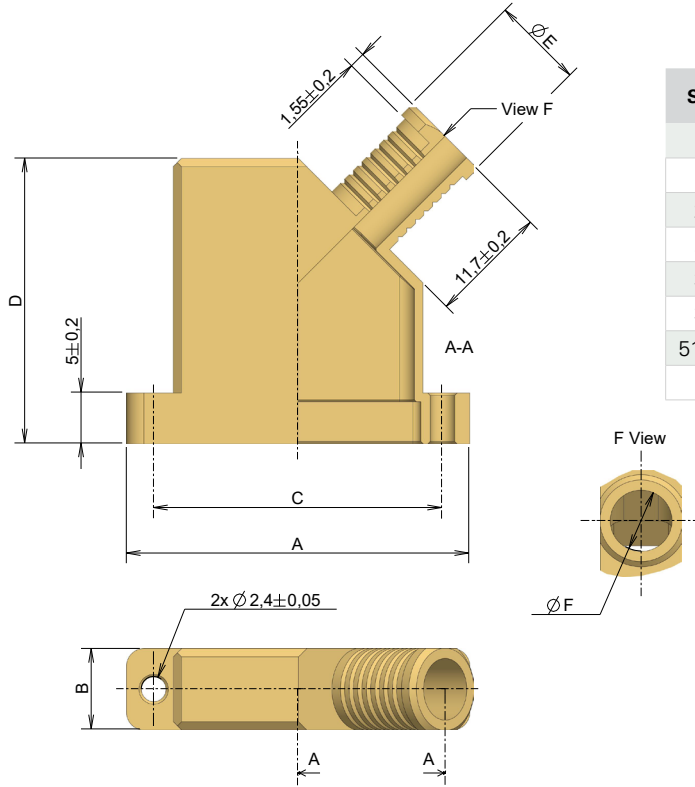
# MDM Backshell Series

ESA/ESCC Certified  
ESAQ Backshell for Micro-D Connectors

## MDM Lightweight Backshell 45° Circular Entry

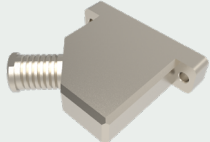
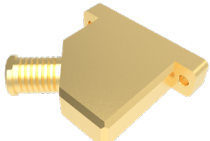
Our design accepts right or left mounting

### Dimensions and Weight



Size	A ±0.2	B ±0.2	C ±0.1	D ±0.2	ØE ±0.2	ØF ±0.2	Weight (grams)
9	19.65	7.90	14.35	21.00	8.30	5.30	3
15	23.45	7.90	18.16	23.00	9.00	6.00	4
21	27.25	7.90	21.97	24.00	9.00	6.00	4
25	29.80	7.90	24.51	27.00	9.00	6.00	5
31	33.60	7.90	28.32	28.00	9.00	6.00	5
37	37.40	7.90	32.13	29.00	9.00	6.00	6
51-2R	46.35	7.90	41.02	34.90	9.00	6.00	9
51	36.15	8.90	30.86	30.00	10.00	7.00	6

### Description and Part Numbers

Shell Finish	Contact Size	ESA/ESCC Description	C&K PN
 Electroless Nickel	9	340108729B	C115366-1046D
	15	340108730B	C115366-1047D
	21	340108731B	C115366-1048D
	25	340108732B	C115366-1049D
	31	340108733B	C115366-1050D
	37	340108734B	C115366-1051D
	51-2R	340108777B	C115366-1918D
	51	340108735B	C115366-1052D
 Gold	9	340108736B	C115366-1046C
	15	340108737B	C115366-1047C
	21	340108738B	C115366-1048C
	25	340108739B	C115366-1049C
	31	340108740B	C115366-1050C
	37	340108741B	C115366-1051C
	51-2R	340108778B	C115366-1918C
	51	340108742B	C115366-1052C

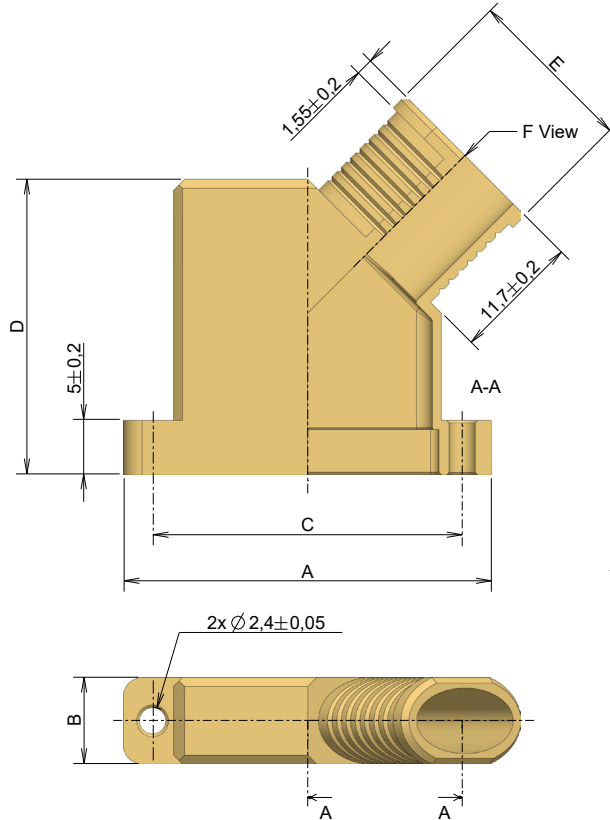
# MDM Backshell Series

ESA/ESCC Certified  
ESAQ Backshell for Micro-D Connectors

## MDM Lightweight Backshell 45° Elliptical Entry

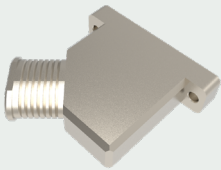
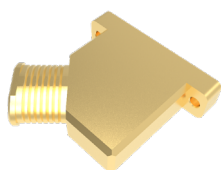
Our design accepts right or left mounting

### Dimensions and Weight



Size	A $\pm 0.2$	B $\pm 0.2$	C $\pm 0.1$	D $\pm 0.2$	E $\pm 0.2$	F $\pm 0.2$	G $\pm 0.2$	Weight (grams)
9	19.65	7.90	14.35	21.00	8.00	5.00	6.00	3
15	23.45	7.90	18.16	23.00	10.50	7.50	6.00	4
21	27.25	7.90	21.97	24.00	12.50	9.50	6.00	5
25	29.80	7.90	24.51	27.00	13.80	10.80	6.00	5
31	33.60	7.90	28.32	28.00	15.50	12.50	6.00	6
37	37.40	7.90	32.13	29.00	18.00	15.00	6.00	6
51-2R	46.35	7.90	41.02	34.90	21.00	18.00	6.00	9
51	36.15	8.90	30.86	30.00	20.00	17.00	7.00	7

### Description and Part Numbers

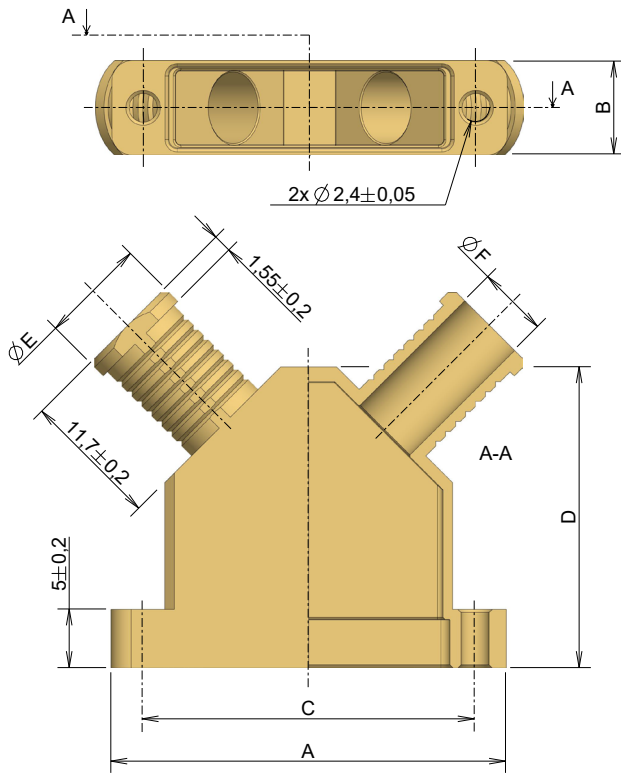
Shell Finish	Contact Size	ESA/ESCC Description	C&K PN
 Electroless Nickel	9	340108743B	C115366-1053D
	15	340108744B	C115366-1054D
	21	340108745B	C115366-1055D
	25	340108746B	C115366-1056D
	31	340108747B	C115366-1057D
	37	340108748B	C115366-1058D
	51-2R	340108779B	C115366-1919D
	51	340108749B	C115366-1059D
 Gold	9	340108750B	C115366-1053C
	15	340108751B	C115366-1054C
	21	340108752B	C115366-1055C
	25	340108753B	C115366-1056C
	31	340108754B	C115366-1057C
	37	340108755B	C115366-1058C
	51-2R	340108780B	C115366-1919C
	51	340108756B	C115366-1059C

# MDM Backshell Series

ESA/ESCC Certified  
ESAQ Backshell for Micro-D Connectors

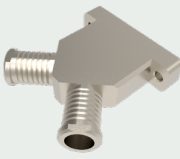
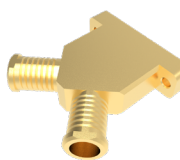
## MDM Lightweight Backshell Dual 45° Circular Entry

### Dimensions and Weight



Size	A ±0.2	B ±0.2	C ±0.1	D ±0.2	ØE ±0.2	ØF ±0.2	Weight (grams)
9	19.65	7.90	14.35	20.5	7.00	4.00	4
15	23.45	7.90	18.16	22.5	8.00	5.00	5
21	27.30	7.90	21.97	23.5	9.00	6.00	5
25	29.85	7.90	24.51	25.7	9.00	6.00	6
31	33.65	7.90	28.32	25.7	9.00	6.00	6
37	37.45	7.90	32.13	26.7	9.00	6.00	7
51-2R	46.35	7.90	41.02	24.55	9.00	6.00	7
51	36.20	8.90	30.86	28	10.00	7.00	7

### Description and Part Numbers

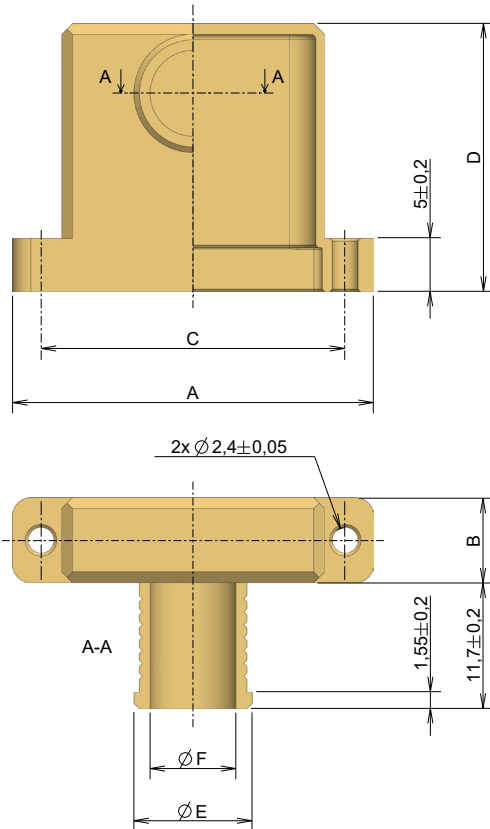
Shell Finish	Contact Size	ESA/ESCC Description	C&K PN
 Electroless Nickel	9	340108781B	C115366-1900D
	15	340108782B	C115366-1901D
	21	340108783B	C115366-1902D
	25	340108784B	C115366-1903D
	31	340108785B	C115366-1904D
	37	340108786B	C115366-1905D
	51-2R	340108787B	C115366-1906D
 Gold	51	340108788B	C115366-1907D
	9	340108789B	C115366-1900C
	15	340108790B	C115366-1901C
	21	340108791B	C115366-1902C
	25	340108792B	C115366-1903C
	31	340108793B	C115366-1904C
	37	340108794B	C115366-1905C
	51-2R	340108795B	C115366-1906C
	51	340108796B	C115366-1907C

# MDM Backshell Series

ESA/ESCC Certified  
ESAQ Backshell for Micro-D Connectors

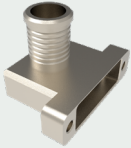
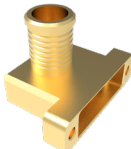
## MDM Lightweight Backshell 90° Front Circular Entry

### Dimensions and Weight



Size	A ±0.2	B ±0.2	C ±0.1	D ±0.2	ØE ±0.2	ØF ±0.2	Weight (grams)
9	19.65	7.90	14.35	20	8.00	5.00	4
15	23.45	7.90	18.16	20	9.00	6.00	4
21	27.30	7.90	21.97	20	10.00	7.00	5
25	29.85	7.90	24.51	20	10.50	7.50	5
31	33.65	7.90	28.32	25	11.00	8.00	6
37	37.45	7.90	32.13	25	12.00	9.00	7
51-2R	46.35	7.90	41.02	25	13.50	10.50	8
51	36.20	8.90	30.86	25	13.50	10.50	7

### Description and Part Numbers

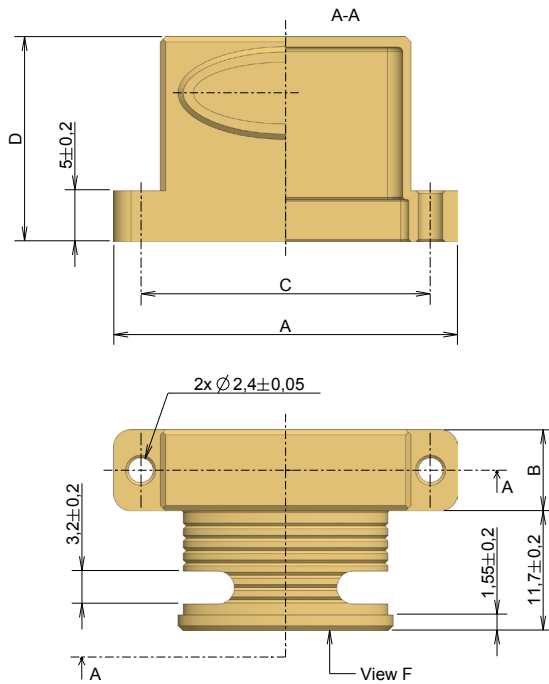
Shell Finish	Contact Size	ESA/ESCC Description	C&K PN
 Electroless Nickel	9	340108797B	C115366-1908D
	15	340108798B	C115366-1909D
	21	340108799B	C115366-1910D
	25	3401087100B	C115366-1911D
	31	3401087101B	C115366-1912D
	37	3401087102B	C115366-1913D
	51-2R	3401087103B	C115366-1914D
	51	3401087104B	C115366-1915D
 Gold	9	3401087105B	C115366-1908C
	15	3401087106B	C115366-1909C
	21	3401087107B	C115366-1910C
	25	3401087108B	C115366-1911C
	31	3401087109B	C115366-1912C
	37	3401087110B	C115366-1913C
	51-2R	3401087111B	C115366-1914C
	51	3401087112B	C115366-1915C

# MDM Backshell Series

ESA/ESCC Certified  
ESAQ Backshell for Micro-D Connectors

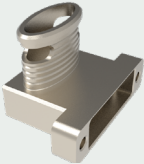

## MDM Lightweight Backshell 90° Front Elliptical Entry

### Dimensions and Weight



Size	A ±0.2	B ±0.2	C ±0.1	D ±0.2	E ±0.2	F ±0.2	G ±0.2	H ±0.2	Weight (grams)
9	19.65	7.90	14.35	20	7.00	5.00	10.00	8.00	4
15	23.45	7.90	18.16	20	6.00	8.50	9.00	11.50	4
21	27.30	7.90	21.97	20	6.00	12.00	9.00	15.00	5
25	29.85	7.90	24.51	20	6.00	15.00	9.00	18.00	5
31	33.65	7.90	28.32	20	6.00	18.00	9.00	21.00	6
37	37.45	7.90	32.13	20	6.00	22.00	9.00	25.00	6
51-2R	46.35	7.90	41.02	23	7.00	27.00	10.00	30.00	8
51	36.20	8.90	30.86	23	8.00	21.00	11.00	24.00	7

### Description and Part Numbers

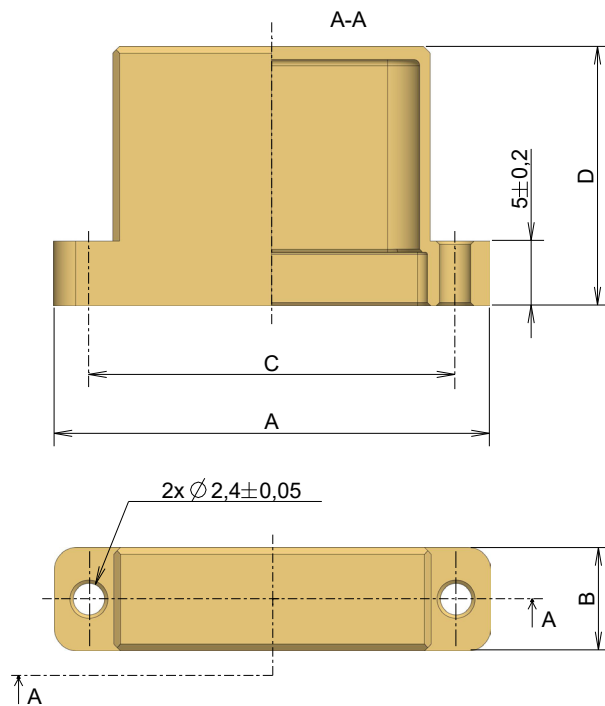
Shell Finish	Contact Size	ESA/ESCC Description	C&K PN
 Electroless Nickel	9	3401087113B	C115366-1920D
	15	3401087114B	C115366-1921D
	21	3401087115B	C115366-1922D
	25	3401087115B	C115366-1923D
	31	3401087117B	C115366-1924D
	37	3401087118B	C115366-1925D
	51-2R	3401087119B	C115366-1926D
	51	3401087120B	C115366-1927D
 Gold	9	3401087121B	C115366-1920C
	15	3401087122B	C115366-1921C
	21	3401087123B	C115366-1922C
	25	3401087124B	C115366-1923C
	31	3401087125B	C115366-1924C
	37	3401087126B	C115366-1925C
	51-2R	3401087127B	C115366-1926C
	51	3401087128B	C115366-1927C

# MDM Backshell Series

ESA/ESCC Certified  
ESAQ Backshell for Micro-D Connectors

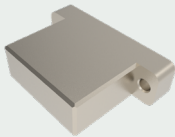
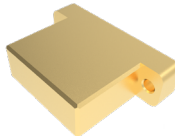
## MDM Lightweight Backshell Closed Shorting Can

### Dimensions and Weight



Size	A ±0.2	B ±0.2	C ±0.1	D ±0.2	Weight (grams)
9	19.65	7.90	14.35	20	3
15	23.45	7.90	18.16	20	4
21	27.30	7.90	21.97	20	4
25	29.85	7.90	24.51	20	4
31	33.65	7.90	28.32	20	4
37	37.45	7.90	32.13	20	4
51-2R	46.35	7.90	41.02	20	6
51	36.20	8.90	30.86	20	5

### Description and Part Numbers

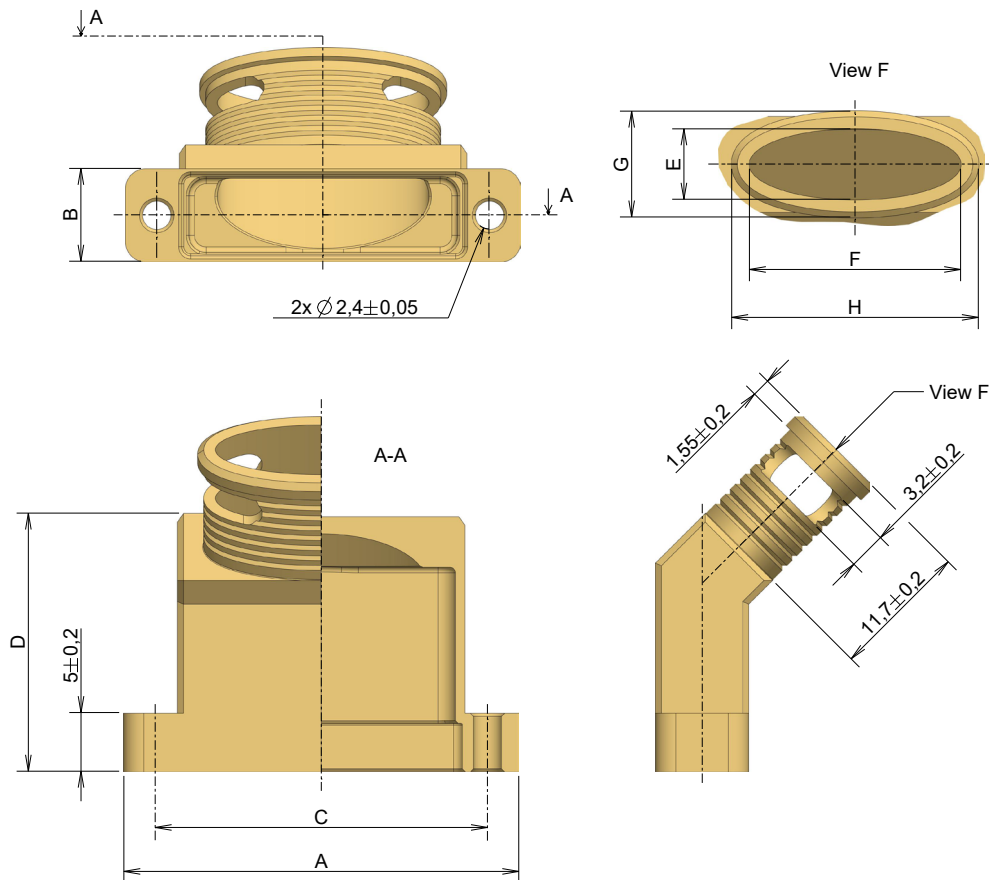
Shell Finish	Contact Size	ESA/ESCC Description	C&K PN
 Electroless Nickel	9	3401087129B	C115366-1928D
	15	3401087130B	C115366-1929D
	21	3401087131B	C115366-1930D
	25	3401087132B	C115366-1931D
	31	3401087133B	C115366-1932D
	37	3401087134B	C115366-1933D
	51-2R	3401087135B	C115366-1934D
	51	3401087136B	C115366-1935D
 Gold	9	3401087137B	C115366-1928C
	15	3401087138B	C115366-1929C
	21	3401087139B	C115366-1930C
	25	3401087140B	C115366-1931C
	31	3401087141B	C115366-1932C
	37	3401087142B	C115366-1933C
	51-2R	3401087143B	C115366-1934C
	51	3401087144B	C115366-1935C

# MDM Backshell Series

ESA/ESCC Certified  
ESAQ Backshell for Micro-D Connectors

## MDM Lightweight Backshell 45° Front Elliptical Entry

### Dimensions and Weight

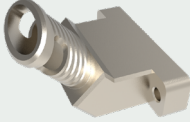
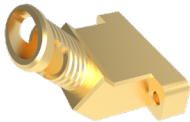


Size	A $\pm 0.2$	B $\pm 0.2$	C $\pm 0.1$	D $\pm 0.2$	E $\pm 0.2$	F $\pm 0.2$	G $\pm 0.2$	H $\pm 0.2$	Weight (grams)
9	19.65	7.90	14.35	20	6.00	6.00	9.00	9.00	4
15	23.45	7.90	18.16	20	6.00	8.50	9.00	11.50	4
21	27.30	7.90	21.97	20	6.00	12.00	9.00	15.00	5
25	29.85	7.90	24.51	20	6.00	15.00	9.00	18.00	5
31	33.65	7.90	28.32	22	6.00	18.00	9.00	21.00	7
37	37.45	7.90	32.13	22	6.00	22.00	9.00	25.00	7
51-2R	46.35	7.90	41.02	22	6.00	27.00	9.00	30.00	9
51	36.20	8.90	30.86	22	6.00	21.00	9.00	24.00	8

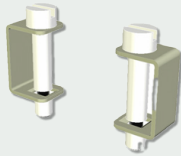
# MDM Backshell Series

ESA/ESCC Certified  
ESAQ Backshell for Micro-D Connectors

## Description and Part Numbers

Shell Finish	Contact Size	ESA/ESCC Description	C&K PN
 Electroless Nickel	9	3401087145B	C115366-1936D
	15	3401087146B	C115366-1937D
	21	3401087147B	C115366-1938D
	25	3401087148B	C115366-1939D
	31	3401087149B	C115366-1940D
	37	3401087150B	C115366-1941D
	51-2R	3401087151B	C115366-1942D
	51	3401087152B	C115366-1943D
 Gold	9	3401087153B	C115366-1936C
	15	3401087154B	C115366-1937C
	21	3401087155B	C115366-1938C
	25	3401087156B	C115366-1939C
	31	3401087157B	C115366-1940C
	37	3401087158B	C115366-1941C
	51-2R	3401087159B	C115366-1942C
	51	3401087160B	C115366-1943C

## Accessories

Male Screwlock Assembly	ESA/ESCC Description	C&K PN
	340103218B	C115366-1060C

**Disclaimer Notice** - Information furnished is believed to be accurate and reliable. However, users should independently evaluate the suitability of and test each product selected for their own applications. Littelfuse products are not designed for, and may not be used in, all applications. Read complete Disclaimer Notice at <http://www.littelfuse.com/disclaimer-electronics>.