

MLSM-4 15.2mm Surface Mount Reed Switch



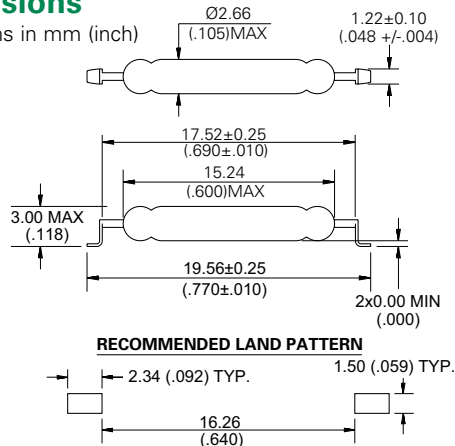
Agency Approvals

| Agency | Agency File Number | Ampere-Turns Range |
|--------|--------------------|--------------------|
| | E47258 E471070 | 17-38 AT |

Note: Contact Littelfuse for specific agency approval ratings.

Dimensions

Dimensions in mm (inch)



Note: Land pattern is Littelfuse recommendation only. User is responsible for proper PCB design.

Electrical Ratings

| | | | |
|-----------------------------|--------------------------------|-------------|------------------|
| Contact Rating ¹ | | W/VA - max. | 20 |
| Voltage ³ | Switching ² | Vdc - max. | 200 |
| | Breakdown ⁴ | Vac - max. | 140 |
| | | Vdc - min. | 250 |
| Current ³ | Switching ² | Adc - max. | 1.0 |
| | Carry | Aac - max. | 0.7 |
| | | Adc - max. | 1.0 |
| Resistance | Contact, Initial Insulation | Ω - max. | 0.10 |
| | | Ω - min. | 10 ¹⁰ |
| Capacitance | Contact | pF - typ. | 0.4 |
| Temperature | Operating Storage ⁵ | °C | -40 to +125 |
| | | °C | -65 to +125 |

Notes:

- Contact rating - Product of the switching voltage and current should never exceed the wattage rating. Contact Littelfuse for additional load/life information.
- When switching inductive and/or capacitive loads, the effects of transient voltages and/or currents should be considered. Refer to Application Notes AN108A and AN107 for details.
- Electrical Load Life Expectancy - Contact Littelfuse with voltage, current values along with type of load.
- Breakdown Voltage - per MIL-STD-202, Method 301.
- Storage Temperature - Long time exposure at elevated temperature may degrade solderability of the leads.

Description

The MLSM-4 Reed Switch is a miniature, surface mounting, normally open switch with a 15.24mm long x 2.66mm diameter (0.600" x 0.105") glass envelope. It is capable of switching 200Vdc at 20W with close differential (CD) characteristics.

This reed switch is the surface mount version of the MLRR-4. It has high insulation resistance of 10¹⁰ ohms minimum and contact resistance less than 100 milli-ohms. It can handle lamp loads up to 2W @ 14V with no suppression circuitry.

Features

- Surface mount, normally open switch
- Capable of switching 200Vdc or 1A at up to 20W
- Available sensitivity 17-38 AT
- Close differential AT between the PI and DO value.
- Capable of switching small Incandescent lamp loads

Benefits

- Hermetically sealed switch contacts are not affected by and have no effect on their external environment
- Excellent for switching microcontroller logic level loads
- Zero operating power required for contact closure

Applications

- Position Sensing
- Level sensing
- Security
- Office Equipment
- Light inductive loads
- Lamp Loads up to 2W @ 14V

Switch Type

| | |
|--------------|---|
| Contact Form | A (SPST-NO) |
| Materials | Body: Glass Leads: Tin-plated Ni-Fe wire |

Note: SPST-NO = Single-pole, single-throw, normally open

MLSM-4 15.2mm Surface Mount Reed Switch

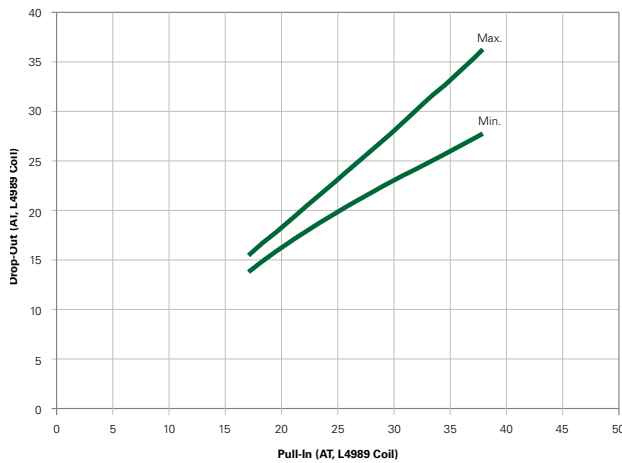
Product Characteristics

| Operating Characteristics | | |
|---------------------------------|--------------------|---------------|
| Operate Time ¹ | | 0.7ms - max. |
| Release Time ¹ | | 0.2ms - max. |
| Shock ² | 11ms 1/2 sine wave | 100G - max. |
| Vibration ² | 50-2000 Hertz | 30G - max. |
| Resonant Frequency | | 6.0kHz - typ. |
| Magnetic Characteristics | | |
| Pull-In Range ³ | Ampere Turns | 17-38 |
| Rating Sensitivity ⁴ | Ampere Turns | 20 |
| Test Coil | | L4989 |

Notes:

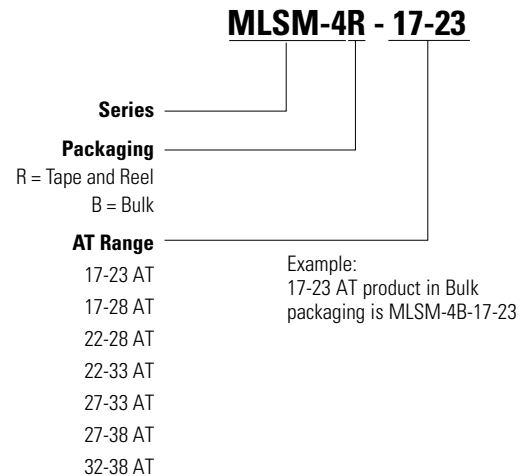
- Operate (including bounce)/Release Time - per EIA/NARM RS-421-A, diode suppressed coil (Coil II).
- Shock and Vibration - per EIA/NARM RS-421-A and MIL-STD-202.
- Pull-In Range - Contact Littelfuse for narrower AT ranges available. These AT values are the before modification AT of the MLRR-4.
- Rating Sensitivity - The value at which contact ratings and operating characteristics are determined. Derating may be required below this value.

Drop-Out vs. Pull-In Chart



Note: Chart represents the range of Drop-Out, min to max, for a given Pull-in value of the MLRR-4 prior to modification into the MLSM-4.

Part Numbering System



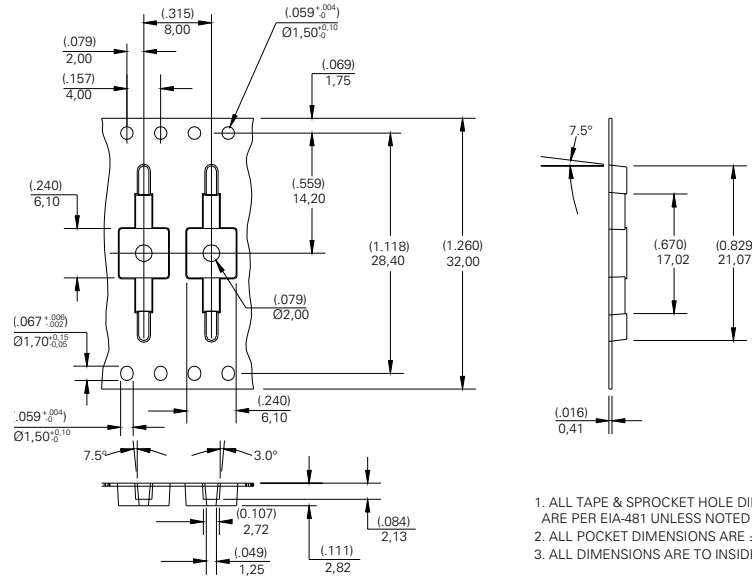
Note: These AT values are the before-modification values of the bare reed switch.

Packaging

| Packaging Option | Packaging Specification | Quantity | Quantity and Packaging Code | Taping Width |
|------------------|-------------------------|----------|-----------------------------|--------------|
| Tape and Reel | EIA-RS-481-1 | 3000 | R | 32mm |
| Bulk | N/A | 200 | B | N/A |

MLSM-4 15.2mm Surface Mount Reed Switch

TAPE DIMENSIONS mm (inch)



1. ALL TAPE & SPROCKET HOLE DIMENSIONS ARE PER EIA-481 UNLESS NOTED
2. ALL POCKET DIMENSIONS ARE ±(.004") 0,10mm
3. ALL DIMENSIONS ARE TO INSIDE OF POCKET

REEL DIMENSIONS mm (inch)

