

# MDSM-10

## 10.2mm Sub-miniature Surface Mount



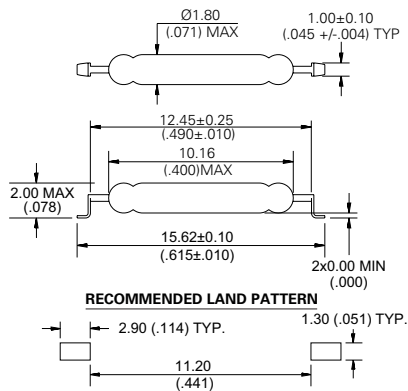
### Agency Approvals

Agency	Agency File Number	Ampere-Turns Range
	E47258 E471070	10-25 AT

**Note:** Contact Littelfuse for specific agency approval ratings.

### Dimensions

Dimensions in mm (inch)



**Note:** Land pattern is Littelfuse recommendation only. User is responsible for proper PCB design.

### Description

The MDSM-10 Reed Switch is a sub-miniature, surface mounting, normally open switch with a 10.16mm long x 1.80mm diameter (0.400" x 0.071") glass envelope, capable of switching 200Vdc at 10W.

This reed switch is a surface mount version of the MDSR-10. It has high insulation resistance of 10<sup>12</sup> ohms minimum and low contact resistance of less than 120milli-ohms.

### Features & Benefits

- Surface mounting normally open switch
- Capable of switching 200Vdc or 0.5A at up to 10W
- Low, stable contact resistance
- Available sensitivity 10-25 AT
- Hermetically sealed switch contacts are not affected by
- and have no effect on their external environment
- Low space requirement
- Zero operating power required for contact closure
- Excellent for switching microcontroller logic level loads

### Applications

- Position Sensing
- Level Sensing
- Security
- Metering

### Switch Type

<b>Contact Form</b>	A (SPST-NO)
<b>Materials</b>	Body: Glass Leads: Tin-plated Ni-Fe wire

**Note:** SPST-NO = Single-pole, single-throw, normally open

### Electrical Ratings

<b>Contact Rating</b> <sup>1</sup>		W/VA - max.	10
<b>Voltage</b> <sup>3</sup>	Switching <sup>2</sup>	Vdc - max.	200
	Breakdown <sup>4</sup>	Vac - max.	140
<b>Current</b> <sup>3</sup>	Switching <sup>2</sup>	Vdc - min.	250
		Adc - max.	0.50
	Carry	Aac - max.	0.35
<b>Resistance</b>	Contact, Initial Insulation	Adc - max.	1.00
		Ω - max.	0.12
<b>Capacitance</b>	Contact	Ω - min.	10 <sup>12</sup>
		pF - typ.	0.2
<b>Temperature</b>	Operating	°C	-40 to +125
	Storage <sup>5</sup>	°C	-65 to +125

**Notes:**

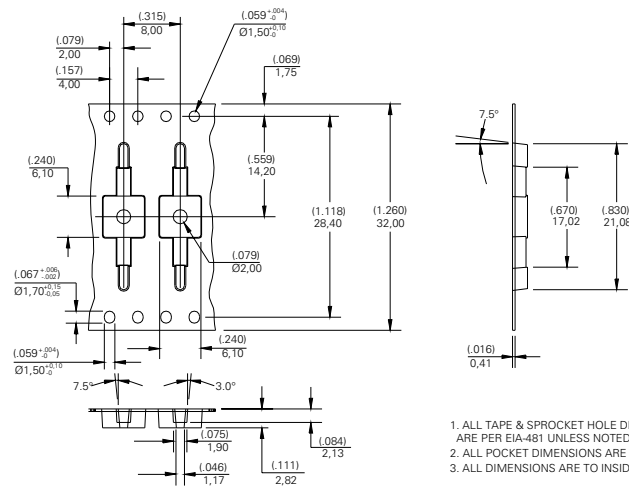
1. Contact rating - Product of the switching voltage and current should never exceed the wattage rating. Contact Littelfuse for additional load/life information.
2. When switching inductive and/or capacitive loads, the effects of transient voltages and/or currents should be considered. Refer to Application Notes AN108A and AN107 for details.
3. Electrical Load Life Expectancy - Contact Littelfuse with voltage, current values along with type of load.
4. Breakdown Voltage - per MIL-STD-202, Method 301.
5. Storage Temperature - Long time exposure at elevated temperature may degrade solderability of the leads.



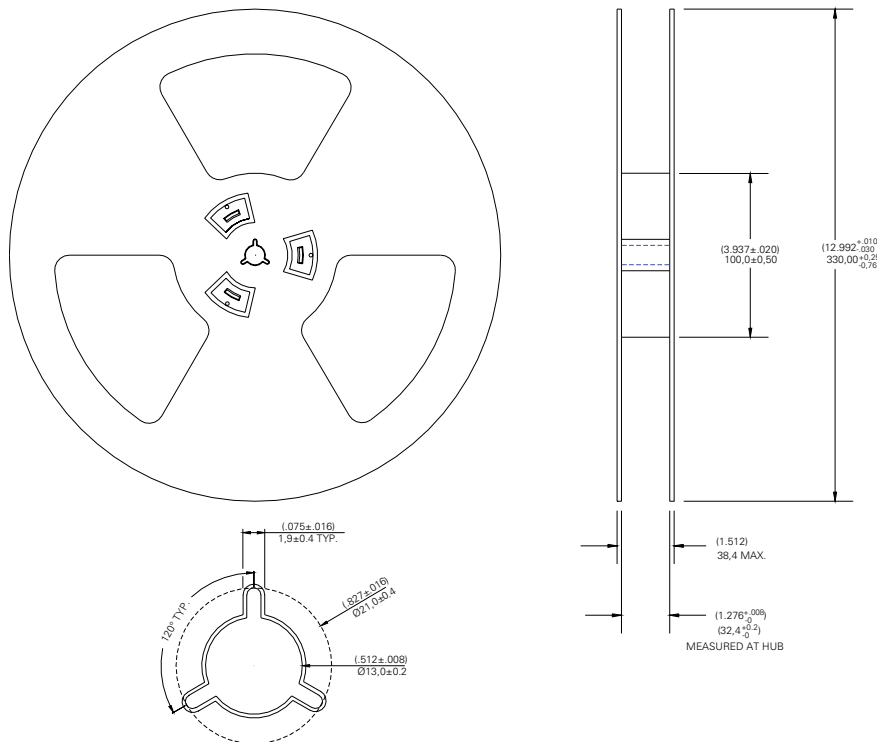
# MDSM-10

## 10.2mm Sub-miniature Surface Mount

### TAPE DIMENSIONS mm (inch)



### REEL DIMENSIONS mm (inch)



**Disclaimer Notice** - Information furnished is believed to be accurate and reliable. However, users should independently evaluate the suitability of and test each product selected for their own applications. Littelfuse products are not designed for, and may not be used in, all applications. Read complete Disclaimer Notice at: [www.littelfuse.com/disclaimer-electronics](http://www.littelfuse.com/disclaimer-electronics).