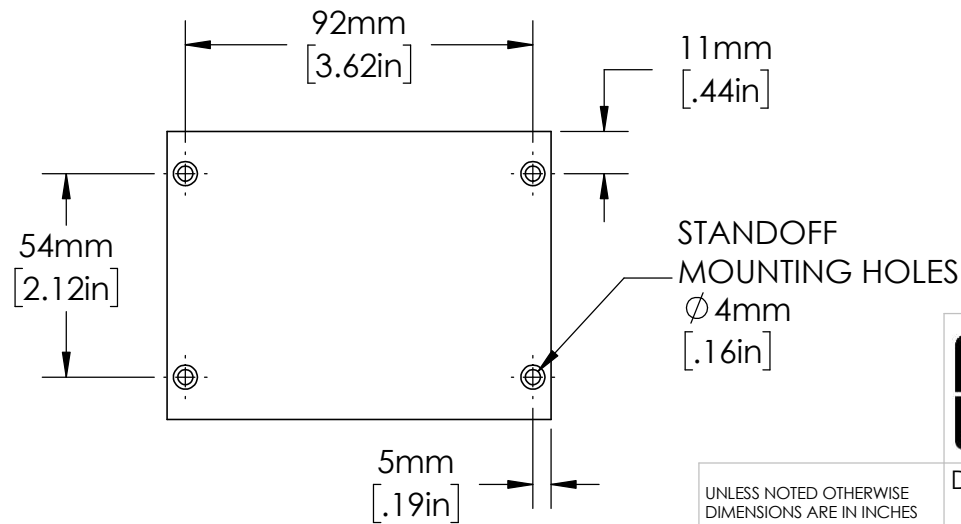
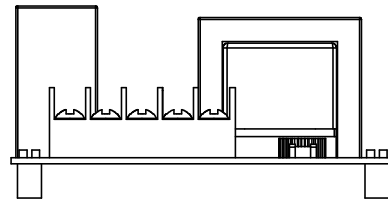
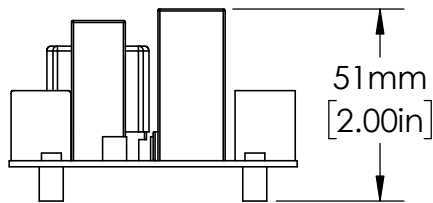
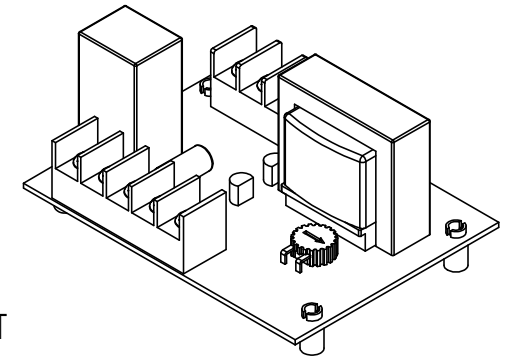


SENSITIVITY
ADJUSTMENT
KNOB



11mm
[.44in]

STANDOFF
MOUNTING HOLES

Ø 4mm
[.16in]

5mm
[.19in]

UNLESS NOTED OTHERWISE
DIMENSIONS ARE IN INCHES
TOLERANCES:
TWO PLACE DECIMAL ±0.05
NOT DRAWN TO SCALE

MATERIAL	
NAME	DATE
DRAWN BY J.MOLER 05/04/23	



DESCRIPTION: PUMP AND LIQUID
LEVEL CONTROL

PART NUMBER: LLC24A2AN REV A

WEIGHT: SHEET 1 OF 1