

PART NUMBER

LPBC13

REVISION

REV

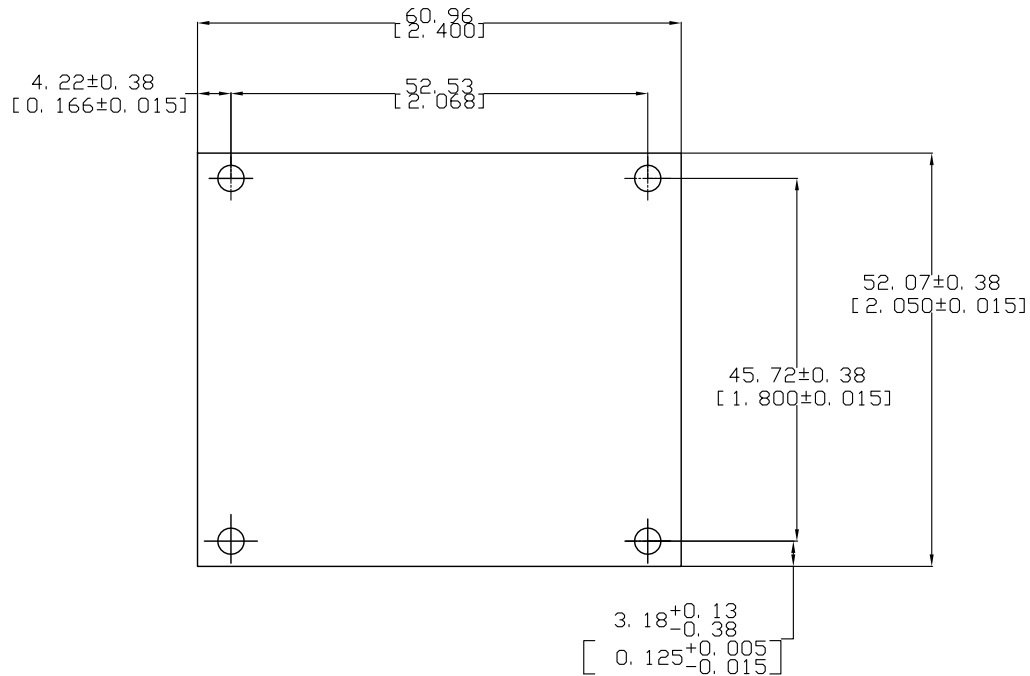
DATE

DESCRIPTION

A

4/22/16

515747GCP - RELEASE PER EM2806 MRY



NOTES

- MATERIAL-CLEAR POLYCARBONATE 1.52 [0.06] THICK
UL RECOGNIZED QMFZ2, RTI-125%, FLAMMABILITY V-2
- EACH COVER INCLUDES (4) #4 SELF TAPPING SCREWS

TOLERANCE (UNLESS OTHERWISE SPECIFIED):

- PLACE ± 2.5 mm [0.1]
- PLACE ± 0.76 mm [0.03]
- PLACE ± 0.381 mm [0.015]

NO	COMPONENT NO	DESCRIPTION	QTY/M	U/M
----	--------------	-------------	-------	-----

BILL OF MATERIAL

●	DENOTES CRITICAL CHARACTERISTICS.
CPK	DENOTES CPK DIMENSIONS, -MINIMUM CPK VALUE
ST	DENOTES A CHARACTERISTIC THAT PROVIDES AN INDICATION OF PROCESS PERFORMANCE. PROCEDURE FOR MEASUREMENT AND TRACKING TO BE DEFINED IN LITTELFUSE INSPECTION INSTRUCTIONS.
CP	DENOTES CP DIMENSIONS, -MINIMUM CP VALUE MUST BE WITHIN THE DIMENSIONAL LIMITATIONS SHOWN ON DRAWING AND INITIALLY LOCATED TO ALLOW FOR MAXIMUM TOOL LIFE.

A

MATL SPEC

FINISH

DRW
M. YORKDATE
1/5/2016SCALE
NTS

FINISH GOOD WT

GRAMS/PIECE

UNLESS OTHERWISE SPECIFIED, DIMENSIONS ARE IN MILLIMETERS, DIMENSIONS IN BRACKETS [] ARE INCHES DIMENSIONING AND DO NOT INCLUDE PLATING. TOLERANCING TO BE INTERPRETED IN ACCORDANCE WITH ANSI Y14.5M-1994

3RD ANGLE
PROJECTION

TITLE

POWER BLOCK COVER OUTLINE

Littelfuse[®]
CHICAGO, ILLINOIS 60631

REVISION

A

DRWG NO.

OL-LPBC13

SHEET 1 OF 1